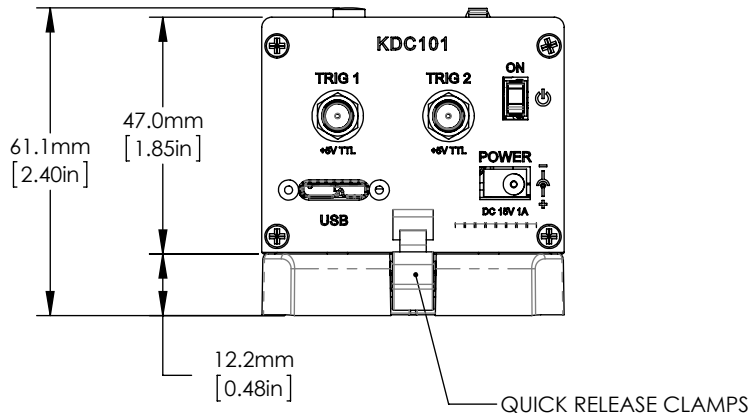
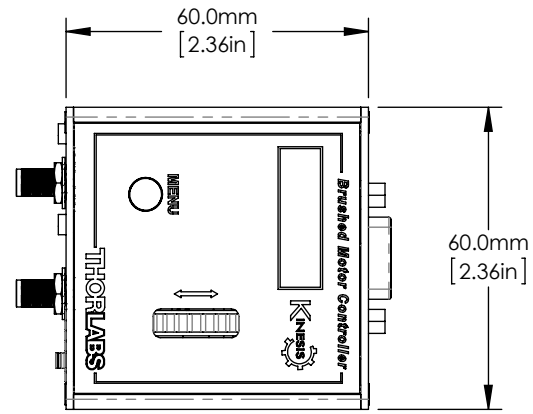
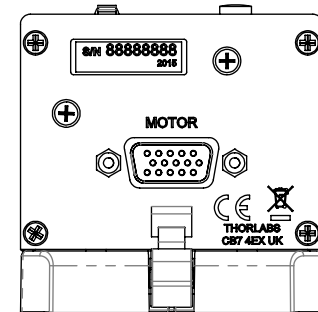
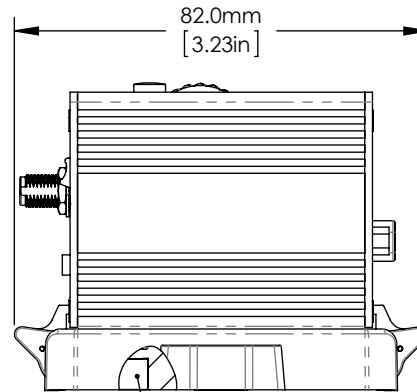


ADAPTER PLATE



MAGNET FOR BRIEF PLACEMENT



FOR INFORMATION ONLY
NOT FOR MANUFACTURING PURPOSES

DRAWING PROJECTION			THORLABS www.thorlabs.com	
NAME	DATE	KINESIS BRUSHED MOTOR CONTROLLER		
DRAWN	02/FEB/16	MATERIAL	REV A	
APPROVAL	02/FEB/16	N/A		
COPYRIGHT © 2015 BY THORLABS		ITEM #	APPROX WEIGHT	
VALUES IN PARENTHESIS ARE CALCULATED AND MAY CONTAIN ROUND OFF ERRORS		KDC101	0.17 kg	