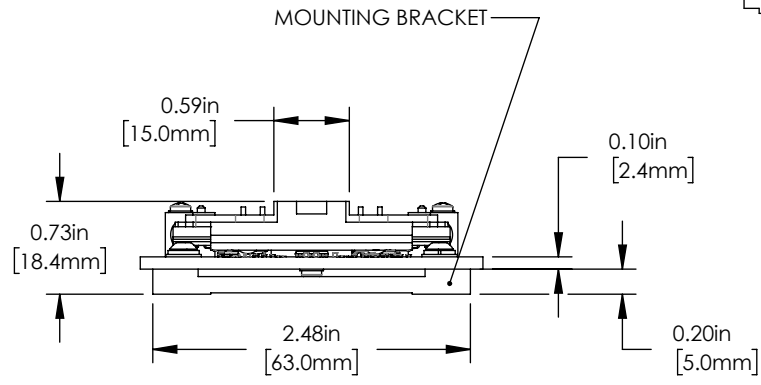
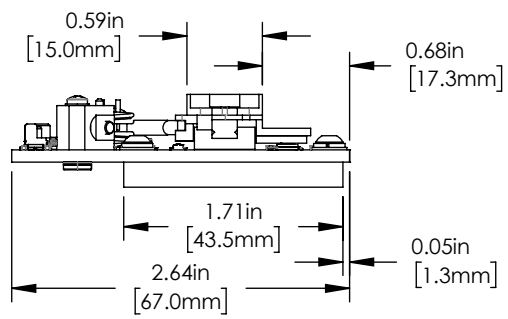
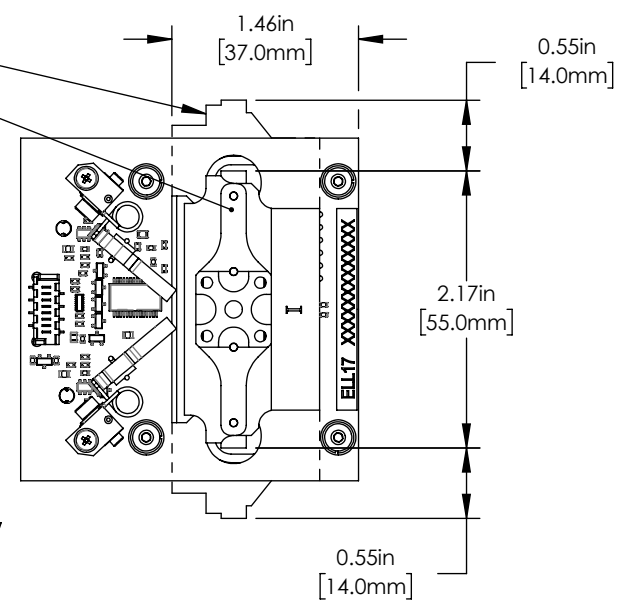
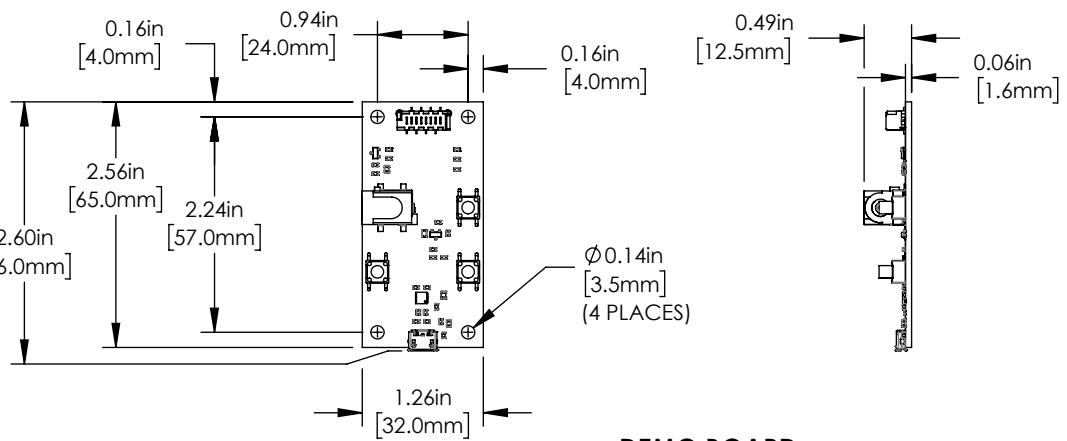
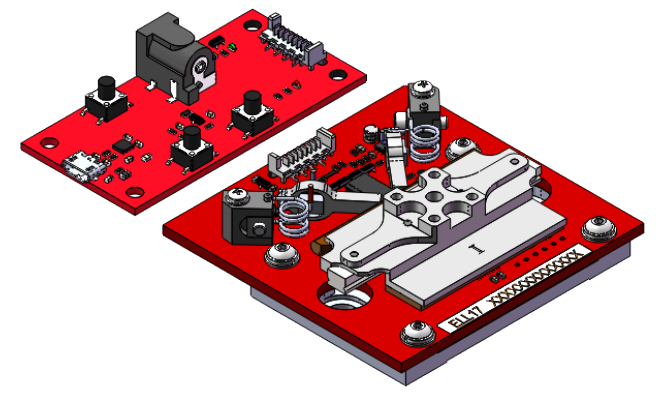


TOP PLATE AT MAXIMUM TRANSLATION
TOP PLATE IS SHOWN IN MID POSITION



LINEAR STAGE



DEMO BOARD

FOR INFORMATION ONLY
NOT FOR MANUFACTURING PURPOSES

DRAWING PROJECTION				THORLABS www.thorlabs.com	
NAME	DATE	28mm TRANSLATION STAGE KIT		MATERIAL	
DRAWN SP	14/NOV/18			REV A	
APPROVAL DG	14/NOV/18			N/A	
COPYRIGHT © 2019 BY THORLABS				ITEM #	APPROX WEIGHT
VALUES IN PARENTHESIS ARE CALCULATED AND MAY CONTAIN ROUND OFF ERRORS				ELL17K	0.087 kg