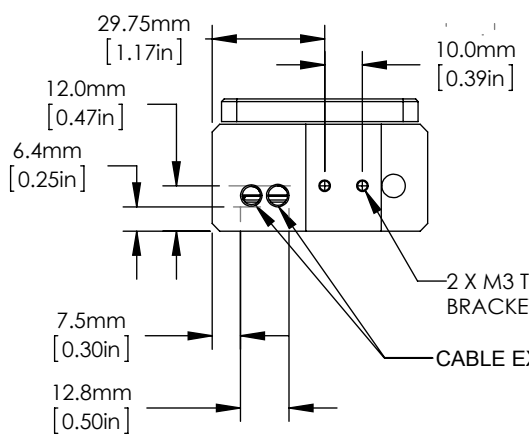
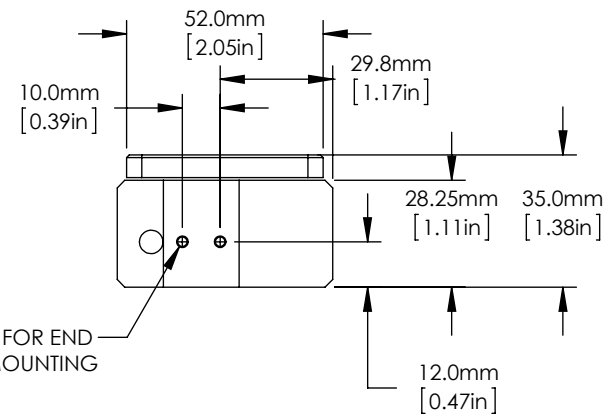
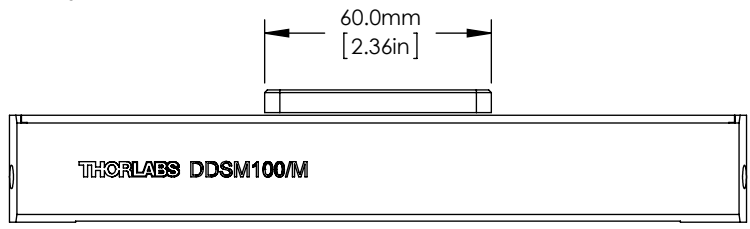


2 x SLOT FOR M6 (1/4-20) CAP SCREW

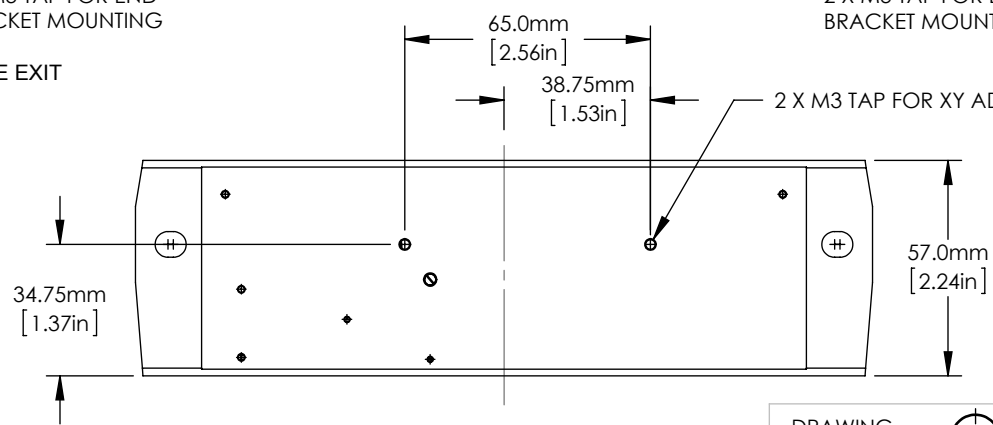
6 X M6 TAP  
10 X M4 TAP



2 X M3 TAP FOR END BRACKET MOUNTING  
CABLE EXIT



2 X M3 TAP FOR END BRACKET MOUNTING



2 X M3 TAP FOR XY ADAPTER MOUNTING

FOR INFORMATION ONLY  
NOT FOR MANUFACTURING PURPOSES

DRAWING PROJECTION		
NAME	DATE	
DRAWN SF	17/MAY/13	
APPROVAL MR	17/MAY/13	
COPYRIGHT © 2011 BY THORLABS		
VALUES IN PARENTHESIS ARE CALCULATED AND MAY CONTAIN ROUND OFF ERRORS		

<b>THORLABS</b> www.thorlabs.com	
DDSM100/M LINEAR STAGE	
MATERIAL	REV B
ITEM #	APPROX WEIGHT
DDSM100/M	0.72 kg
N/A	