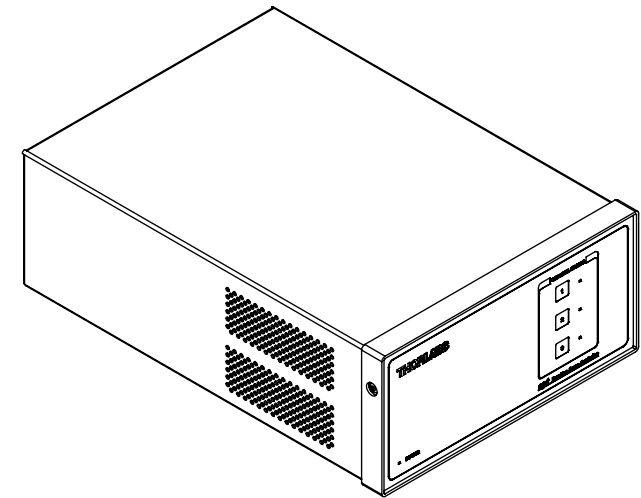


REAR PANEL VIEW



FOR INFORMATION ONLY  
NOT FOR MANUFACTURING PURPOSES

DRAWING PROJECTION				<b>THORLABS</b> www.thorlabs.com	
NAME	DATE	2 CH INTEGRATED BRUSHLESS DC CONTROLLER			
DRAWN	SP	27/APR/12	MATERIAL		REV
APPROVAL	XX	XX/XX/XX			1
COPYRIGHT © 2011 BY THORLABS					
VALUES IN PARENTHESIS ARE CALCULATED AND MAY CONTAIN ROUND OFF ERRORS					
ITEM #		BBD202		APPROX WEIGHT	
				5.4 kg	