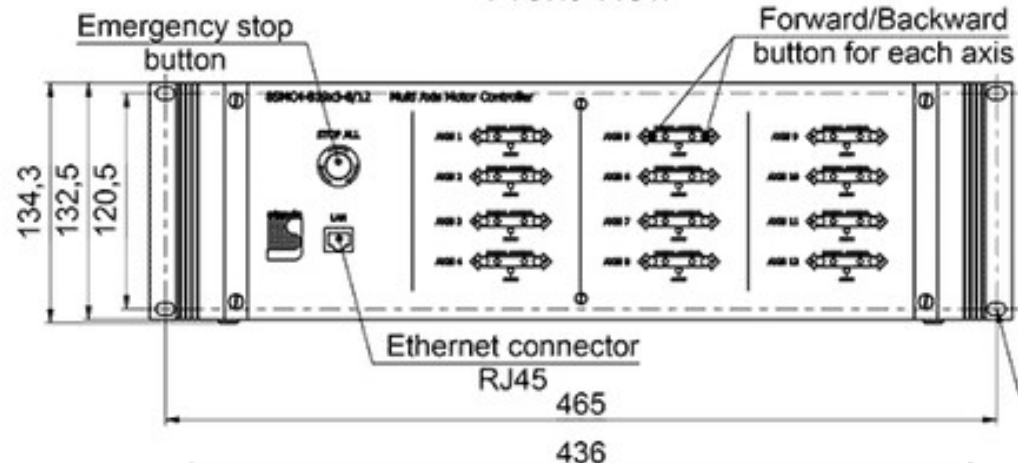


Multi-Axis Motion Controller/Driver (12-axis)

8SMC4-ETHERNET/RS232-B19x3-12

Front View



Rear View

