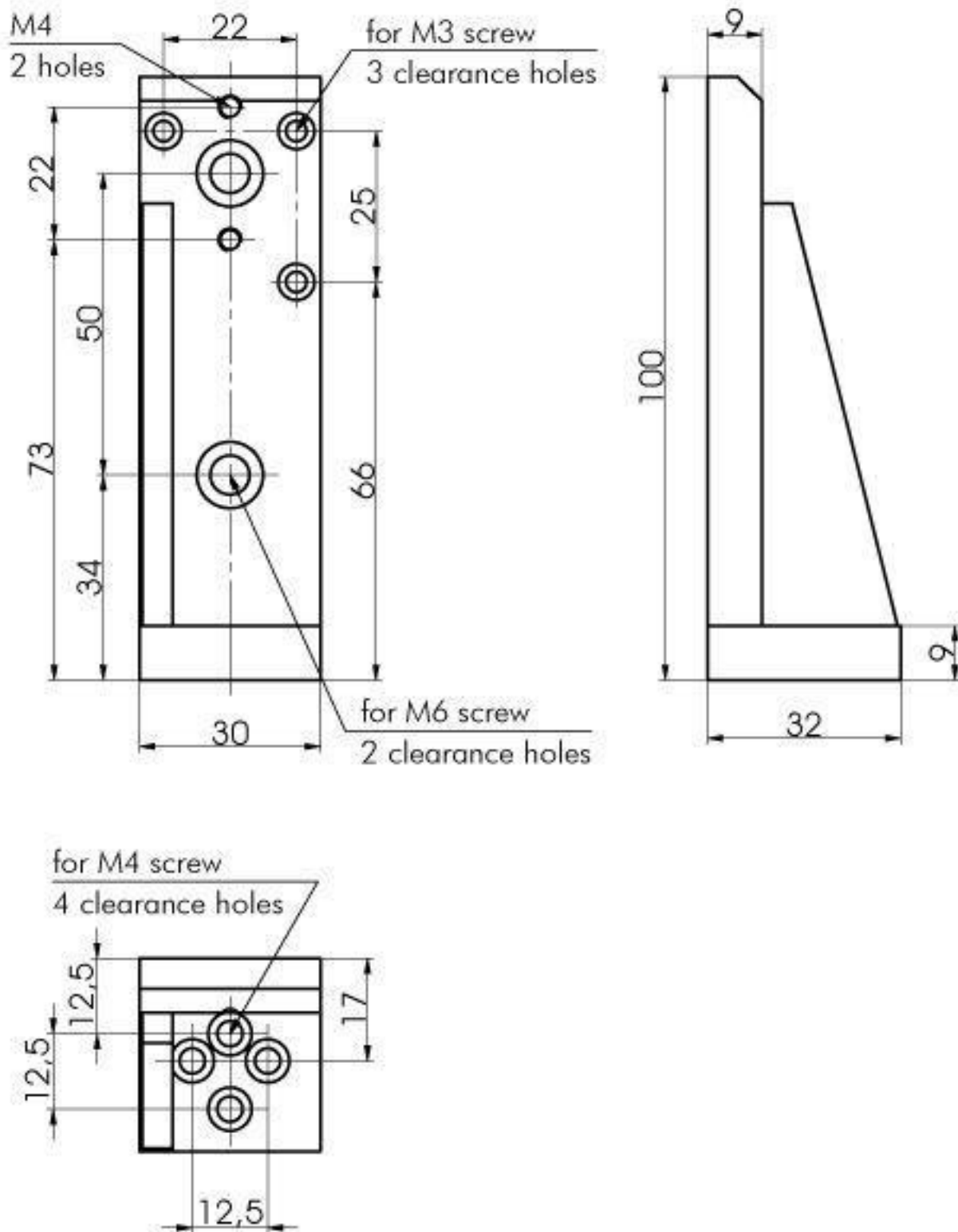




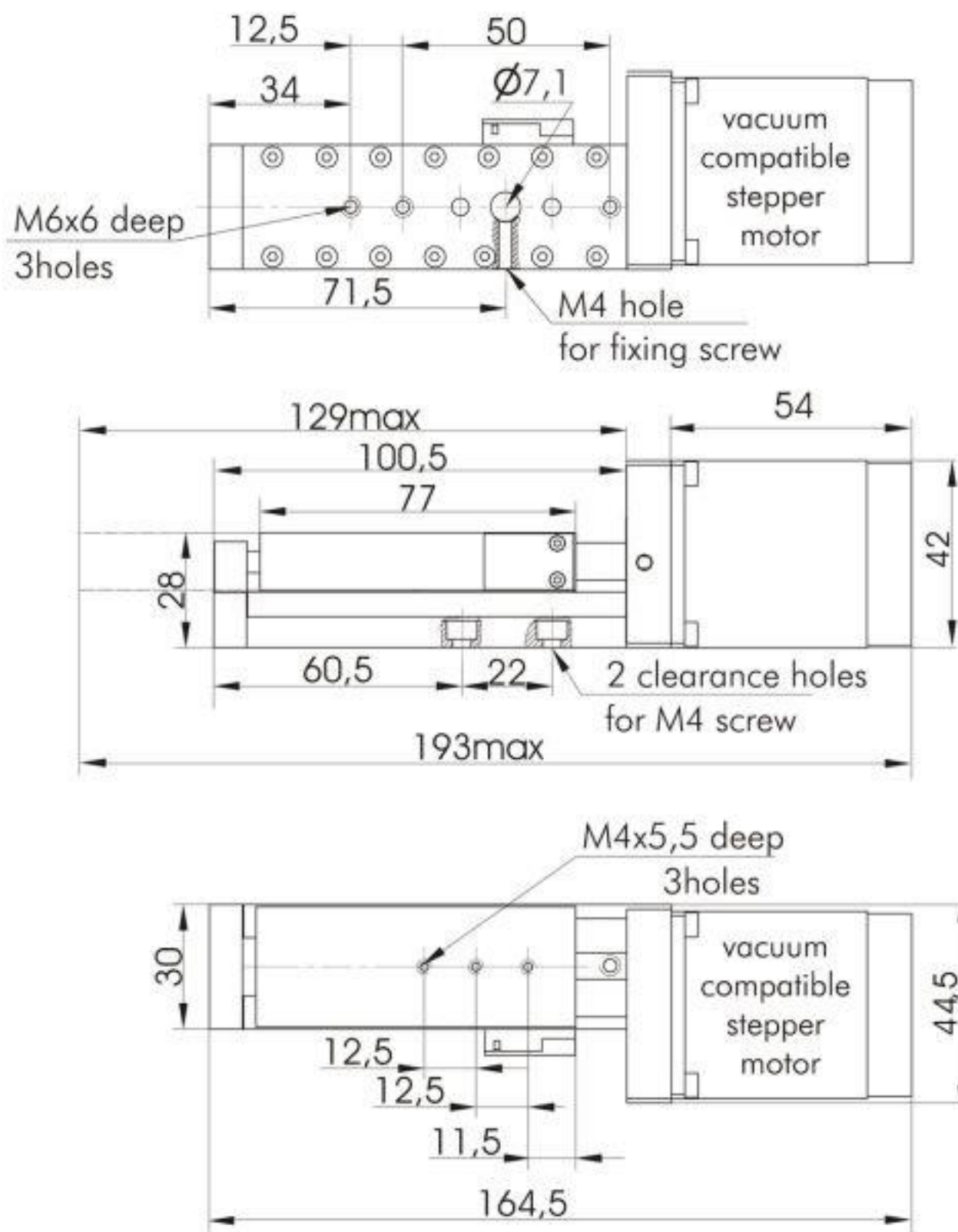
Angle Bracket

2AB173-20-50



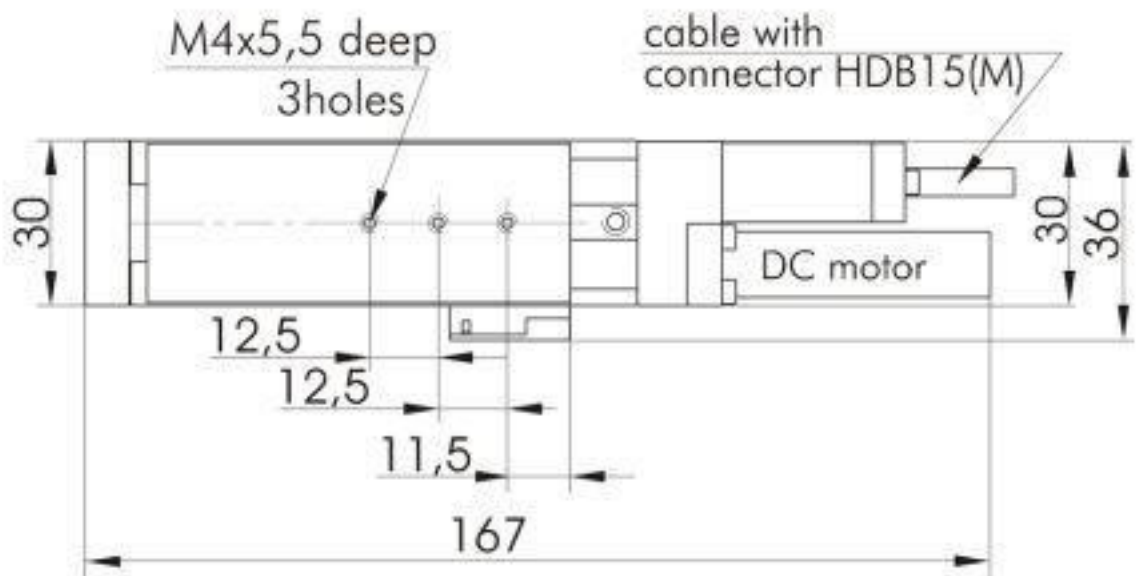
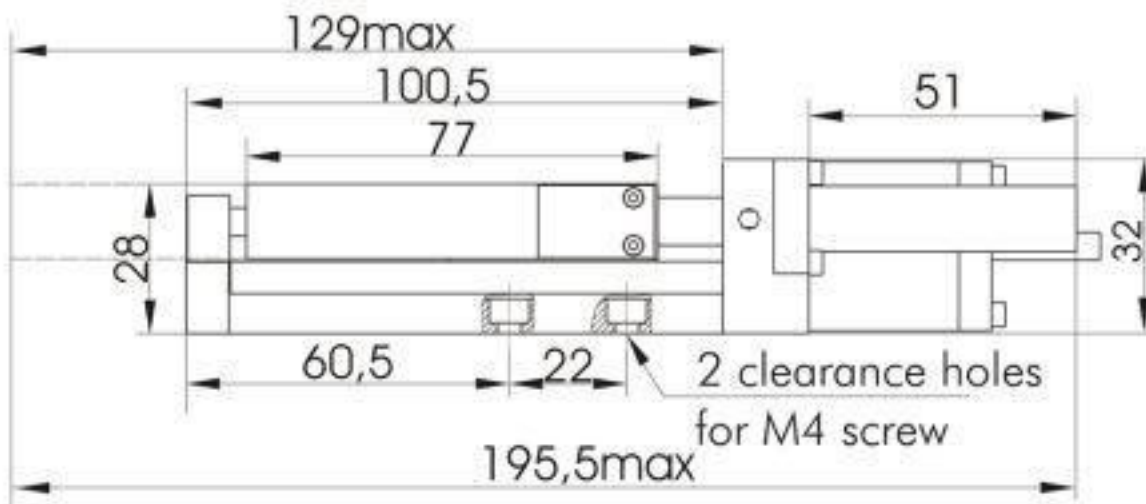
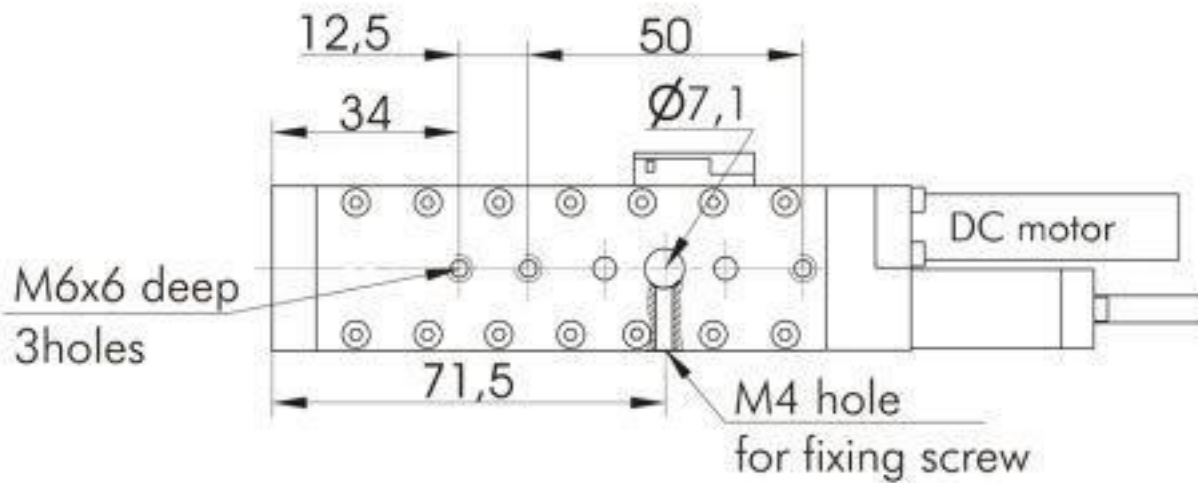
Narrow Motorized Translation Stage with Vacuum compatible stepper motor

8MT30V-50



Narrow Motorized Translation Stage with DC motor

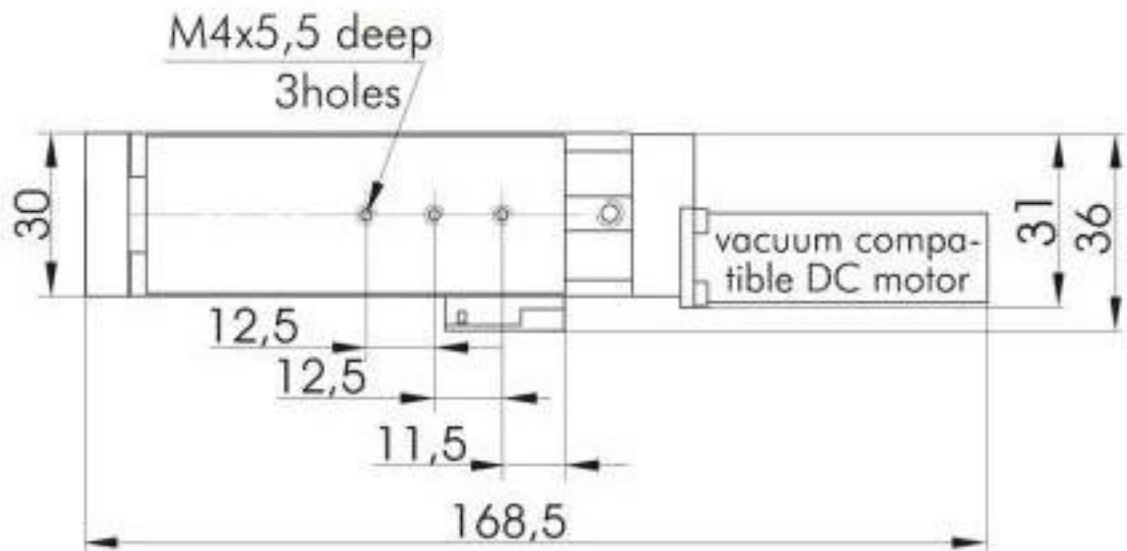
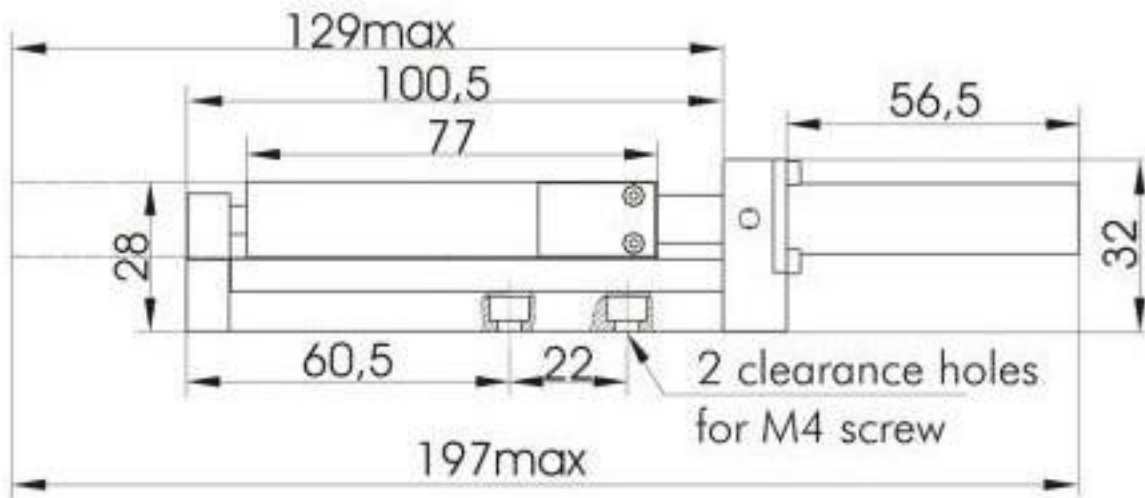
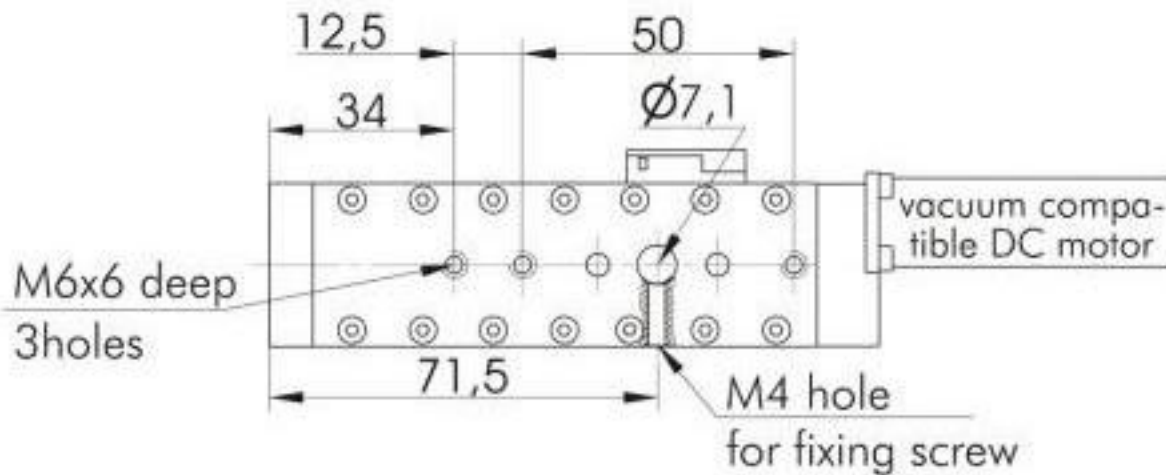
8MT30-50DCJ





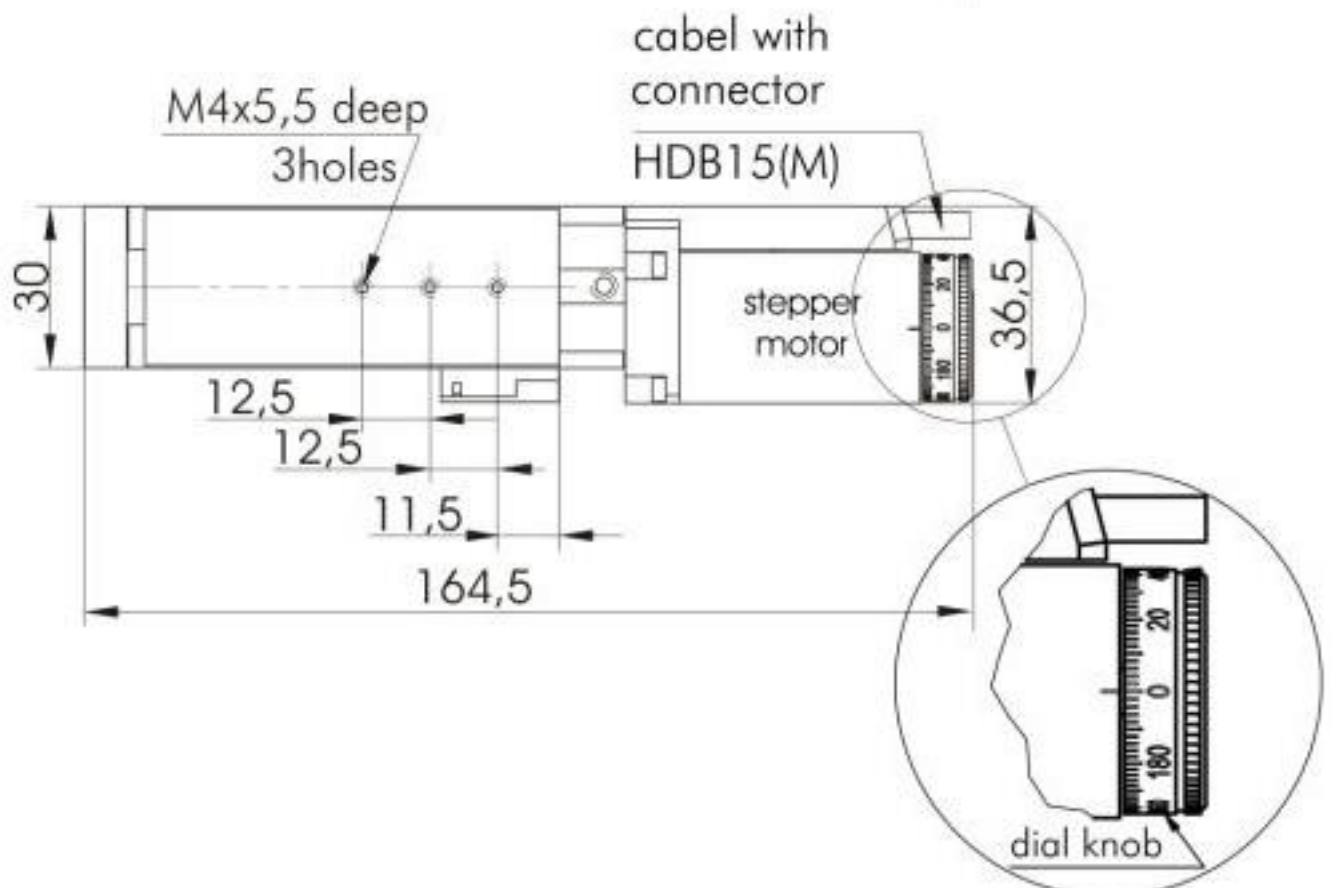
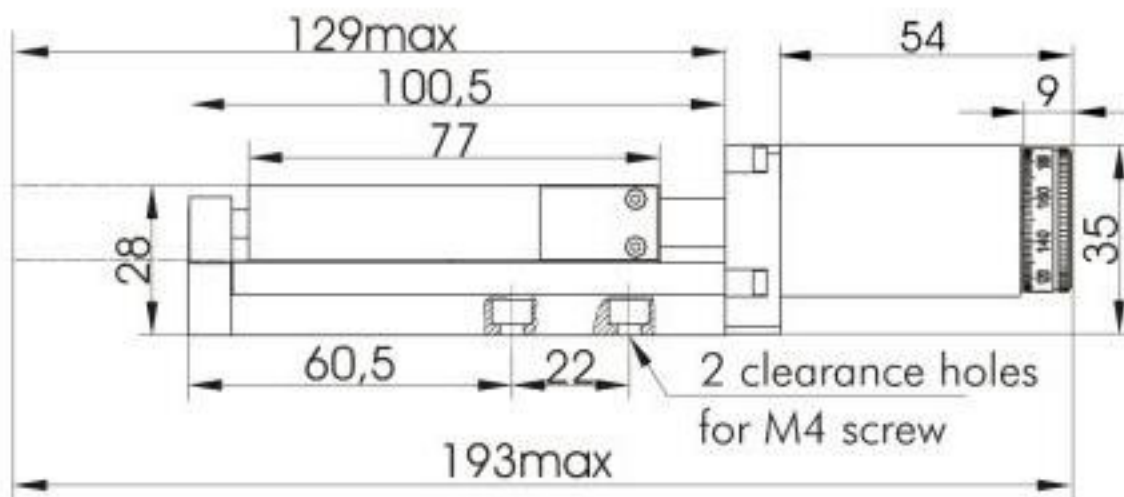
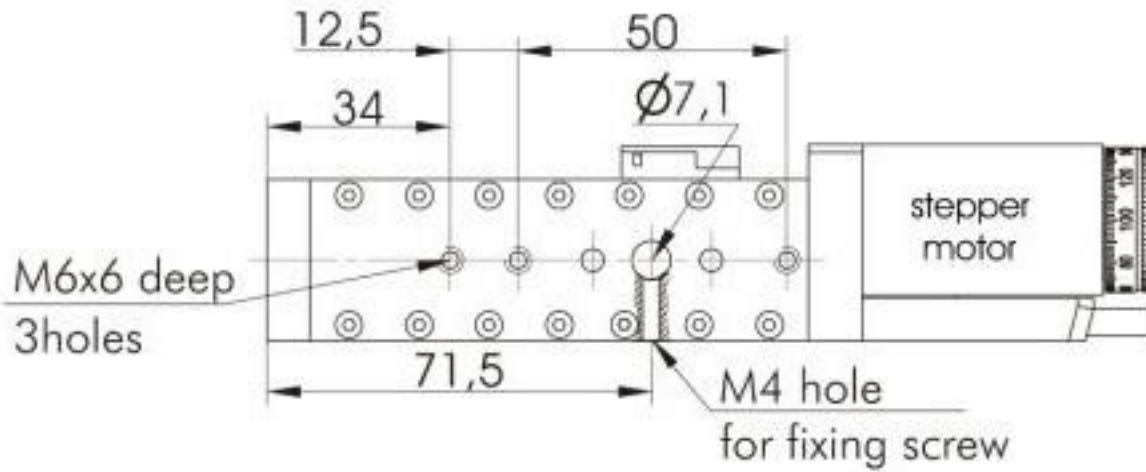
Narrow Motorized Translation Stage with Vacuum compatible DC motor

8MT30V-50DCE



Narrow Motorized Translation Stage

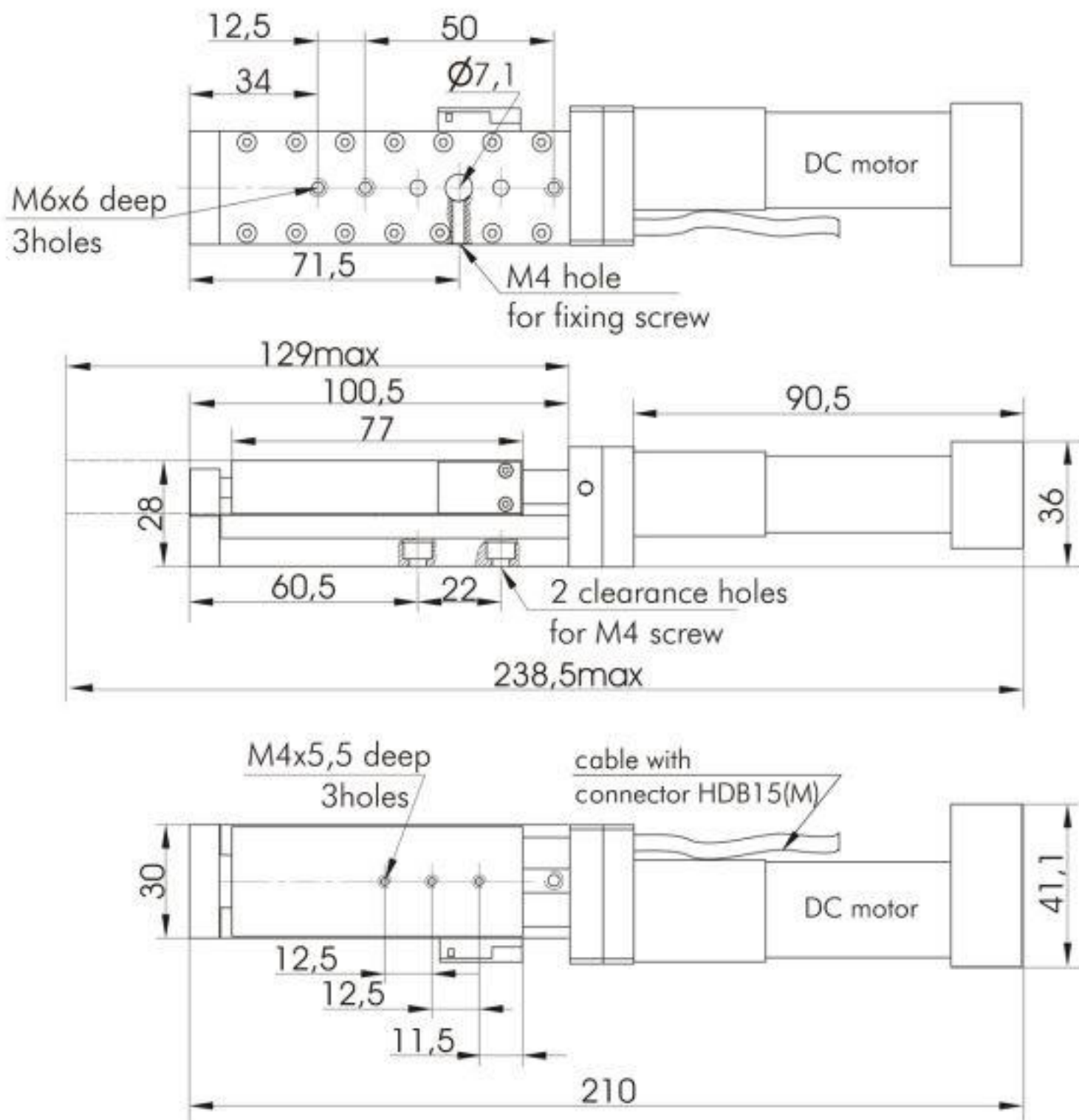
8MT30-50





Narrow Motorized Translation Stage with DC motor

8MT30-50DCE





Manufacturer of Opto-Mechanical equipment for research, industry and education

P.O. Box 377
03012 Vilnius, Lithuania
Phone: +370-5-2651474
Fax: +370-5-2651483
E-mail: sales@standa.lt
<http://www.standa.lt>

Connecting Plate

2CP173-50-20

