

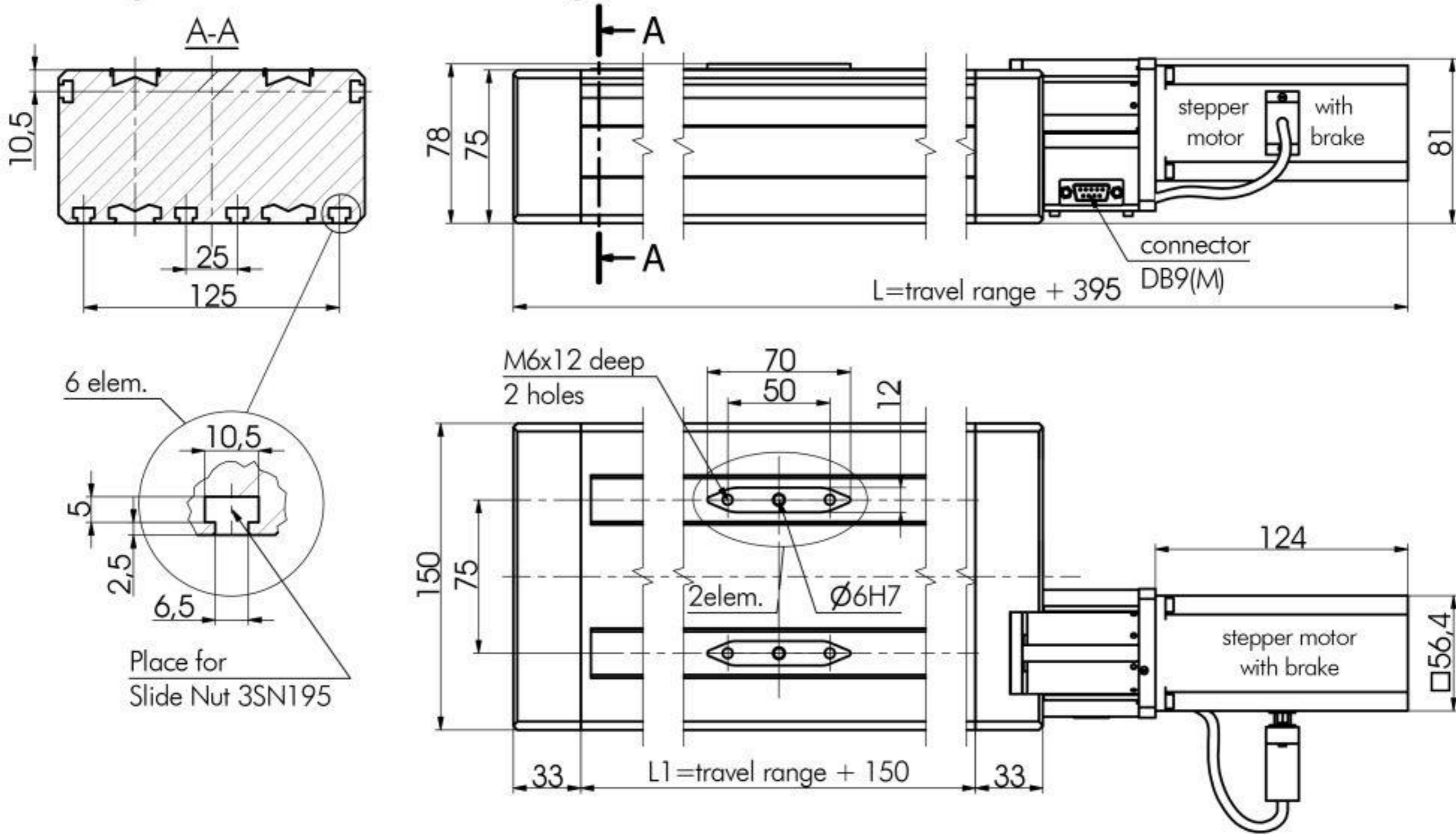


Manufacturer of Opto-Mechanical equipment for research, industry and education / We produce exactly what You need

P.O. Box 377
03012 Vilnius, Lithuania
Phone: +370-5-2651474
Fax: +370-5-2651483
E-mail: sales@standa.lt
http://www.standa.lt

Long - Travel Motorized Linear Stage

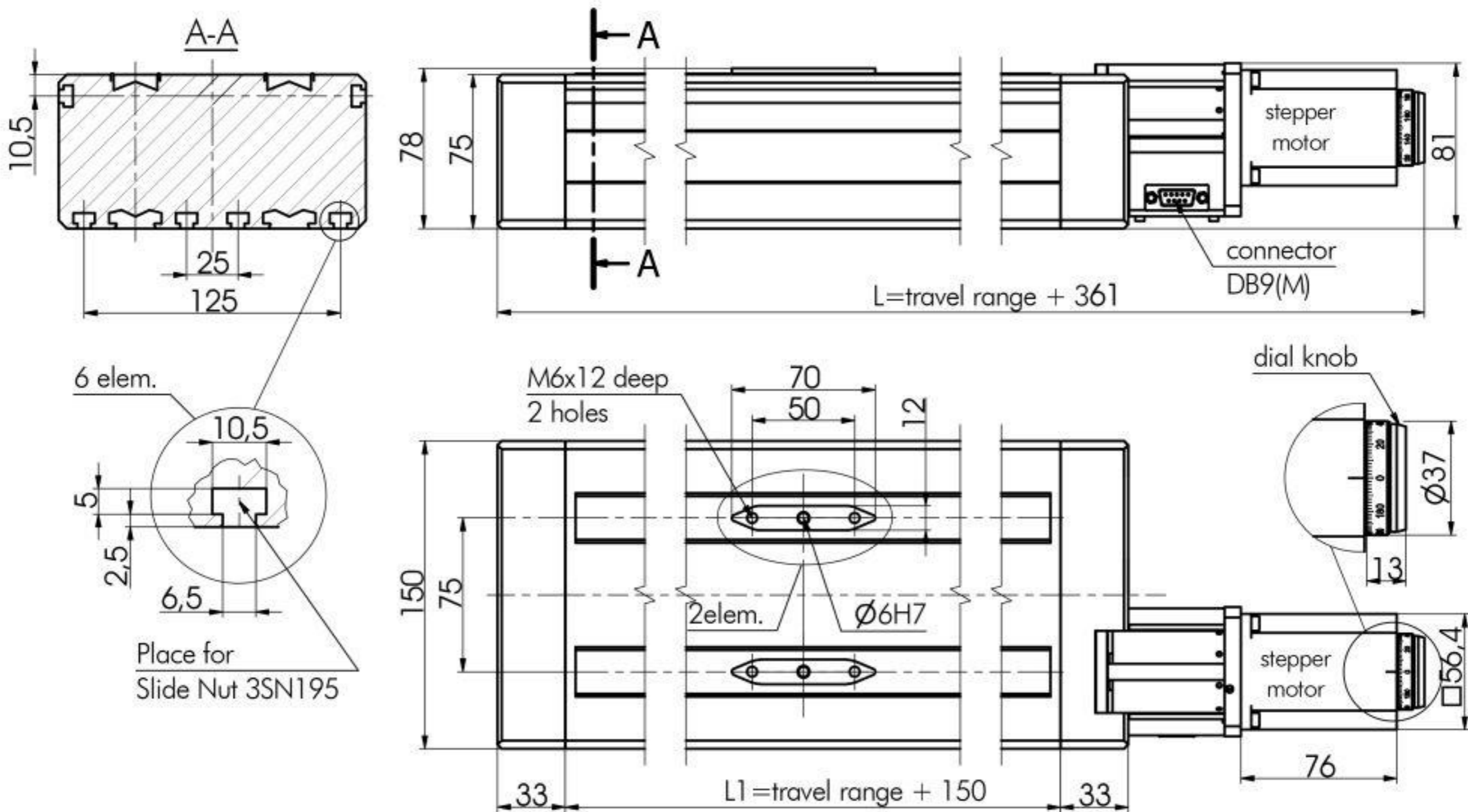
8MT295Z series





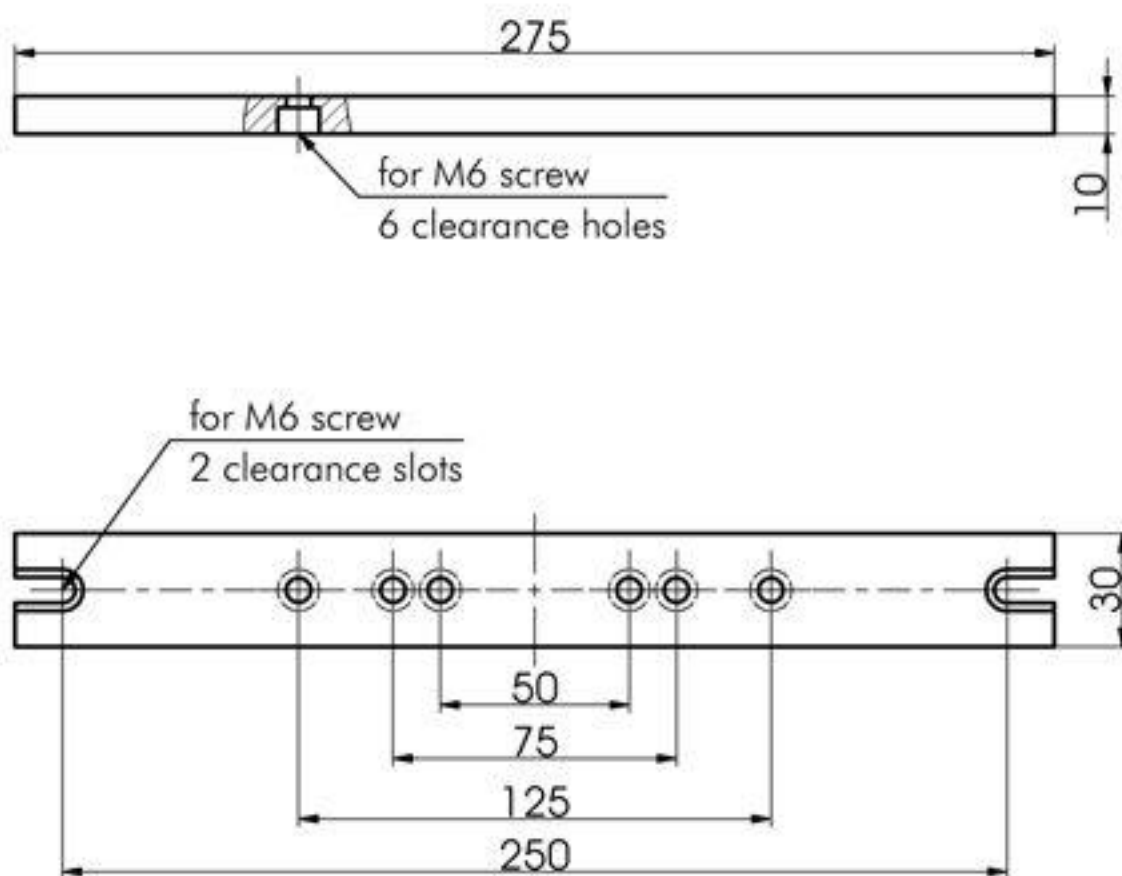
Long - Travel Motorized Linear Stage

8MT295 series



Base Plate

3BP295



Platform

3P295

