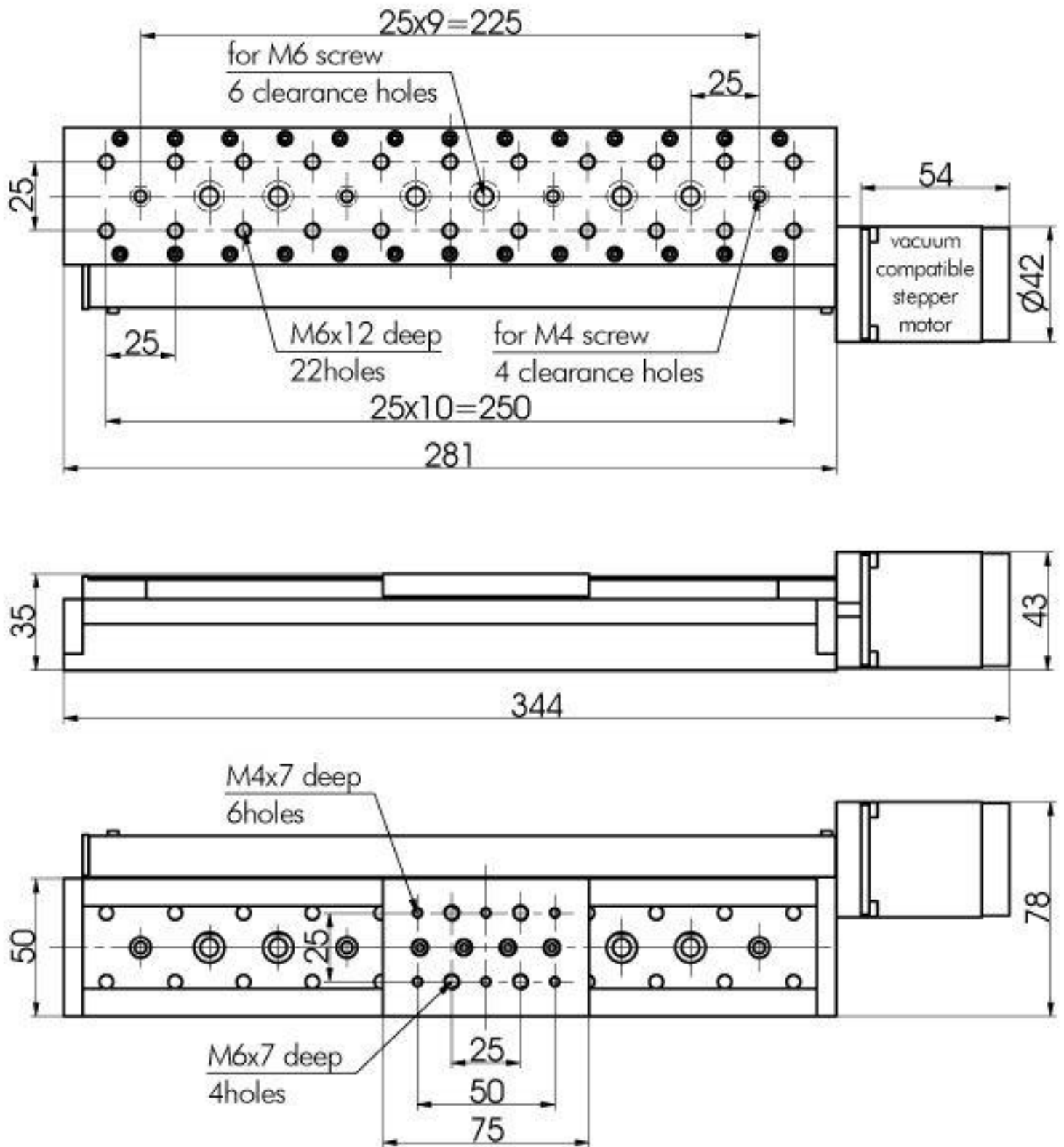




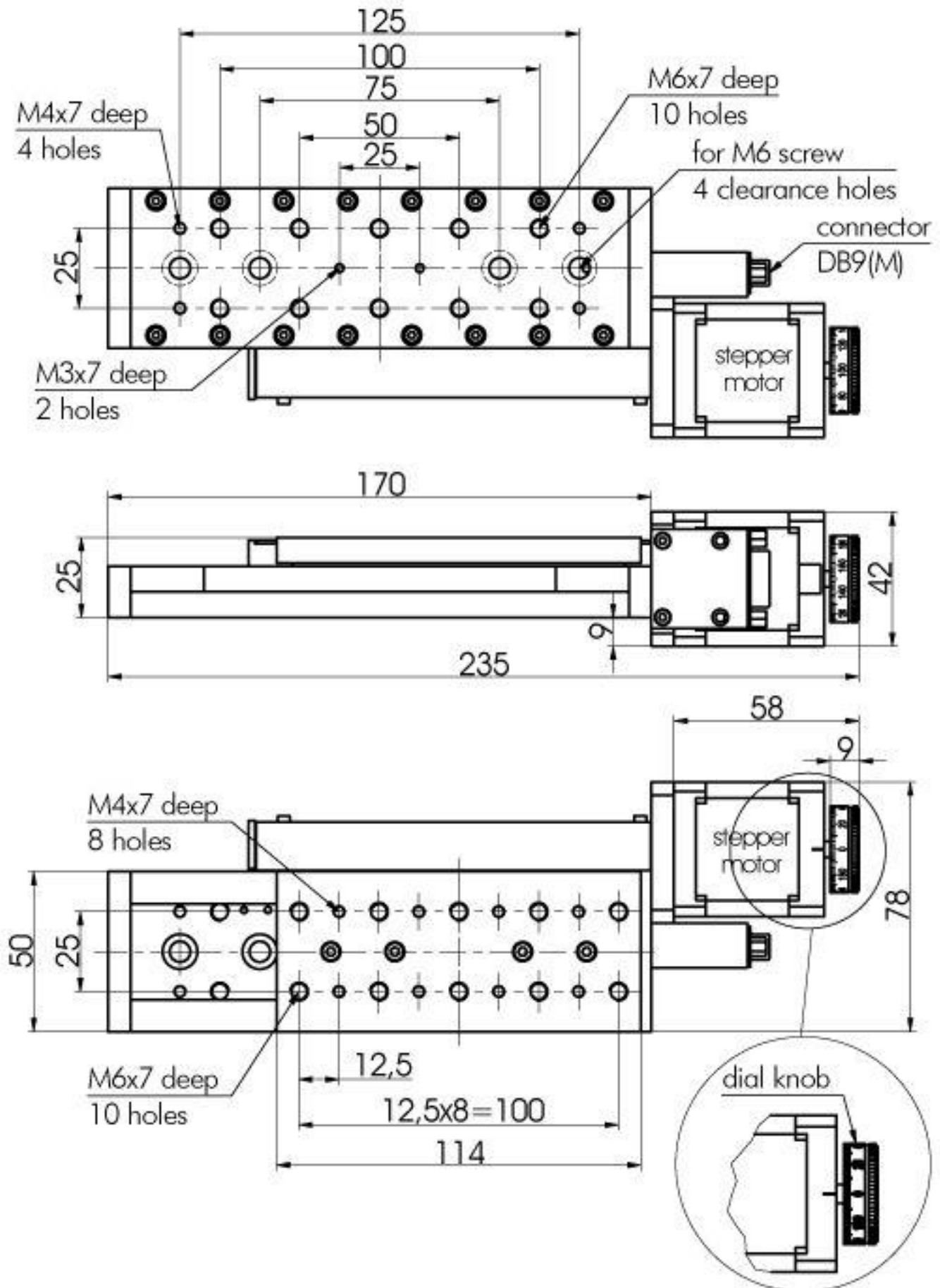
**Medium Width Motorized Translation Stage
with Vacuum compatible stepper motor**

8MT175V-200-VSS42



Medium Width Motorized Translation Stage

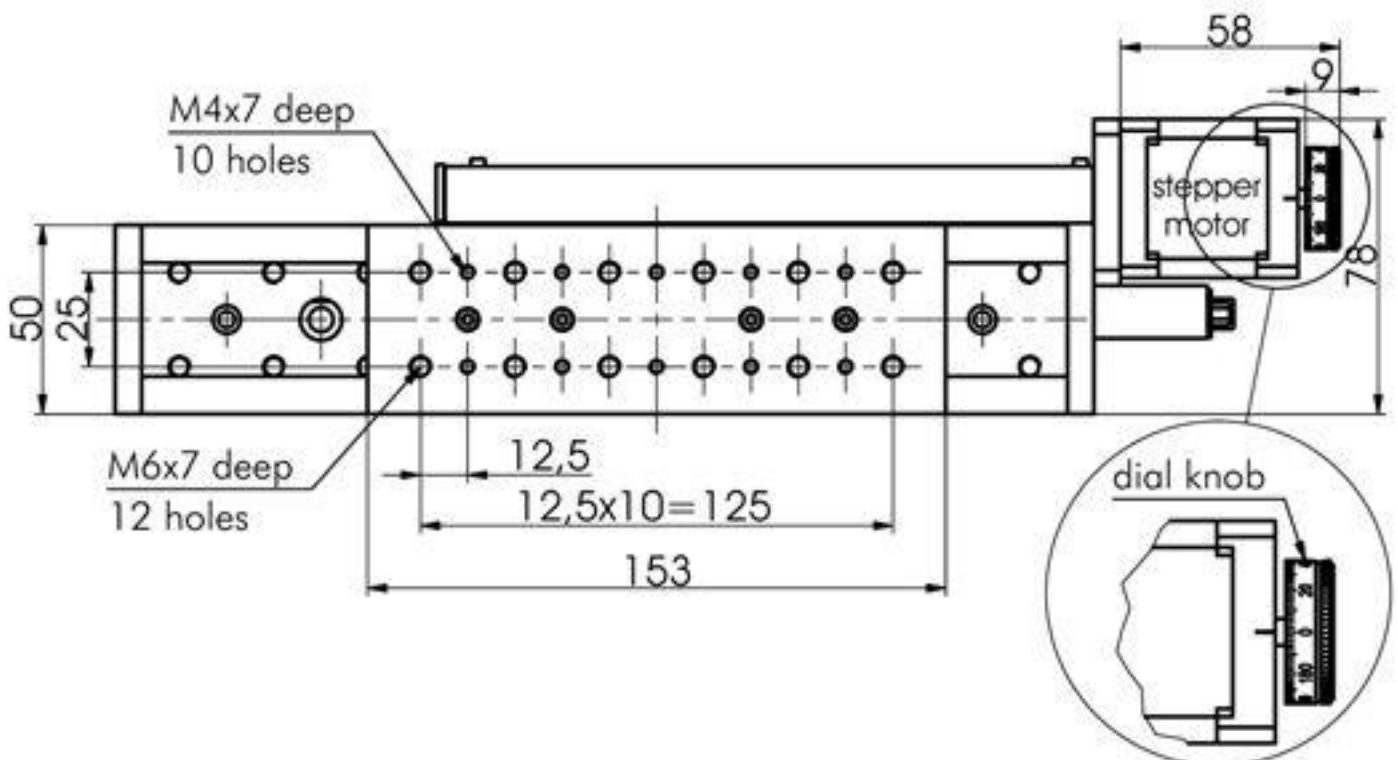
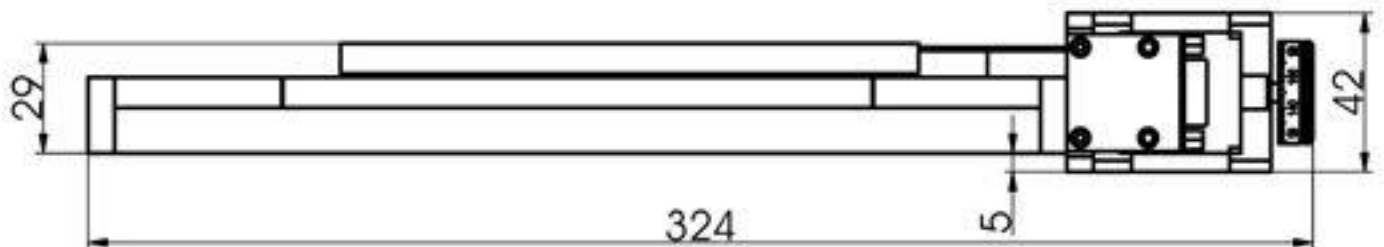
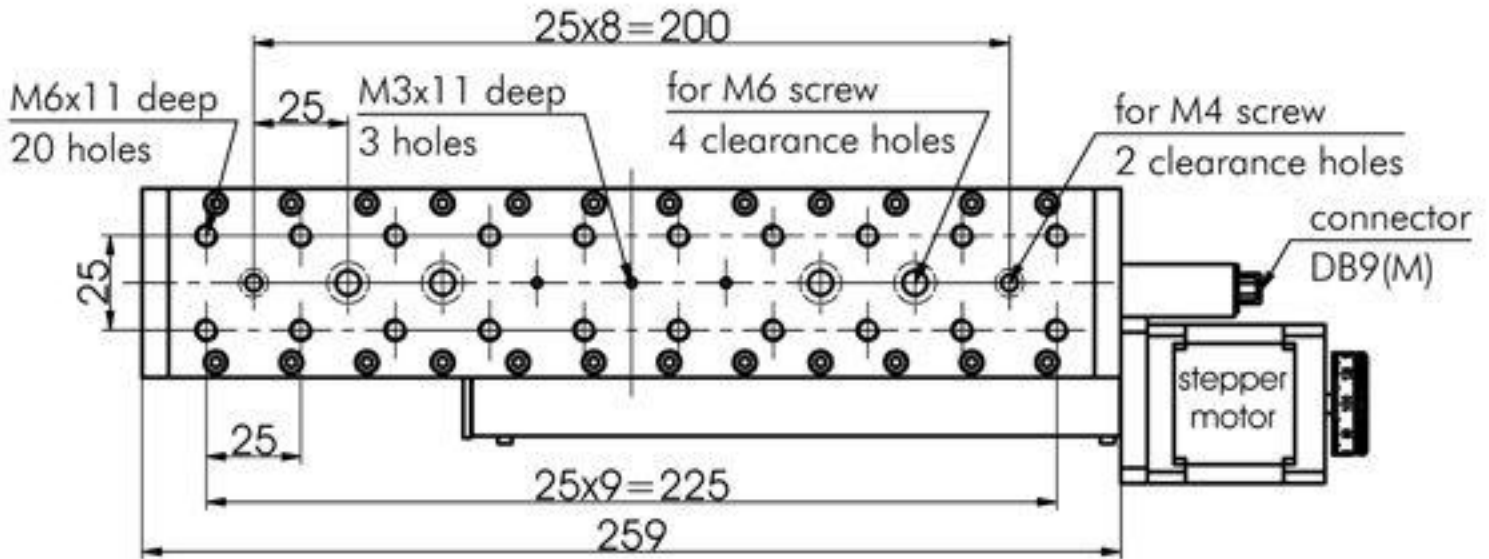
8MT175-50





Medium Width Motorized Translation Stage

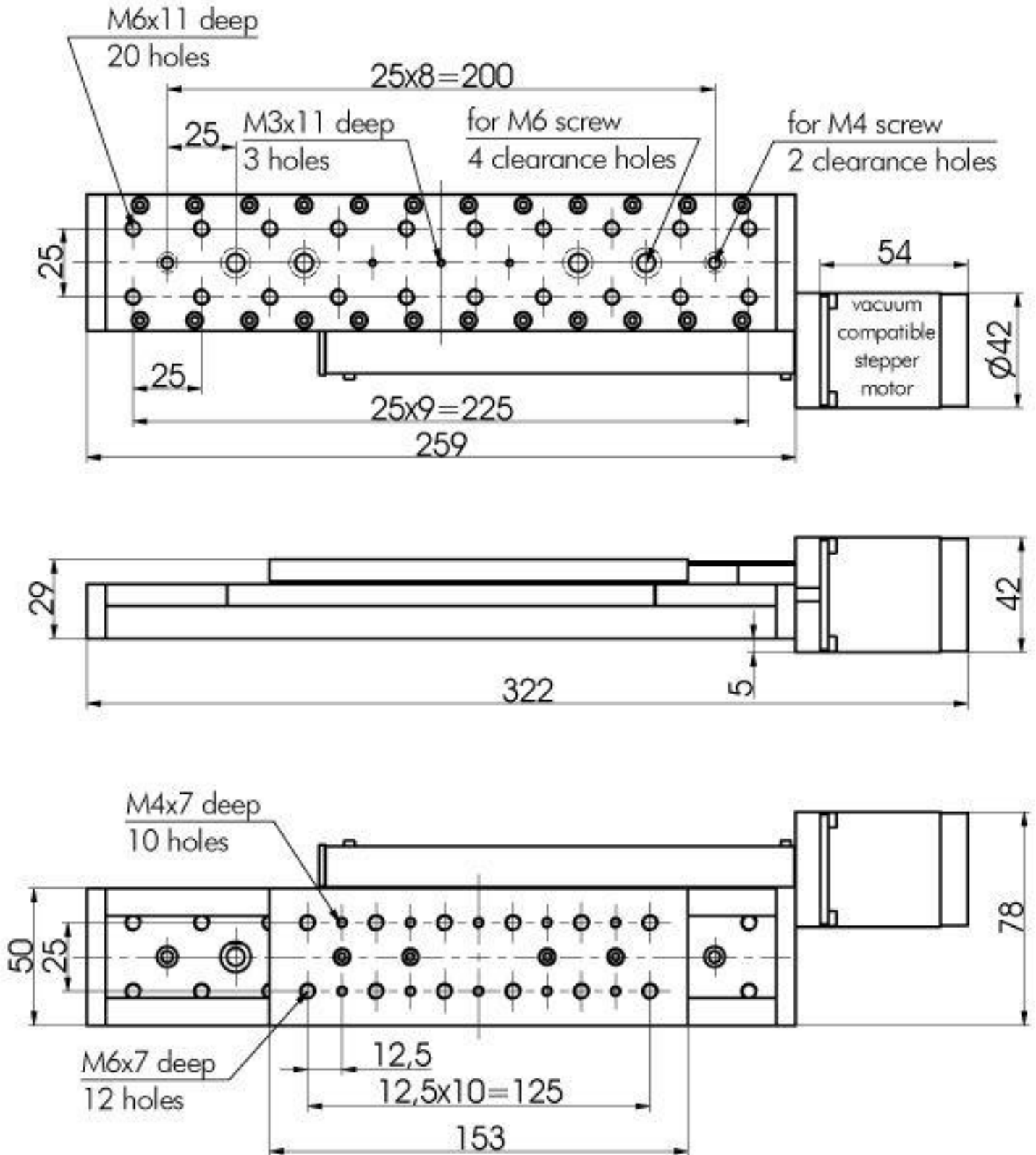
8MT175-100





Medium Width Motorized Translation Stage with Vacuum compatible stepper motor

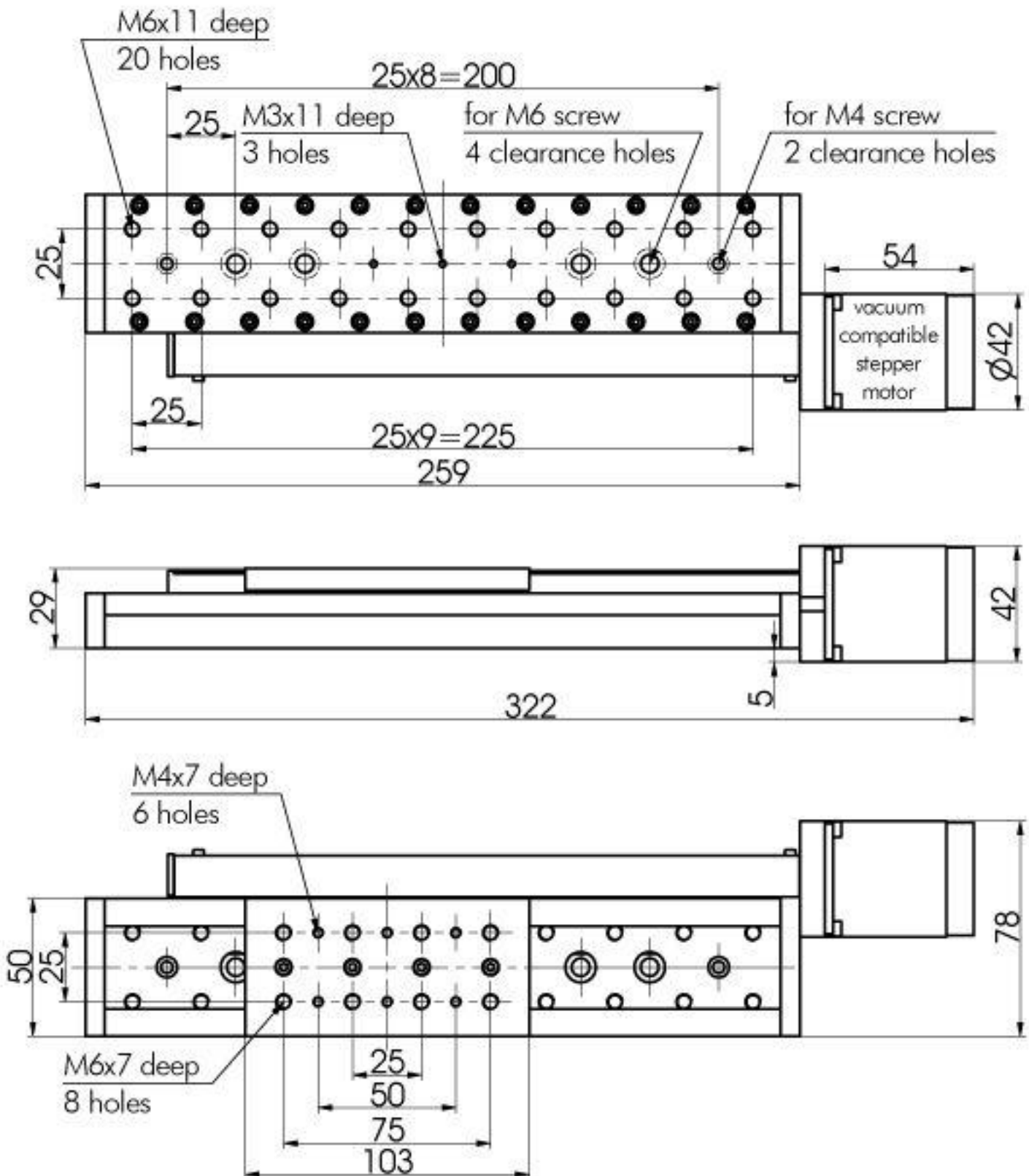
8MT175V-100-VSS42





Medium Width Motorized Translation Stage with Vacuum compatible stepper motor

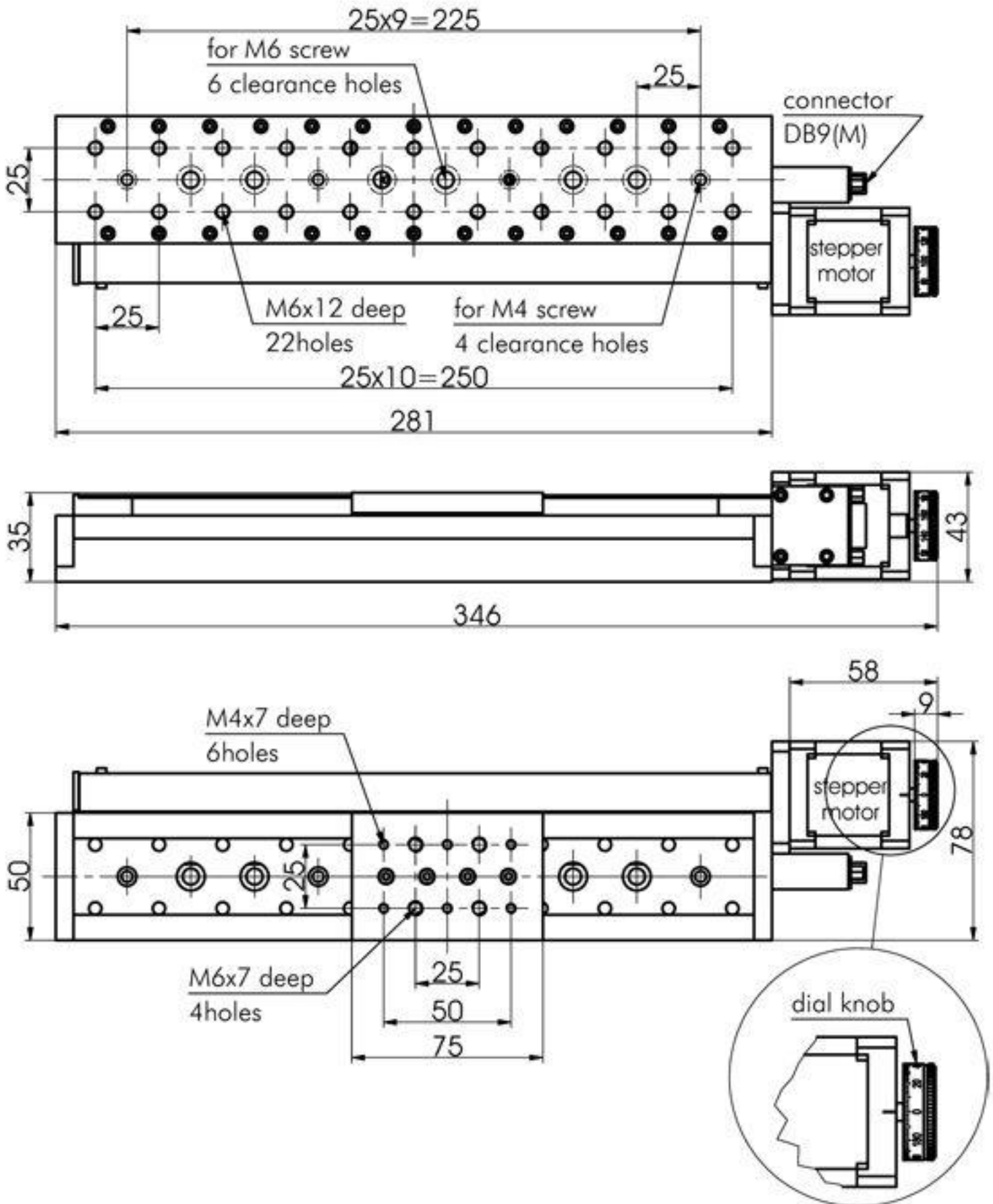
8MT175V-150-VSS42





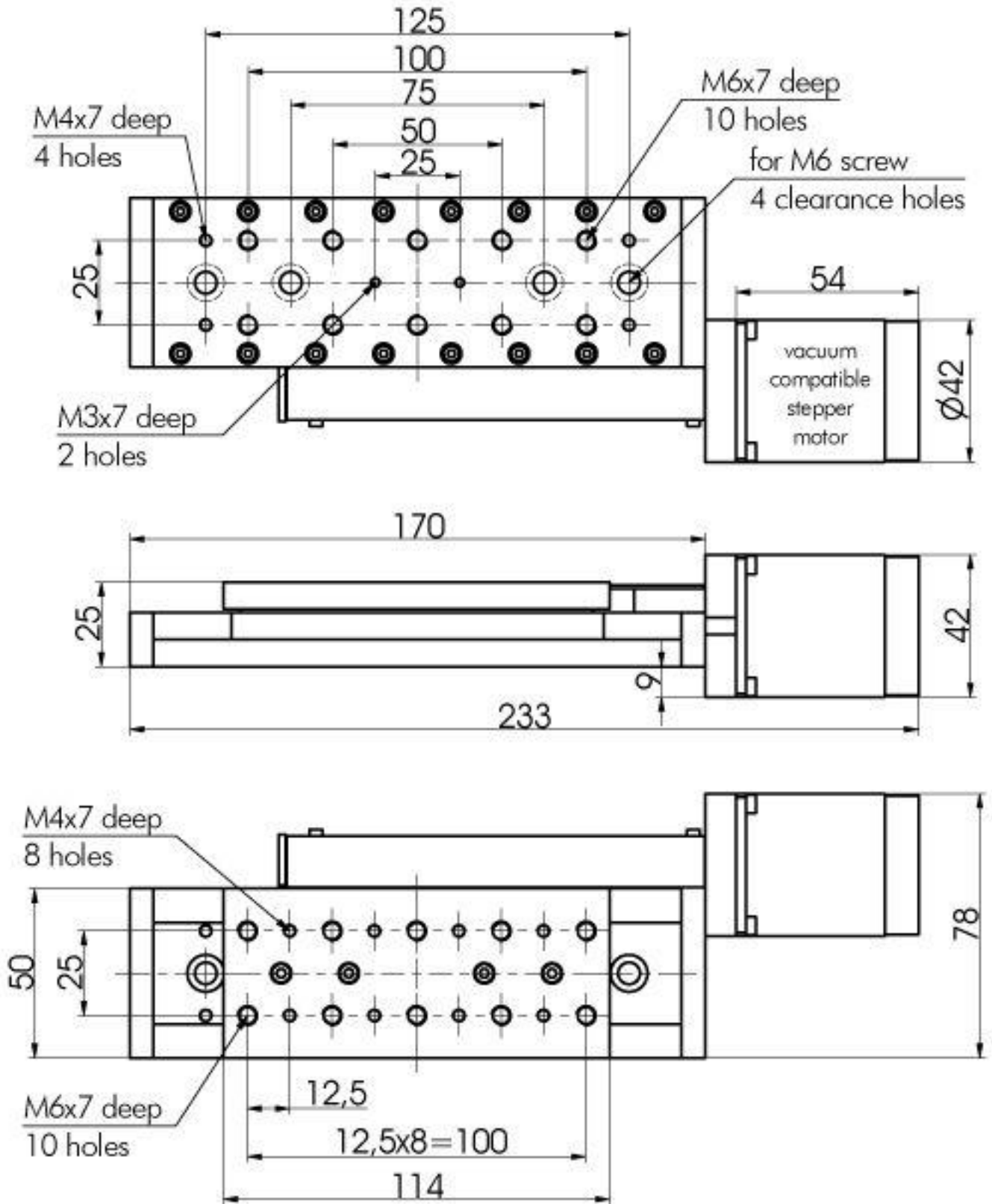
Medium Width Motorized Translation Stage

8MT175-200



**Medium Width Motorized Translation Stage
 with Vacuum compatible stepper motor**

8MT175V-50-VSS42





Medium Width Motorized Translation Stage

8MT175-150

