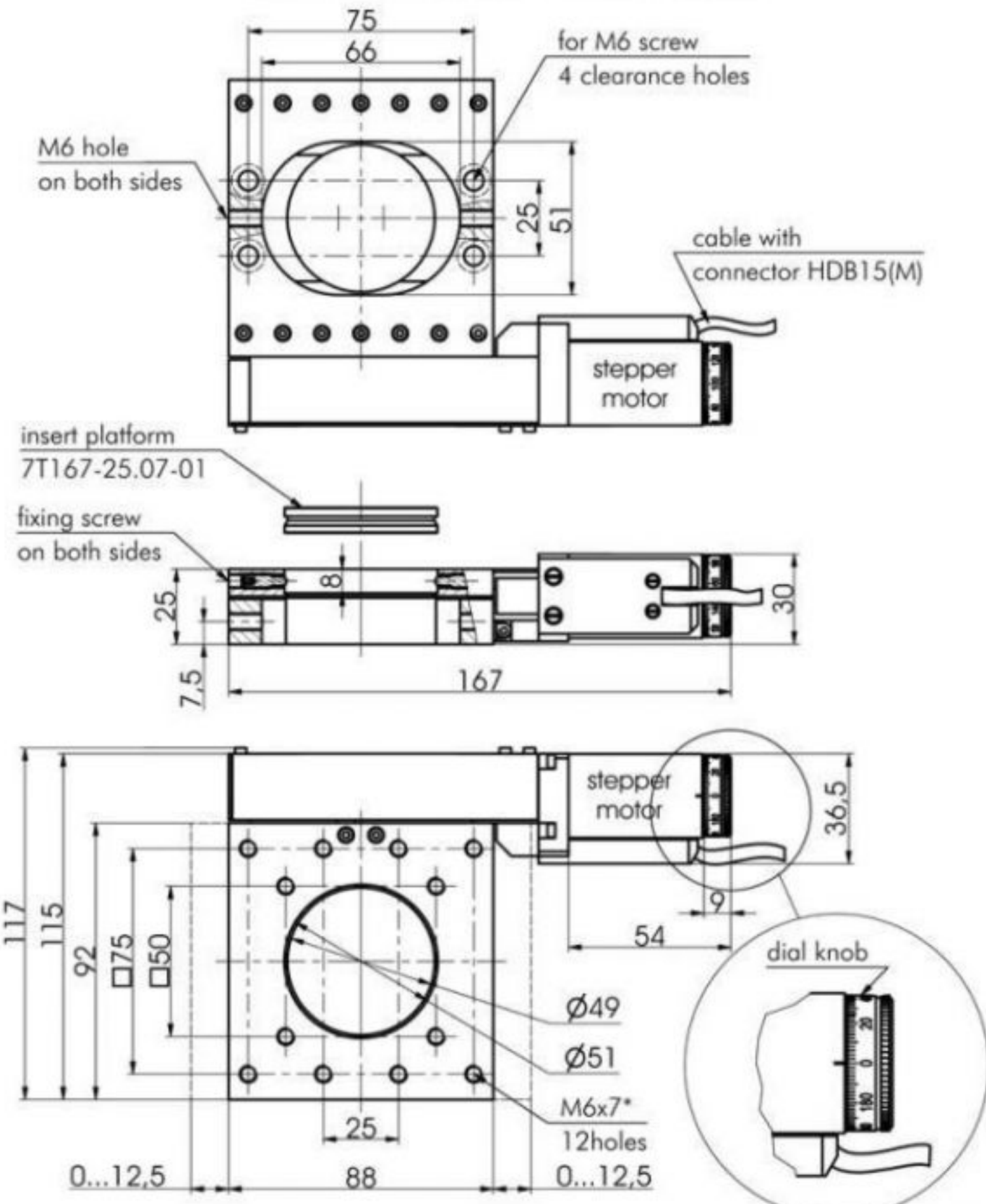
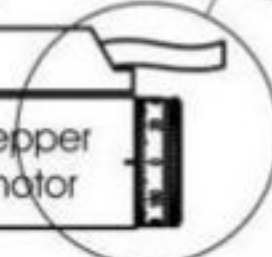
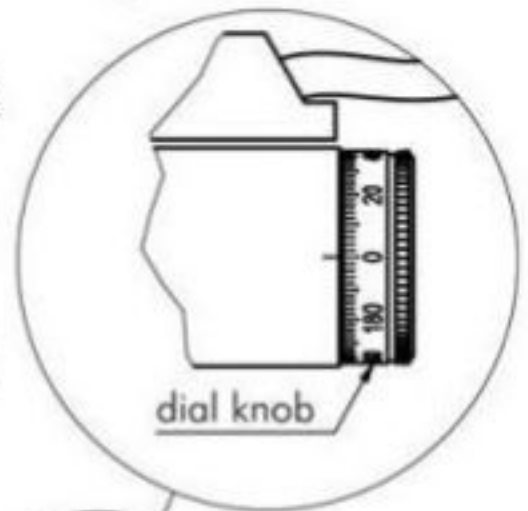
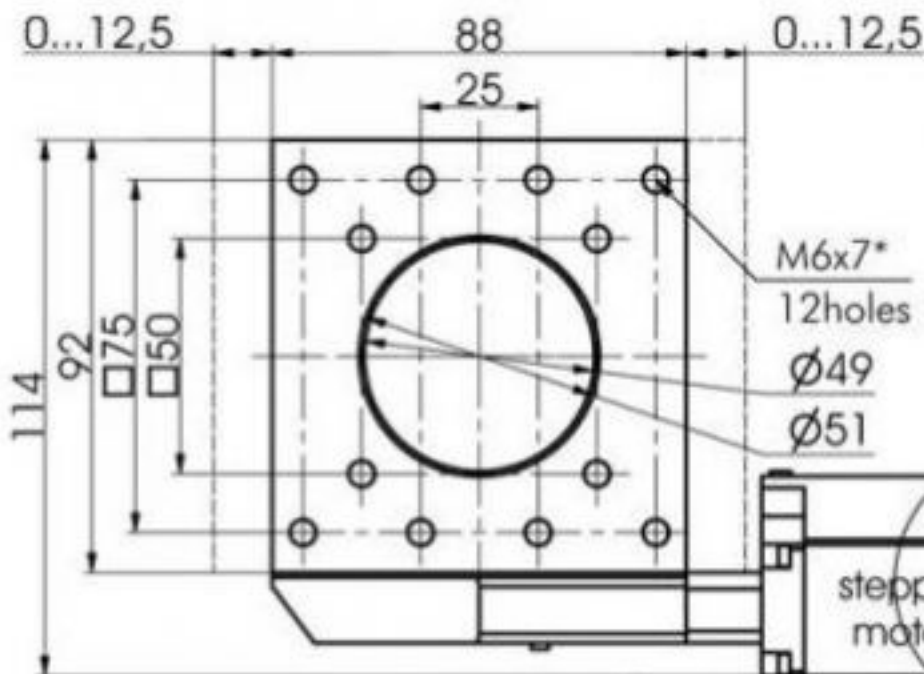
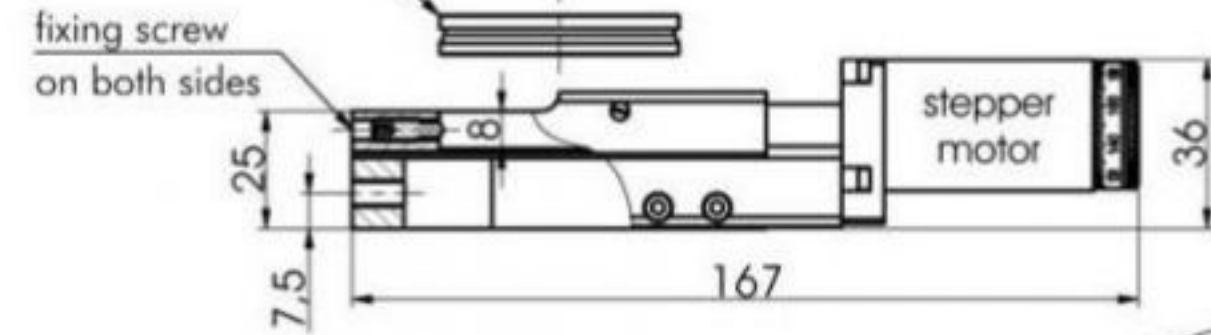
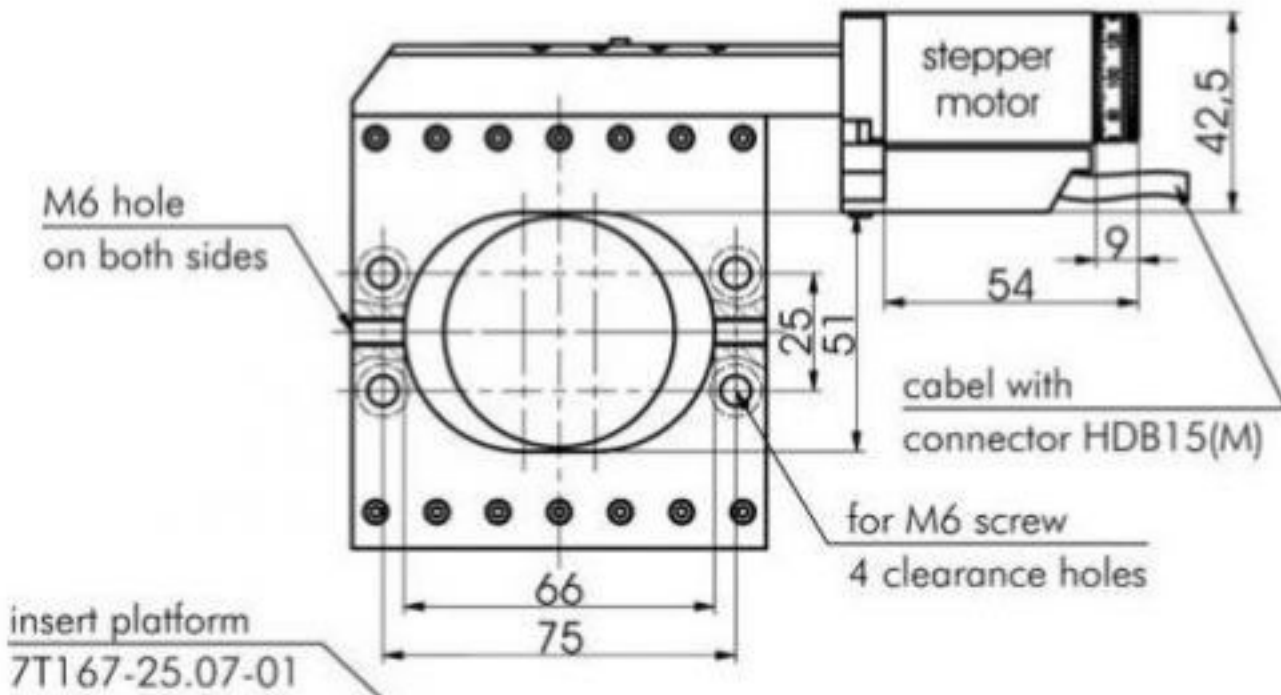


8MT167-25BS1 / 8MT167-25LS



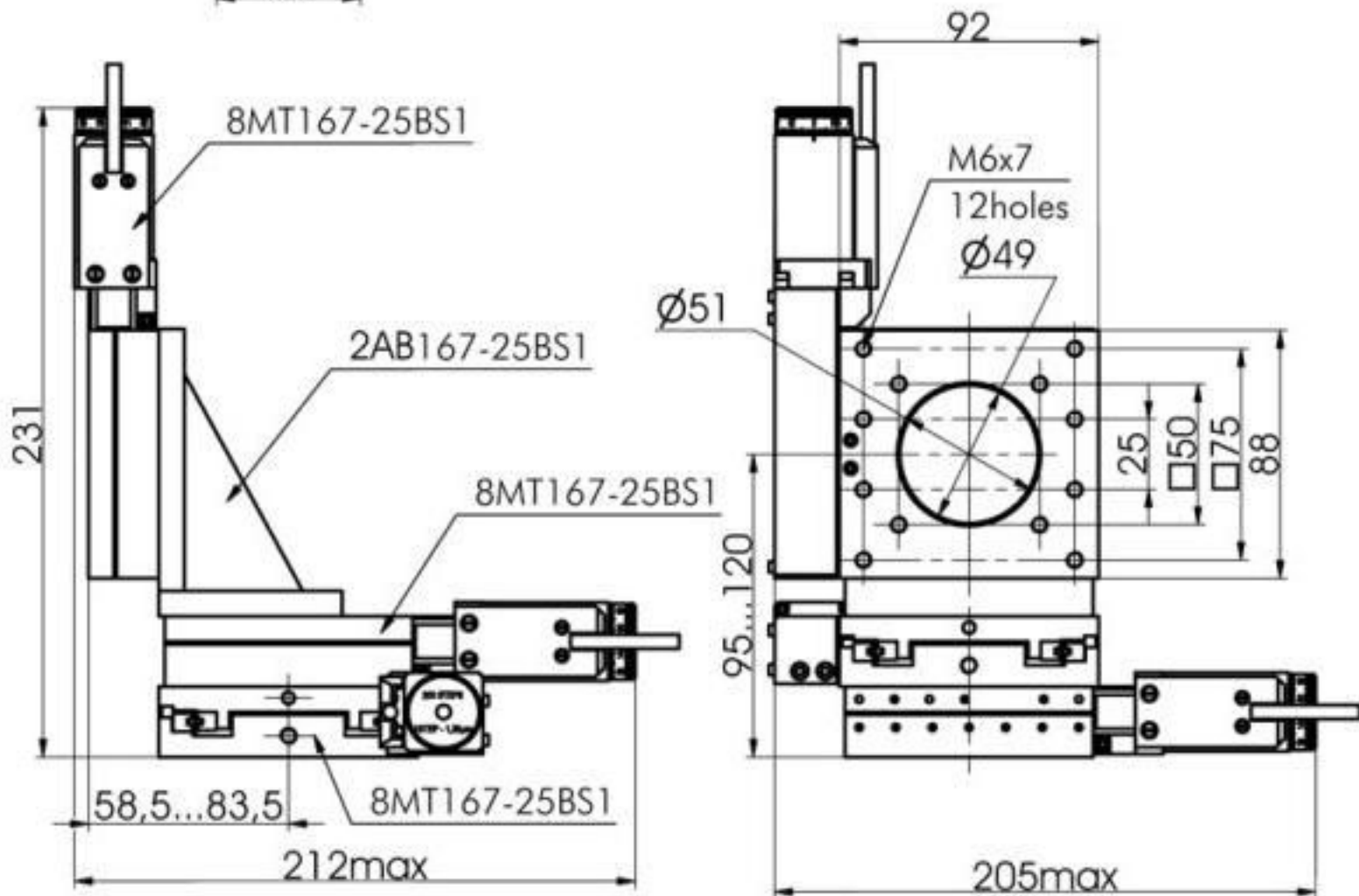
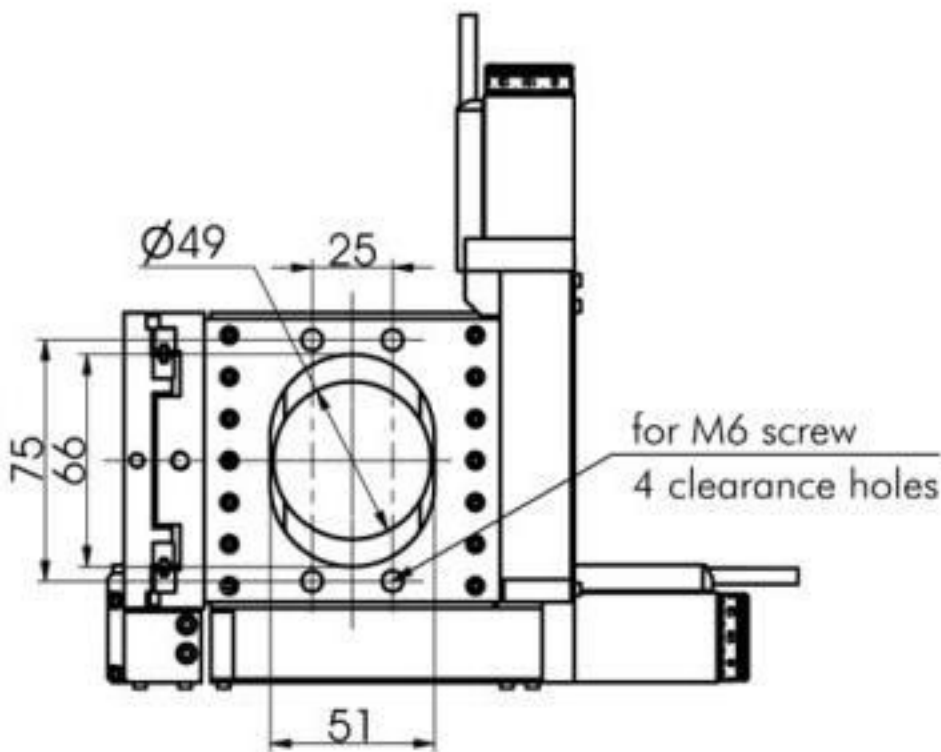
*Length of the thread of the screws not to exceed 6mm

8MT167-25



*Length of the thread of the screws not to exceed 6mm

XYZ SPECIFICATION



7T167-25.07-01

