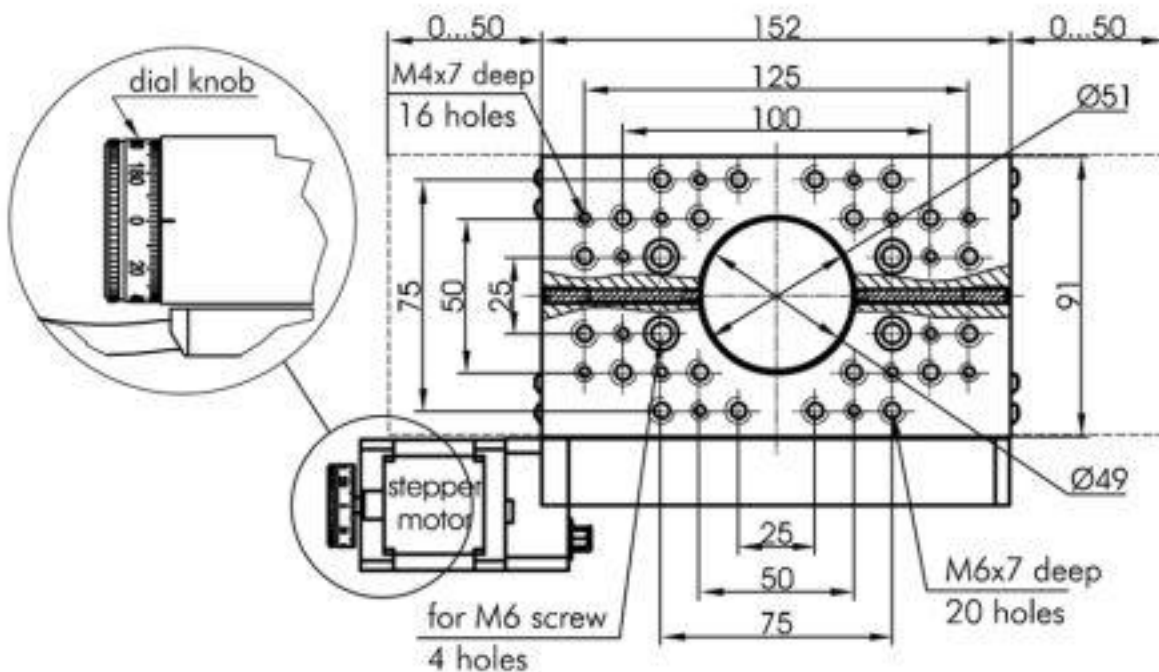
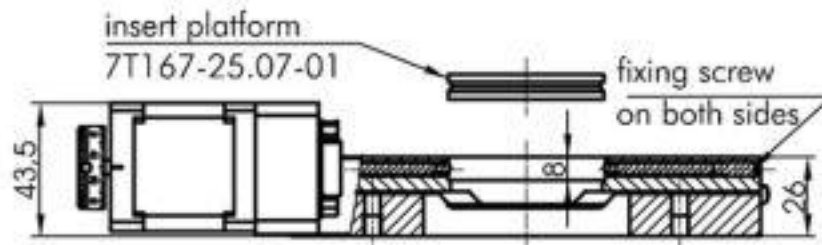
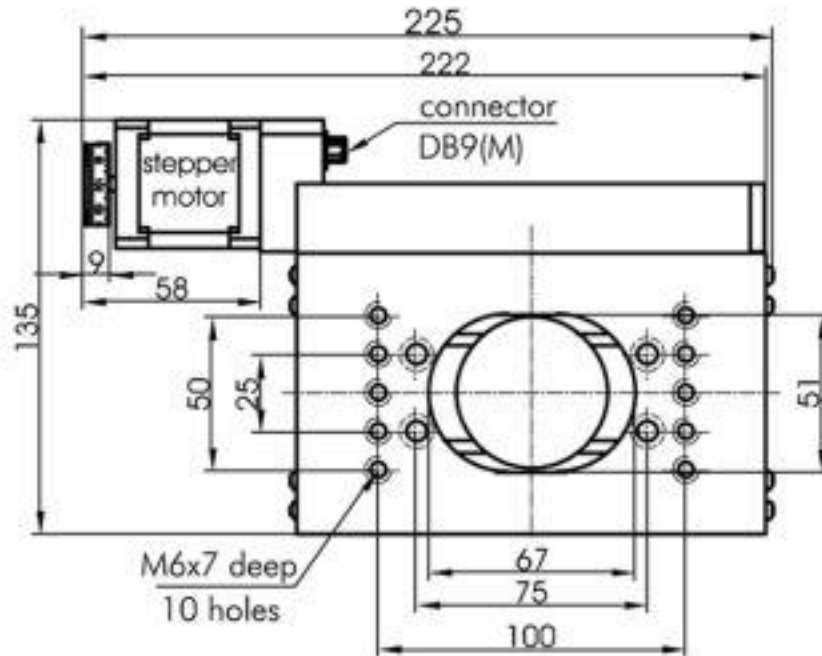


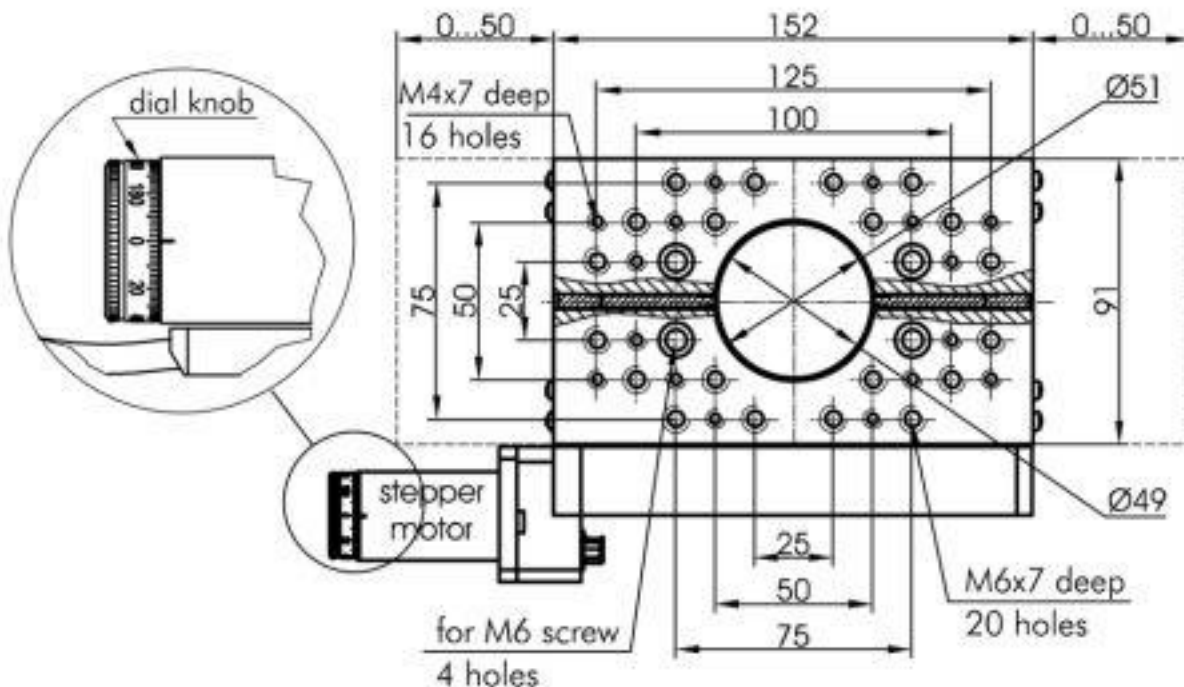
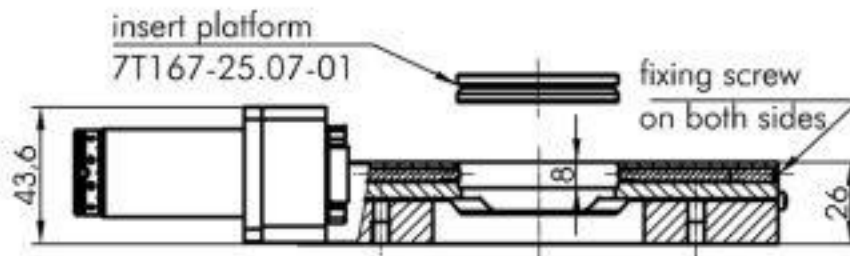
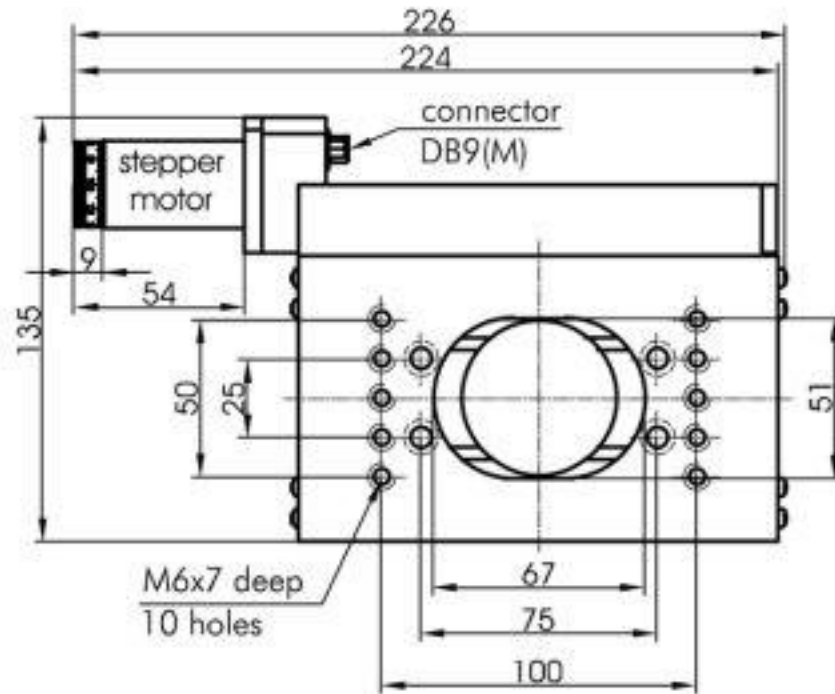
# Motorized Translation Stage

# 8MT167-100

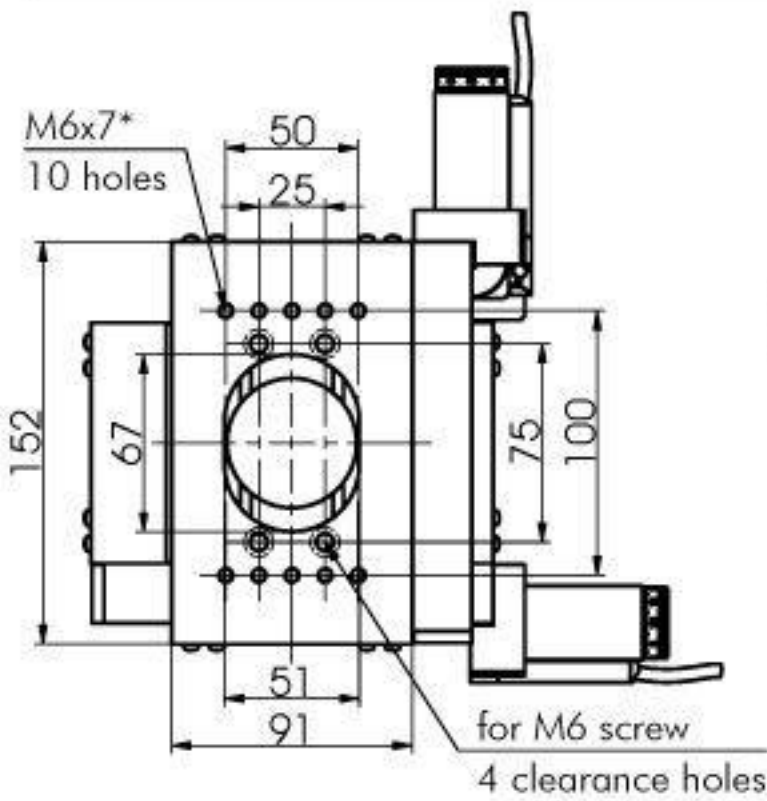


## Motorized Translation Stage

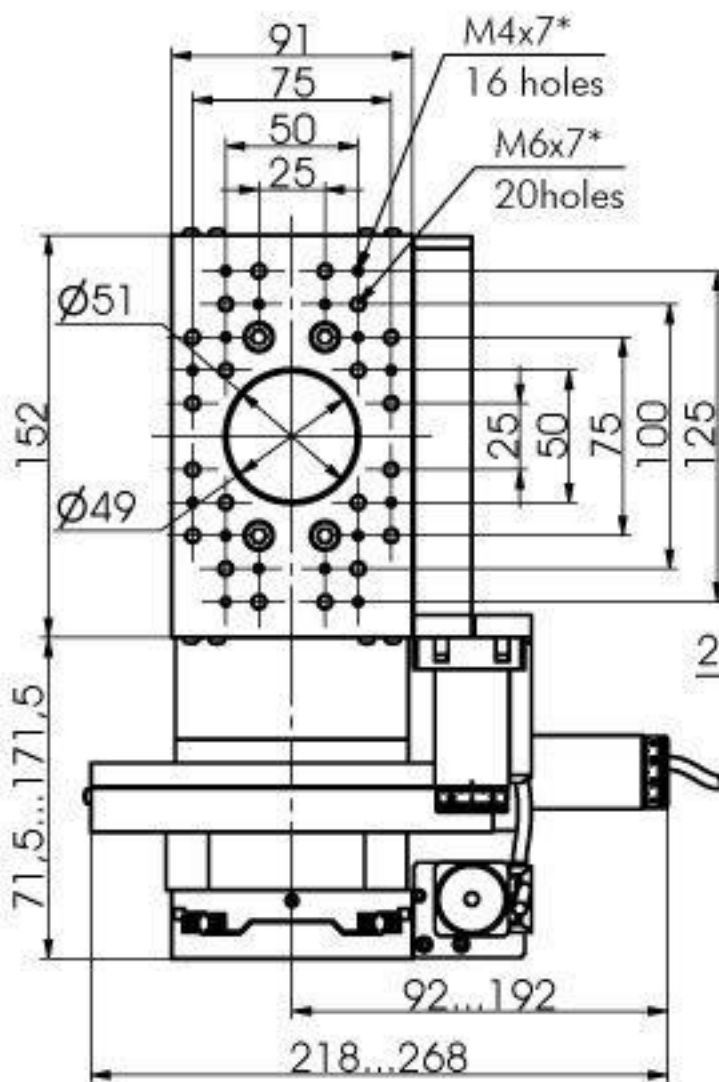
## 8MT167-100C28



## 8MT167-100-28 xyz



\*Length of the thread of the screws not to exceed 6mm



insert platform  
7T167-25.07-01

8MT167-100-28

2AB167-50

8MT167-100-28

2CP167-100

8MT167-100-28

218...283

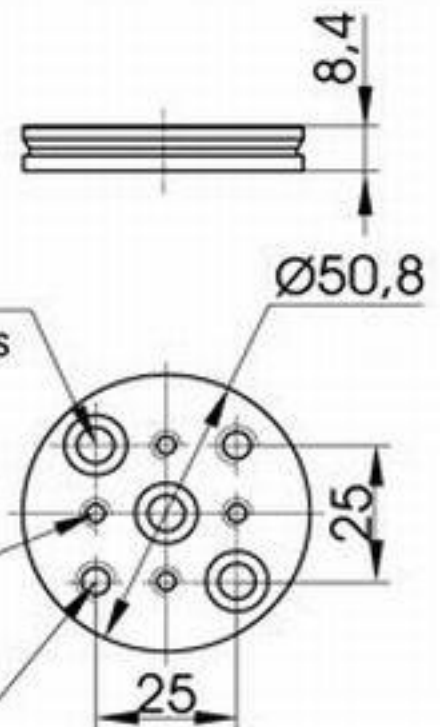


Insert platform  
7T167-25.07-01

for M6 screw  
3 clearance holes

M4  
4 holes

M6  
2 holes





# Motorized Translation Stage

# 8MT167-100-28

