

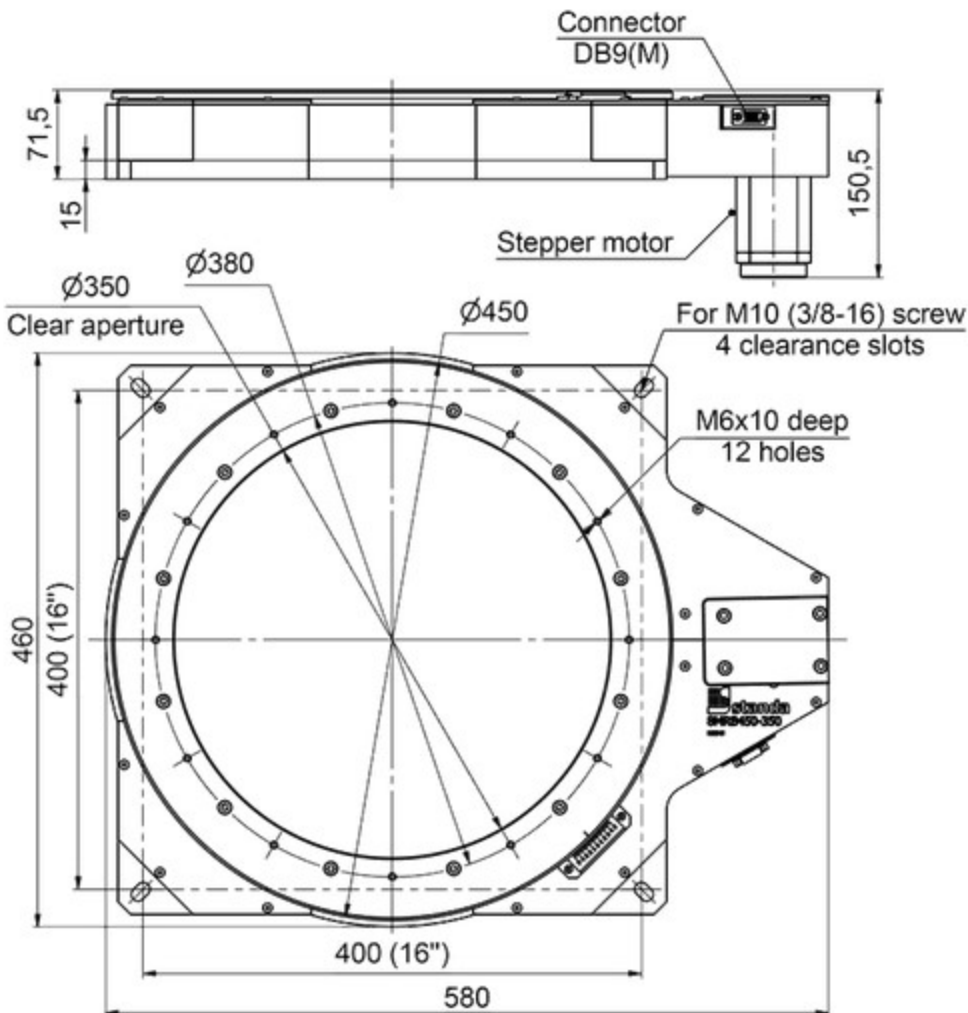


Manufacturer of Opto-Mechanical equipment for research, industry and education

P.O. Box 377  
03012 Vilnius, Lithuania  
Phone: +370-5-2651474  
Fax: +370-5-2651483  
E-mail: sales@standa.lt  
http://www.standa.it

8MRB450-350-60D

Large Motorized Rotation Stage



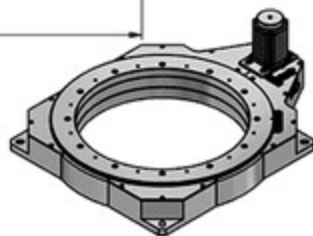
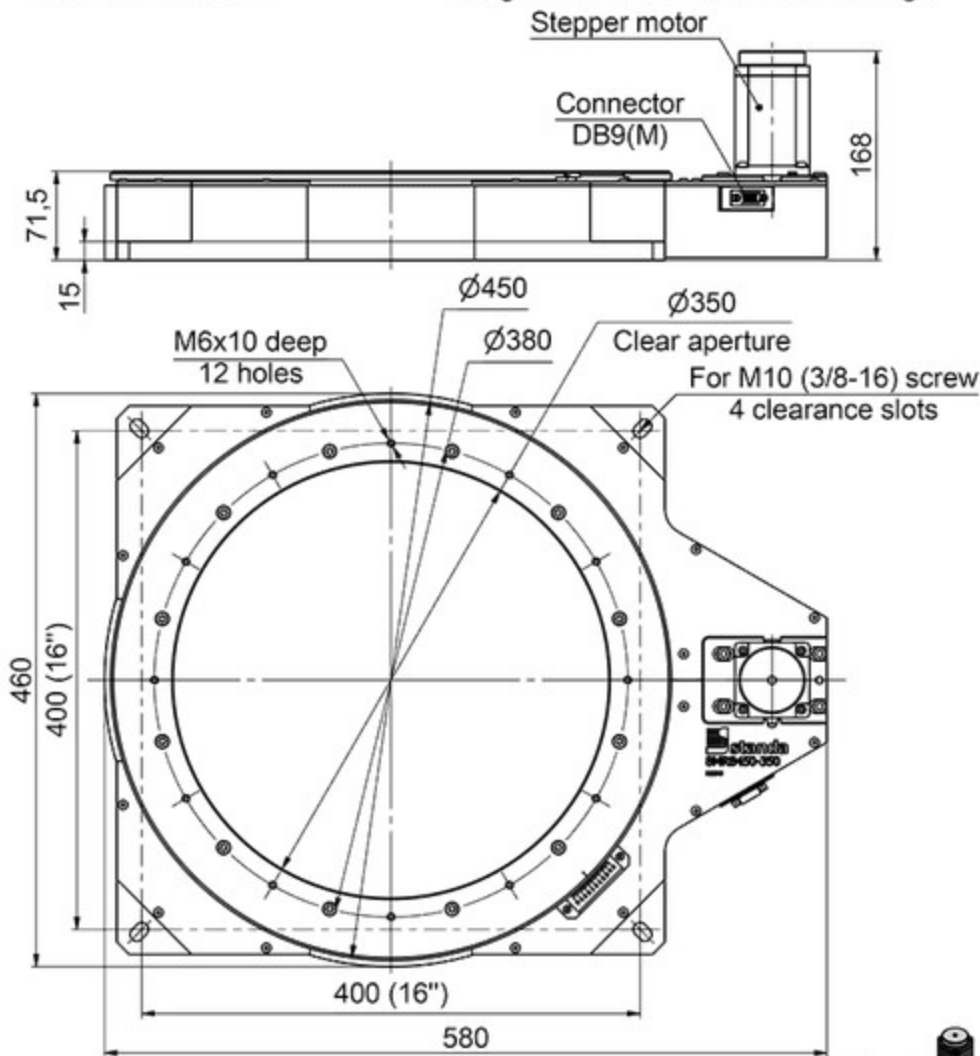


Manufacturer of Opto-Mechanical equipment for research, industry and education

P.O. Box 377  
03012 Vilnius, Lithuania  
Phone: +370-5-2651474  
Fax: +370-5-2651483  
E-mail: sales@standa.lt  
<http://www.standa.it>

**8MRB450-350-60**

**Large Motorized Rotation Stage**



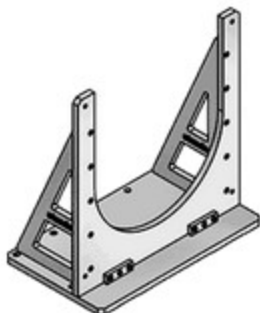
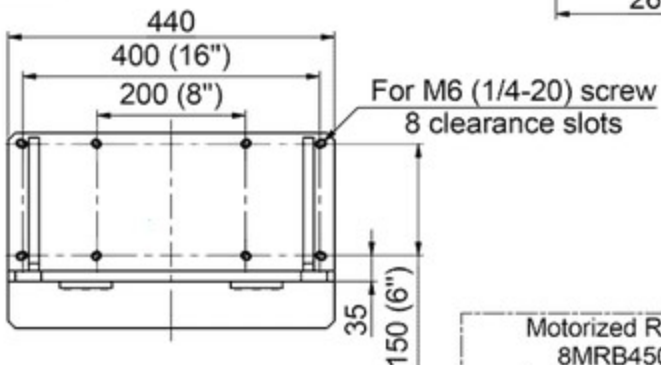
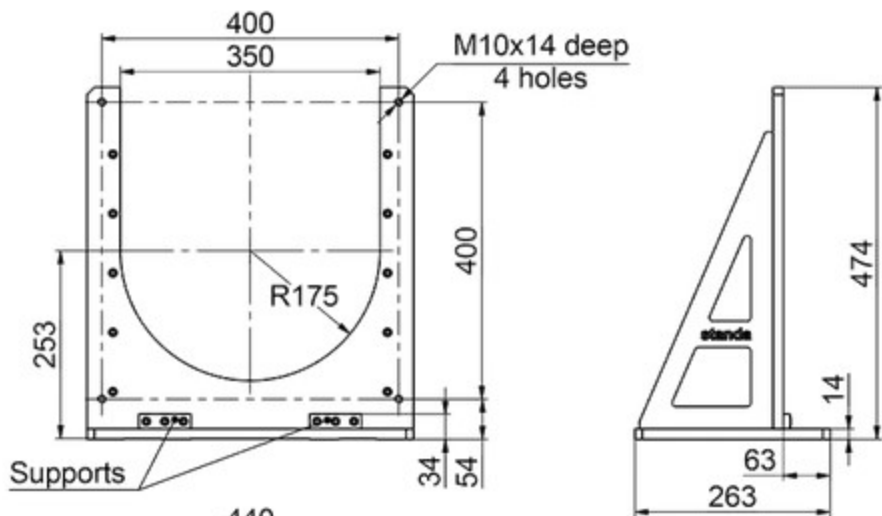


Manufacturer of Opto-Mechanical equipment for research, industry and education

P.O. Box 377  
03012 Vilnius, Lithuania  
Phone: +370-5-2651474  
Fax: +370-5-2651483  
E-mail: sales@standa.lt  
http://www.standa.it

## Angle Bracket

## 2AB450-350



Motorized Rotary Table  
8MRB450-350-60  
can be placed at different angles

