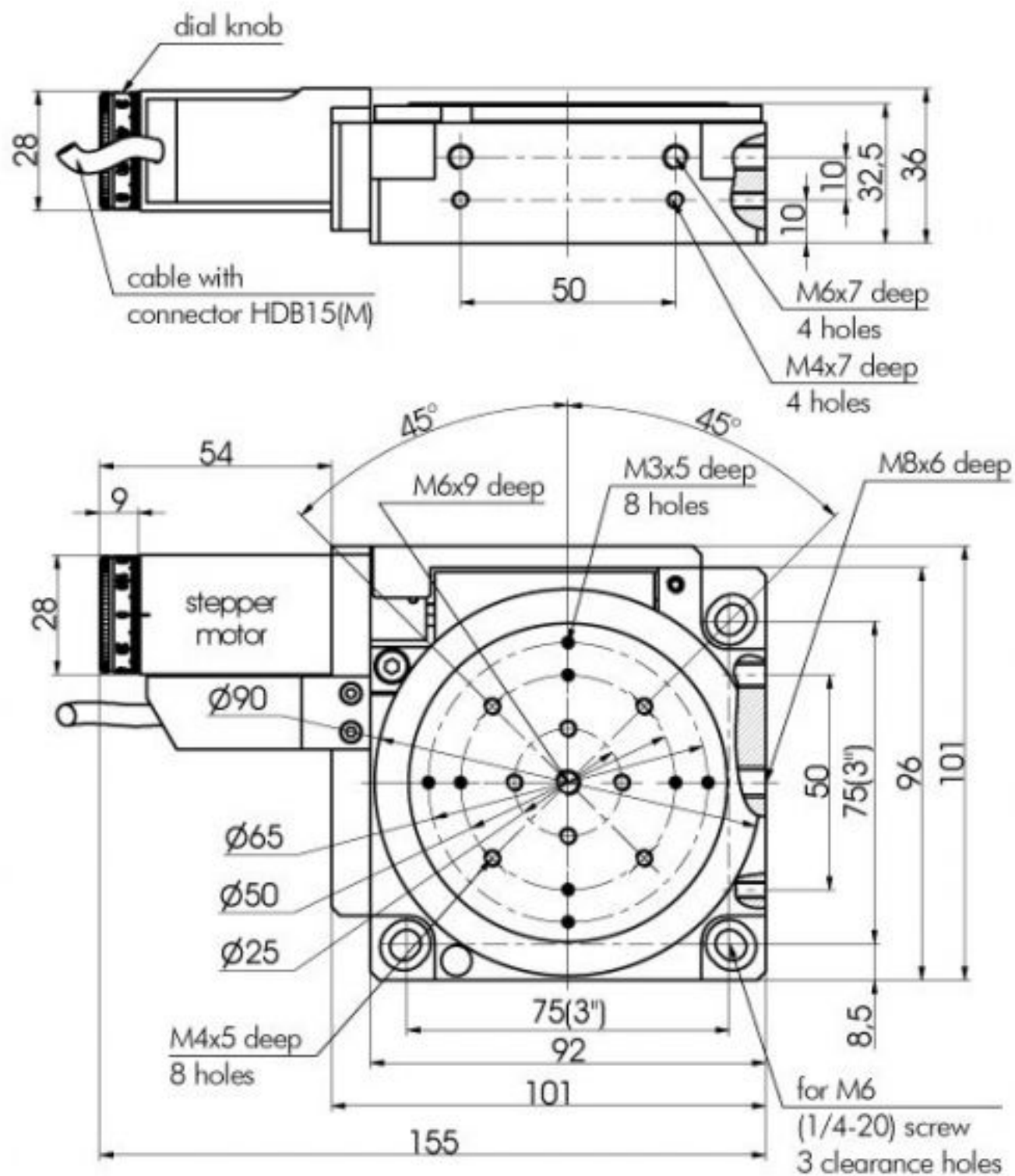




## Motorized Rotation Stage

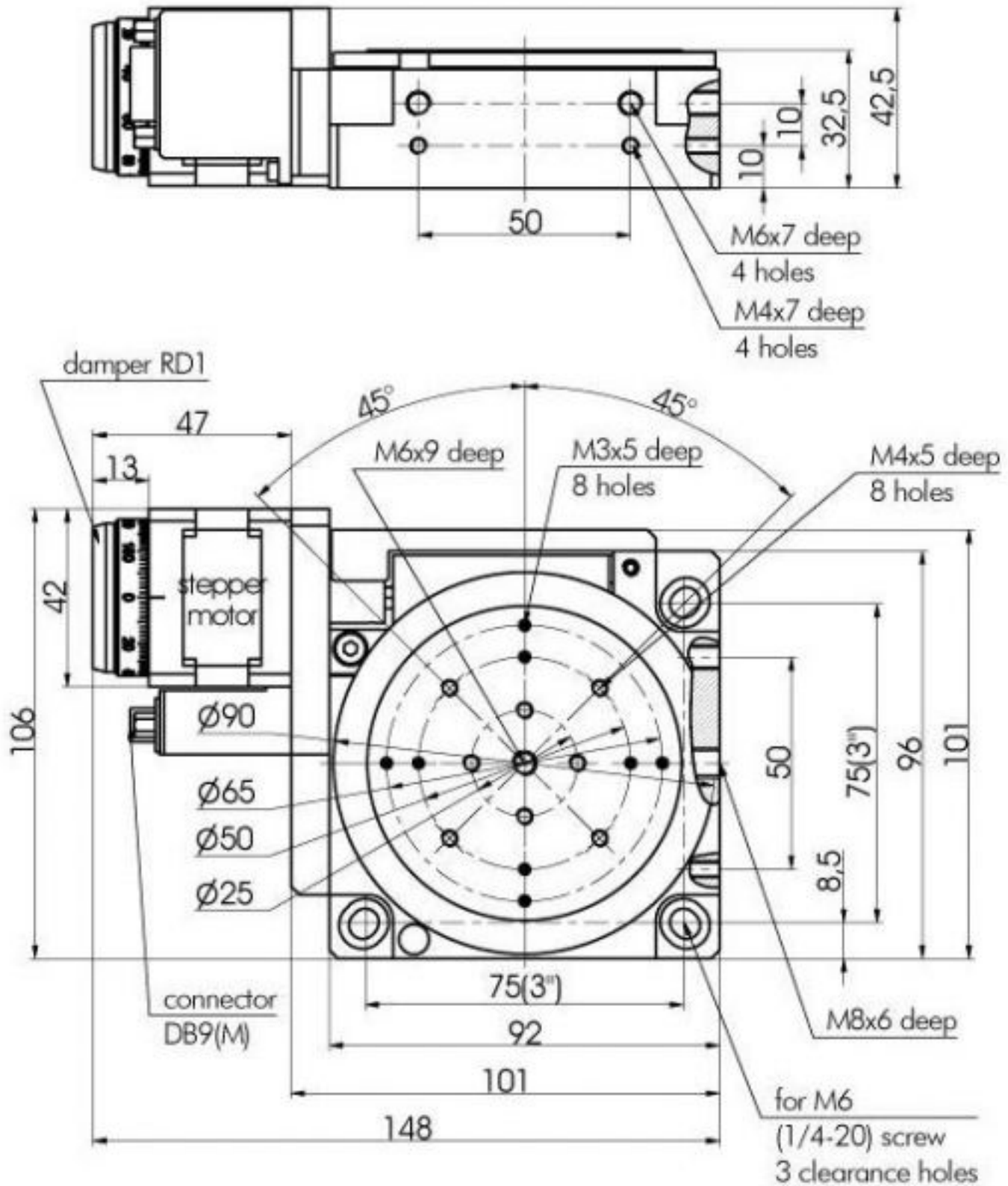
## 8MR191-28





## Motorized Rotation Stage

## 8MR191-4233

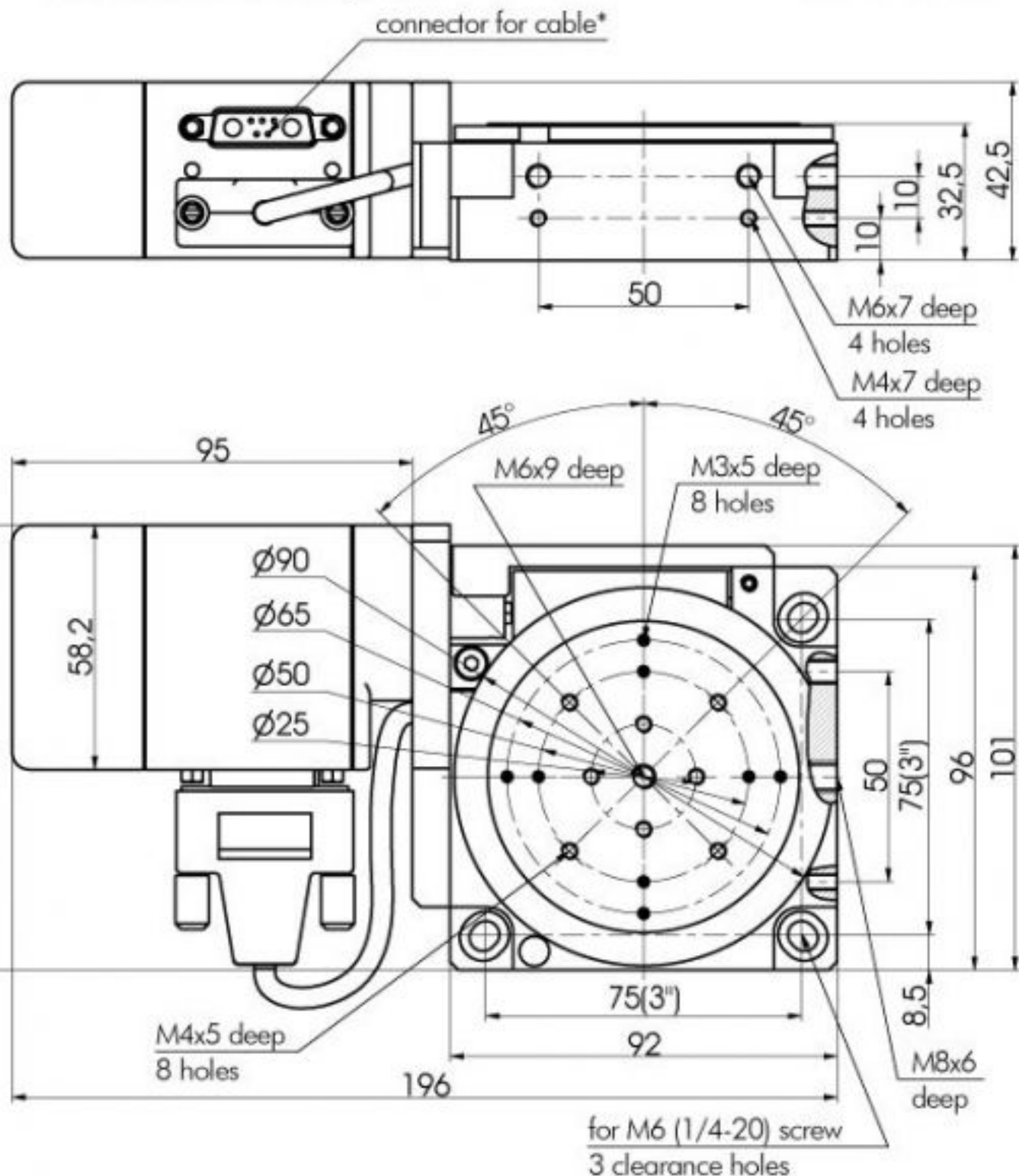






## Motorized Rotation System

## 8MR191-SM

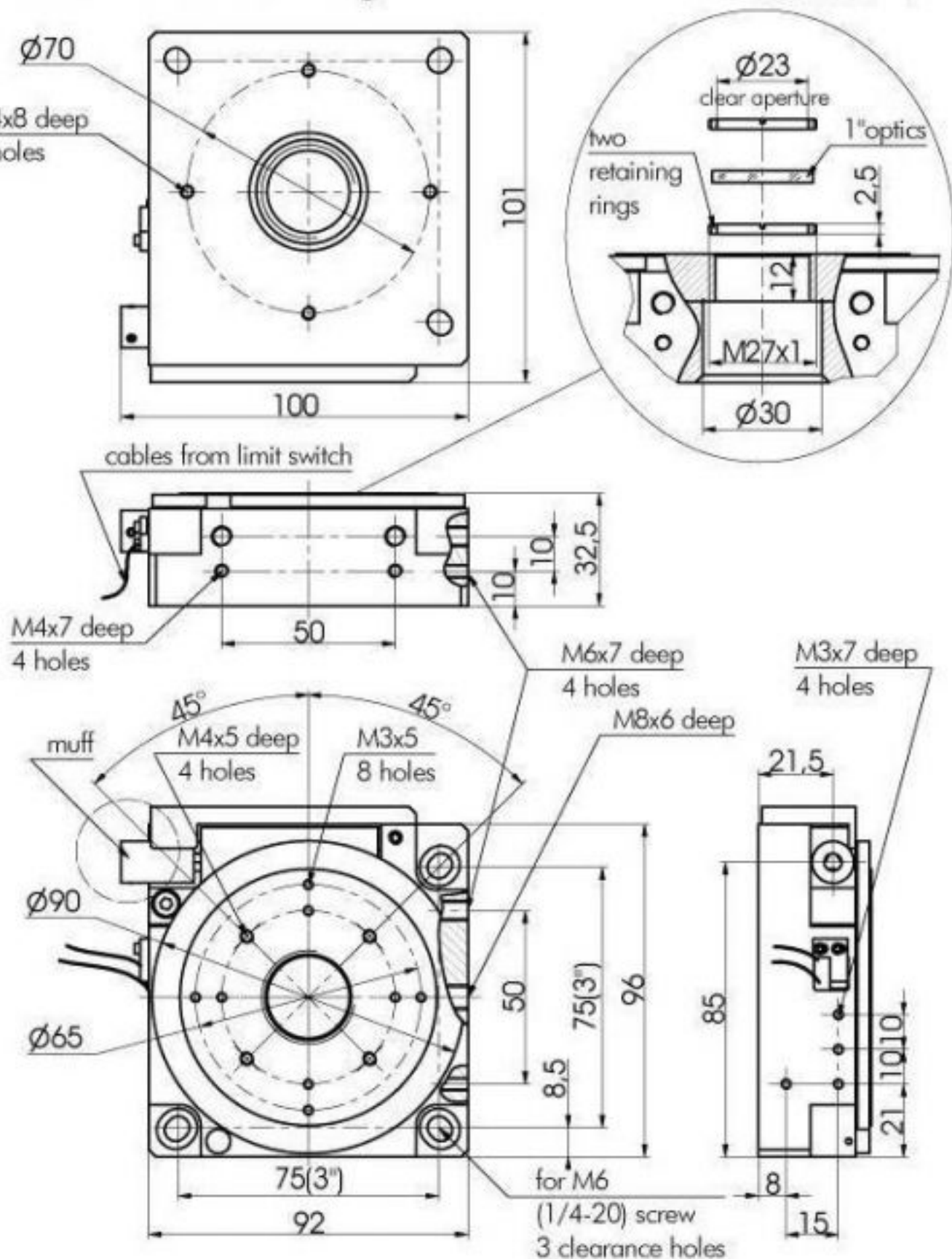


\*Cable supplied with 8MR191-SM consists of power cable and RS232 communication cable and includes connector to computer RS232 (DSUB9), connector to motor (DSUB 7W2) and power connector (SOCKET DC 2.1/5.5 mm for Cable).



## Motorized Rotation Stage

### 8MR191-1





## Motorized Rotation Stage

## 8MR191-ZSS43

