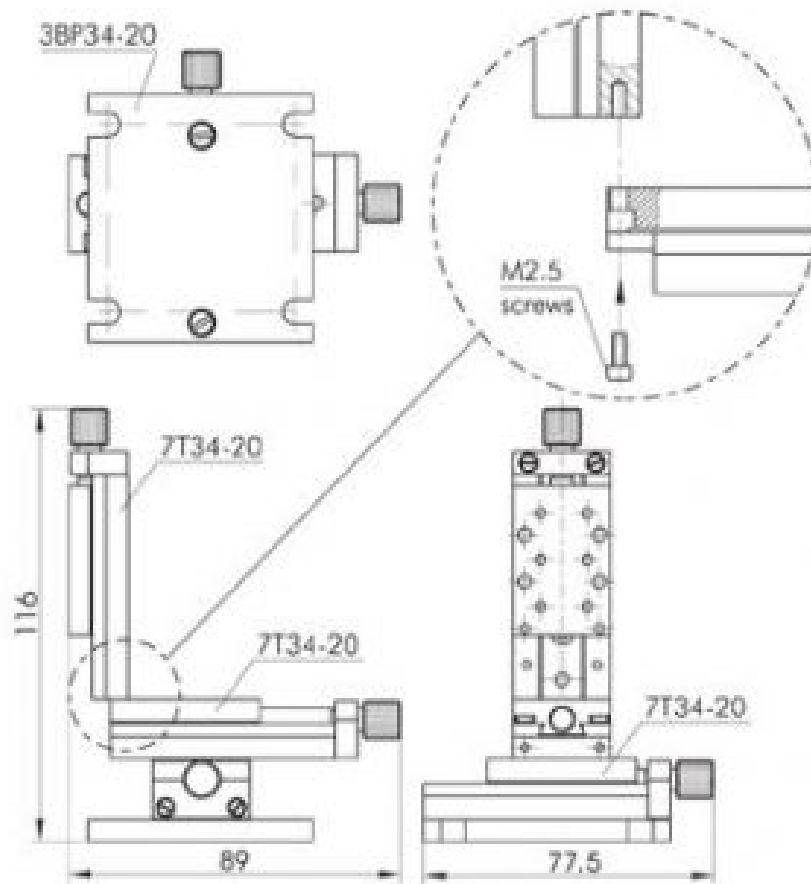


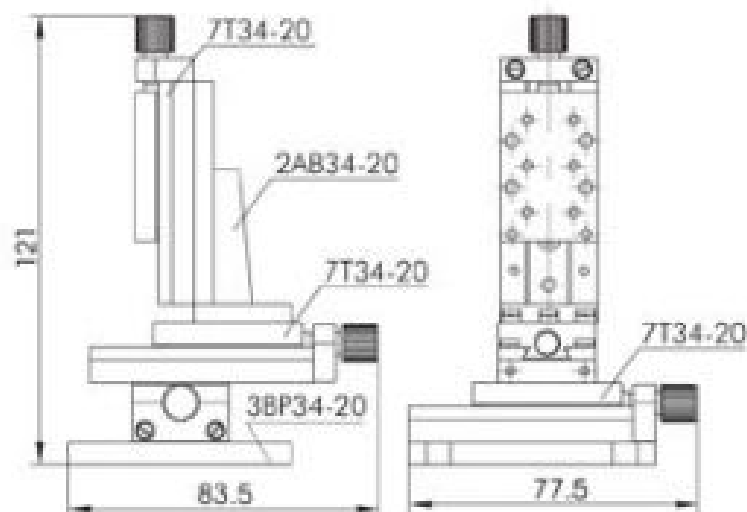
Non-Magnetic Translation Stage

7T34-20



7T34-20XYZ

For quick YZ assembly stages may be stacked using two non-magnetic M2.5 screws



7T34-20XYZ

Angle bracket 2AB34-20 allow to stabilize stack the stages for YZ motion