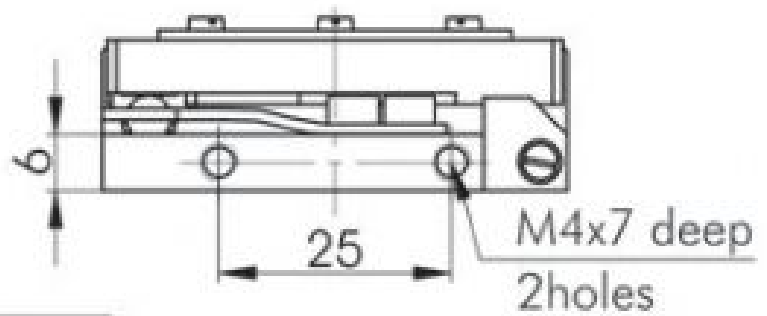




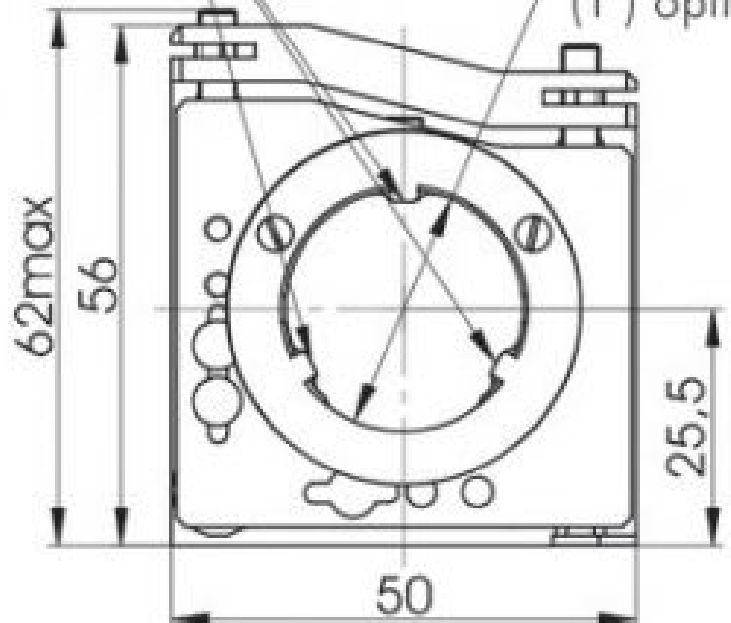
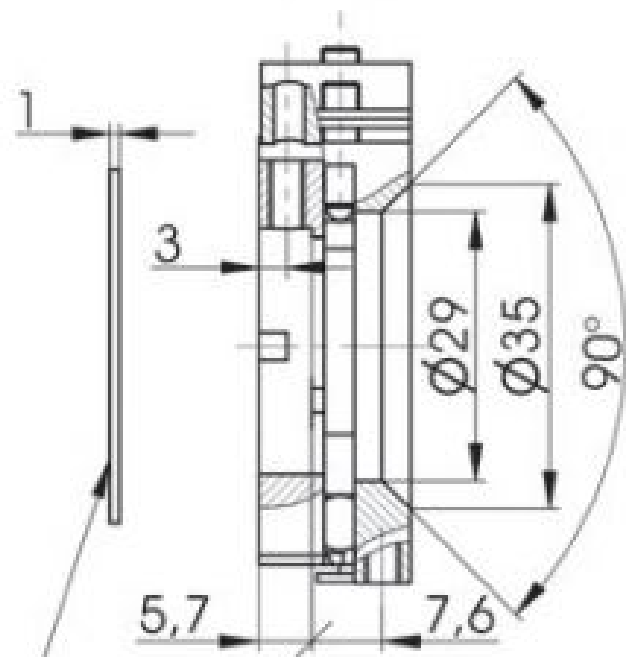
Kinematic Vertical Drive Optical Mount Vertical Drive Optical Mount

5KVDOM-1 5VDOM-1



3 points fixing optics between
the frontal spring and the back plate

for $\varnothing 25,4$
(1") optics



frontal flat spring

2 hex key hole

M4 hole
for fixing screw

