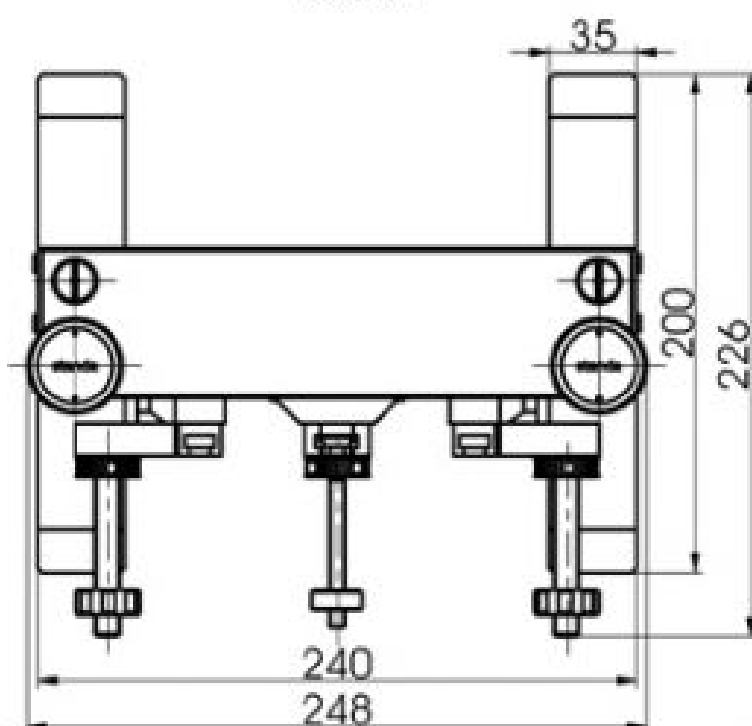
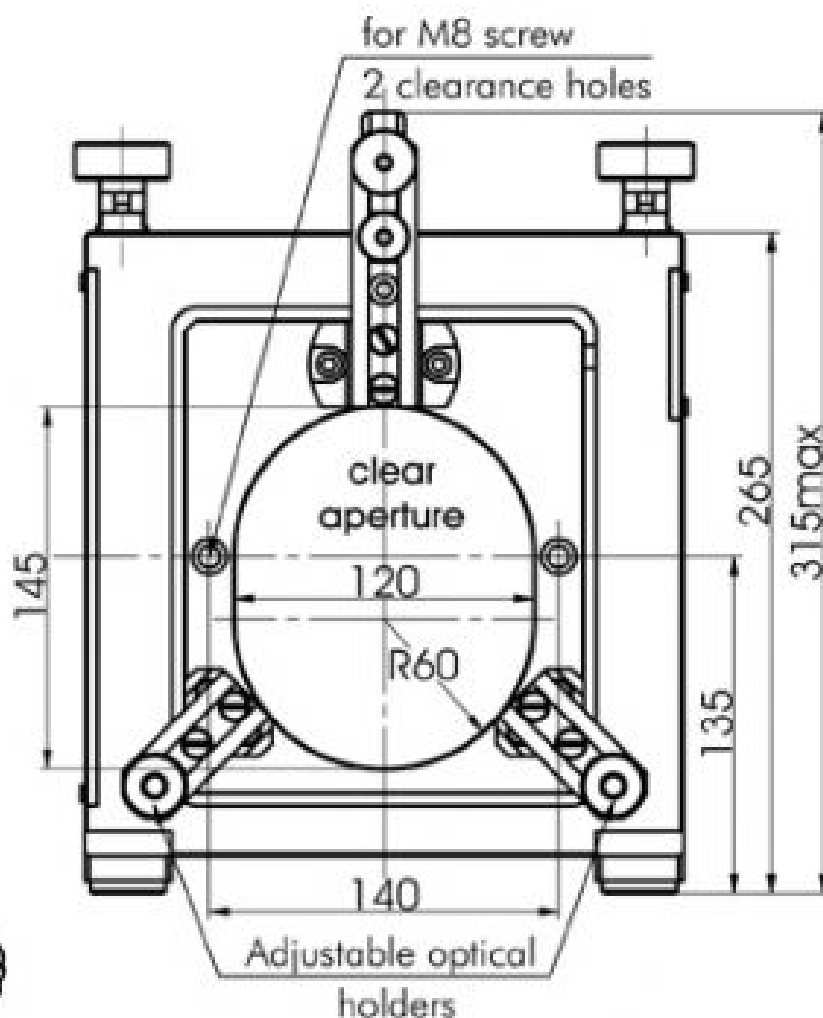
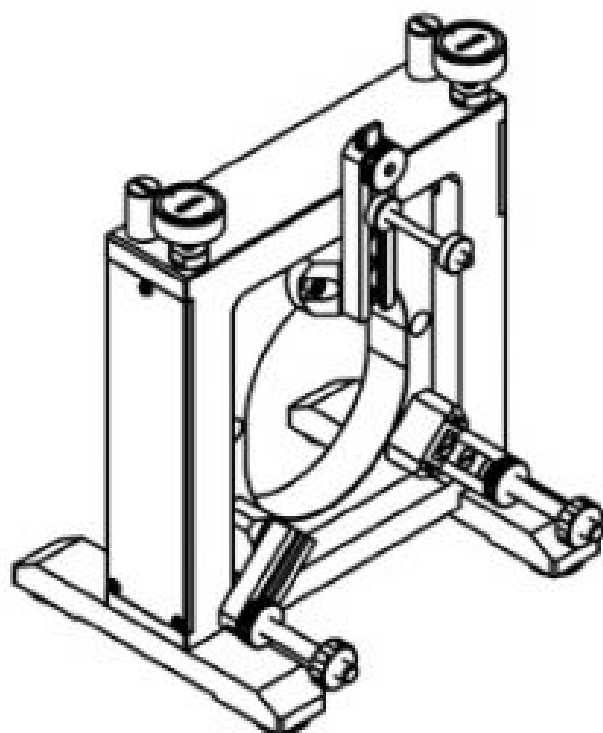


Precise Adjustment Kinematic Mount for Large Optics 5AM-250

- Rigid design
- Long-term stability
- Compact
- Adjustment screw thread pitch - 0,25 mm; vertical screw placement
- Additional accessories



Specification

- 2 axes
- Horizontal rotation range $\pm 1,5^\circ$
- Vertical yaw range $\pm 1,5^\circ$
- Sensitivity 0,5 arcsecond
- Load capacity 10 kg
- Compatible with optical elements
Diameter: 115÷250 mm*
- Thickness: up to 52 mm**
- Weight: 10,1 kg

* Optics diameter up to 500 mm on request

** Optics thickness up to 100 mm on request