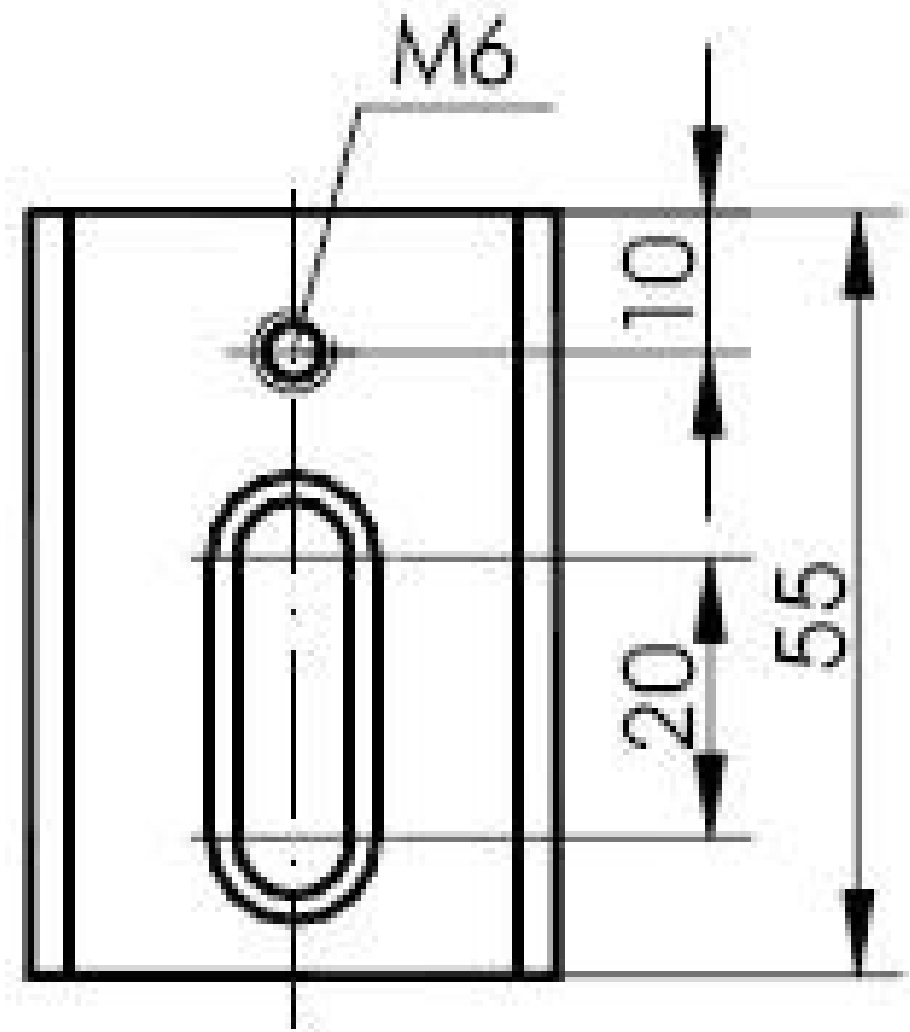


2OR6-55T



2OR6-55