

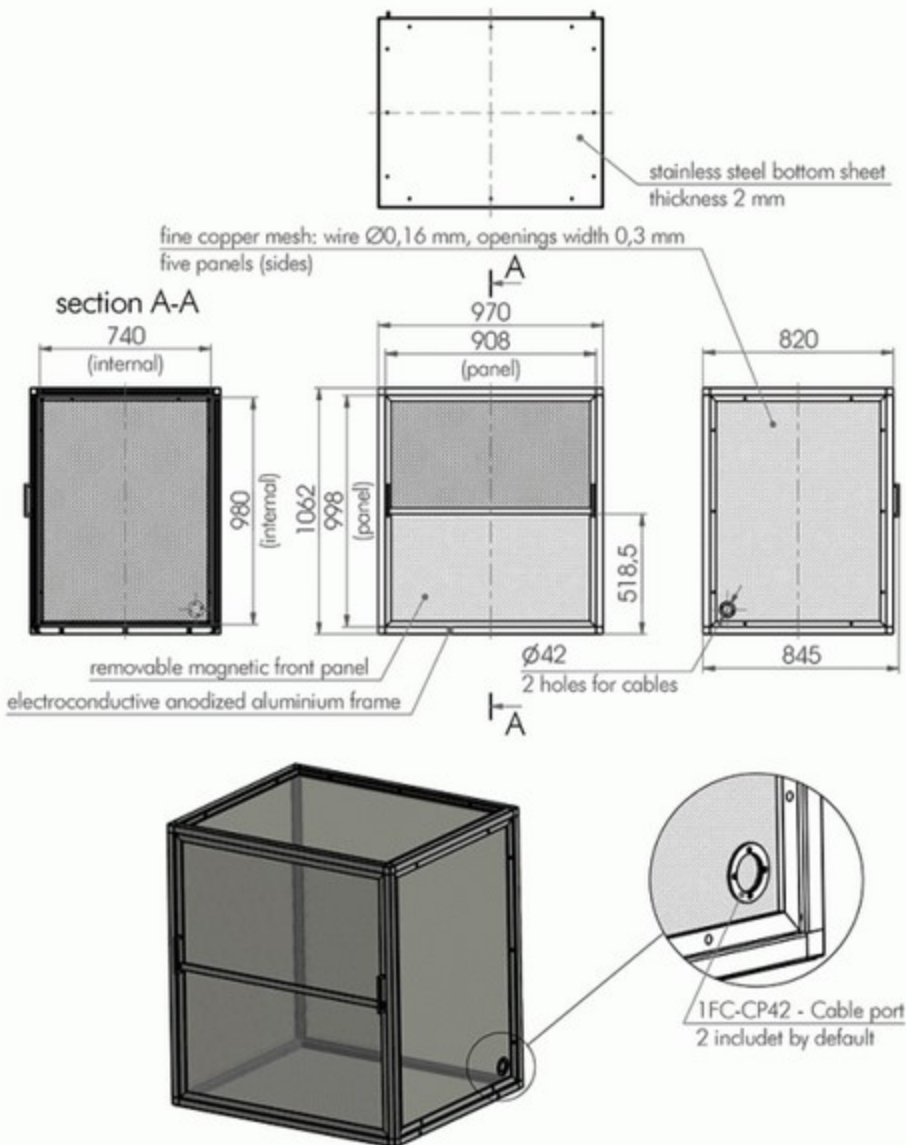


Manufacturer of Opto-Mechanical equipment for research, industry and education

P.O. Box 377
03012 Vilnius, Lithuania
Phone: +370-5-2651474
Fax: +370-5-2651463
E-mail: sales@standa.lt
http://www.standa.lt

Free Standing Faraday Cage

1FC-075-09-10.6





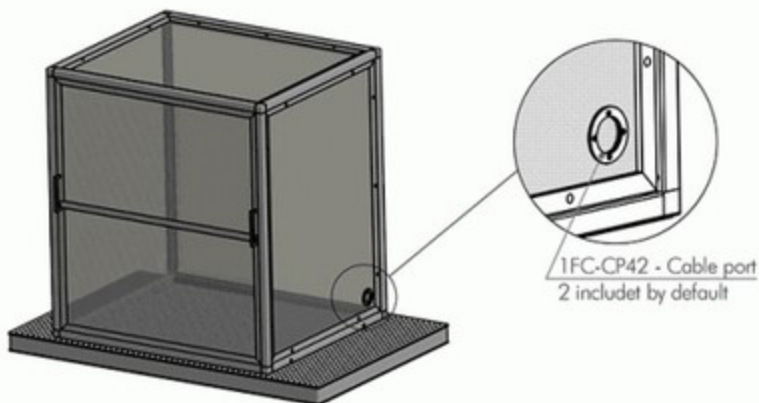
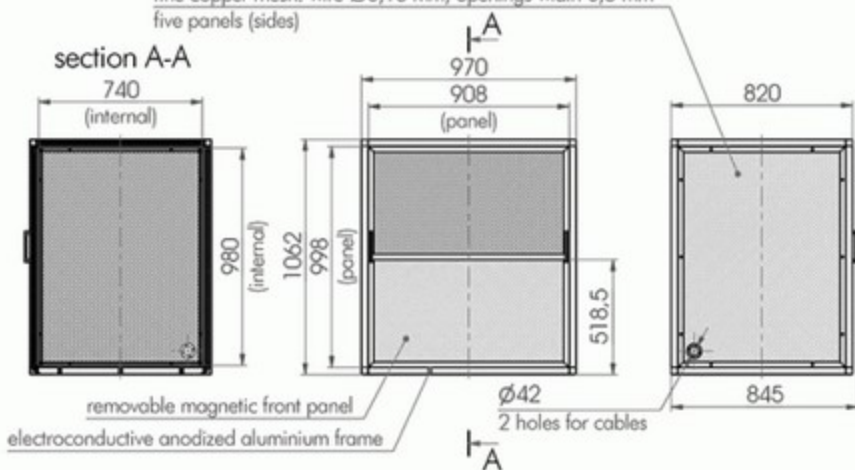
Manufacturer of Opto-Mechanical equipment for research, industry and education

P.O. Box 377
03012 Viterbo, L'Inghilterra
Phone: +370-5-2651474
Fax: +370-5-2651483
E-mail: sales@standa.it
http://www.standa.it

Faraday Enclosure (no bottom)

1FC-075-09-10.6B

fine copper mesh: wire $\varnothing 0,16$ mm, openings width 0,3 mm
five panels (sides)





Manufacturer of Opto-Mechanical equipment for research, industry and education

P.O. Box 377
03012 Vilnius, Lithuania
Phone: +370-5-2651474
Fax: +370-5-2651463
E-mail: sales@standa.lt
<http://www.standa.lt>

Faraday Cage Workstation

1FC-075-09-10.6W

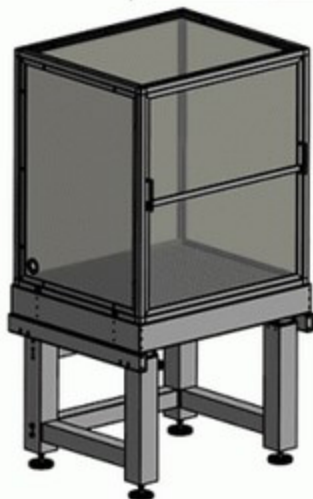
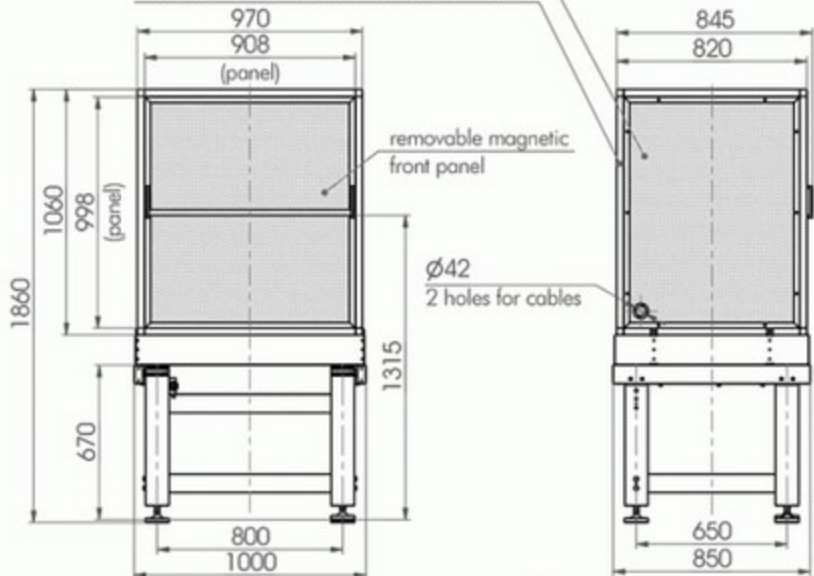
fine copper mesh: wire \varnothing 0,16 mm, openings width 0,3 mm

five panels (sides)

electroconductive anodized aluminium frame

removable magnetic
front panel

\varnothing 42
2 holes for cables



Armrest
1VISTOWArm-900

Optionally you may order
Faraday Cage
Workstation
with Armrest
on the front side

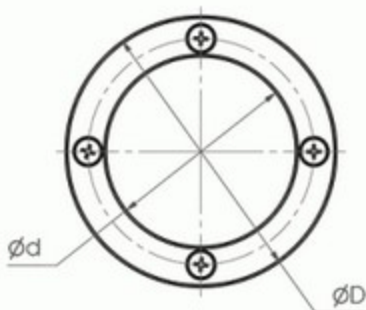


Manufacturer of Opto-Mechanical equipment for research, industry and education

P.O. Box 377
03012 Vilnius, Lithuania
Phone: +370-5-2651474
Fax: +370-5-2651483
Email: sales@standa.lt
<http://www.standa.lt>

Faraday Cage Cable Port

1FC-CP



Model	D	d
1FC-CP42	60	42
1FC-CP100	118	100
1FC-CPXX	Custom	

