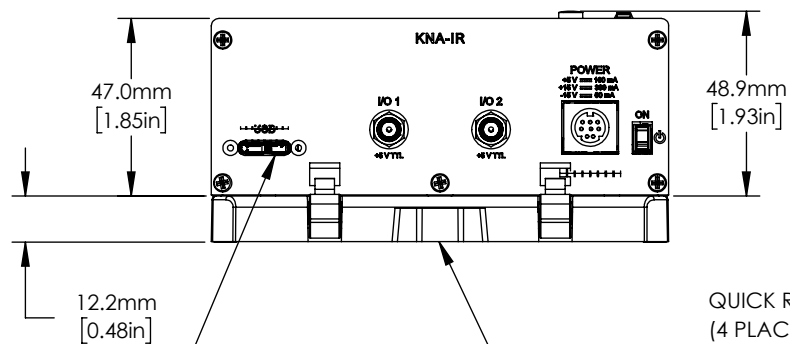
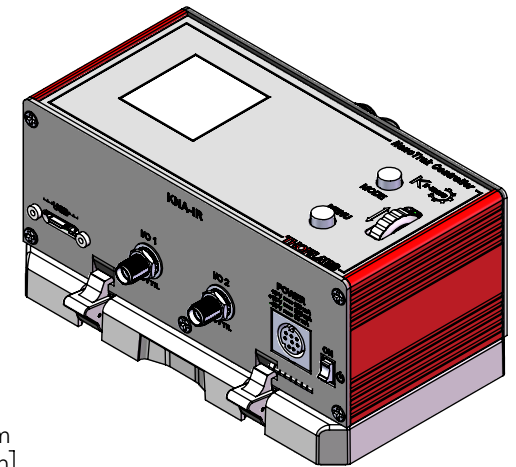


ADAPTER PLATE

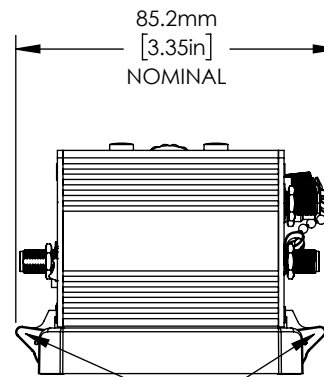
7.0mm [0.27in]
MOUNTING SLOTS FOR USE WITH M6 OR 1/4-20 SCREWS (2 PLACES)

15.0mm [0.59in]
8.2mm [0.32in] DEEP

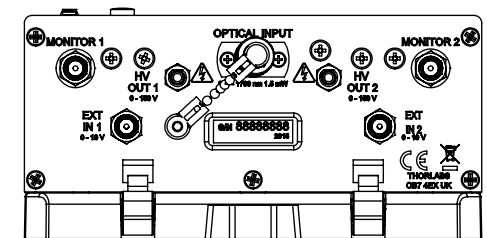


USB CABLE INCLUDED

MOUNTING MAGNETS ON UNDERSIDE OF ADAPTER PLATE FOR BRIEF PLACEMENT



QUICK RELEASE CLAMPS (4 PLACES)



FOR INFORMATION ONLY
NOT FOR MANUFACTURING PURPOSES

DRAWING PROJECTION

	NAME	DATE
DRAWN	IK	19/FEB/2019
APPROVAL	DJG	29/JUL/2019

COPYRIGHT © 2019 BY THORLABS

VALUES IN PARENTHESIS ARE CALCULATED AND MAY CONTAIN ROUND OFF ERRORS

THORLABS
www.thorlabs.com

KINESIS NANOTRAK® CONTROLLER WITH INFRARED DETECTOR		REV B
MATERIAL	N/A	
ITEM #	KNA-IR	APPROX WEIGHT 0.45 kg