



ATH 2804 MT, DN 250 ISO-F, Remote, Water cooled, Heated, integrated drive electronic

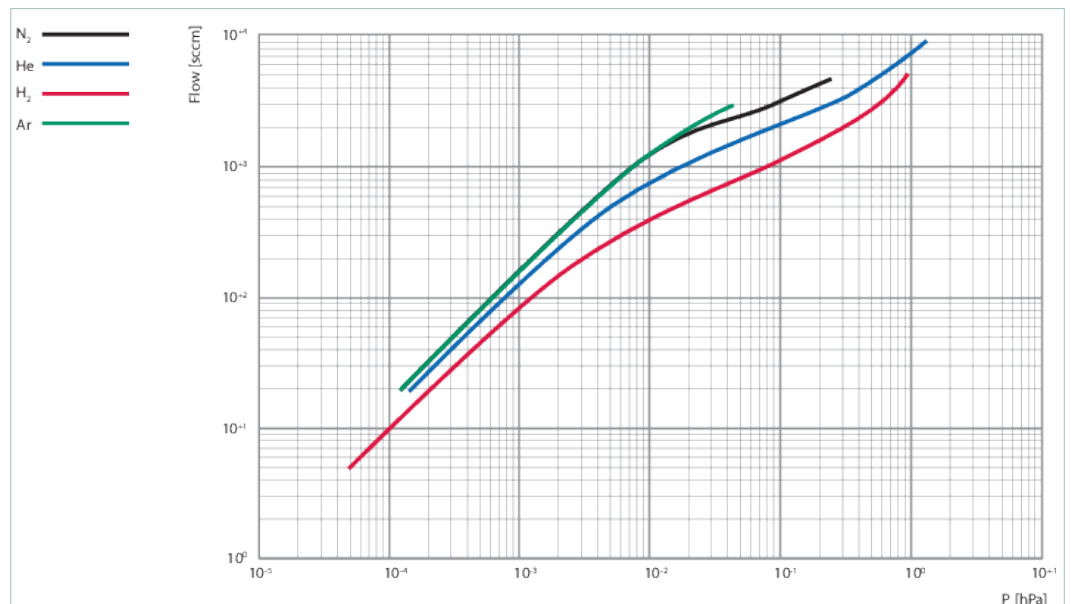
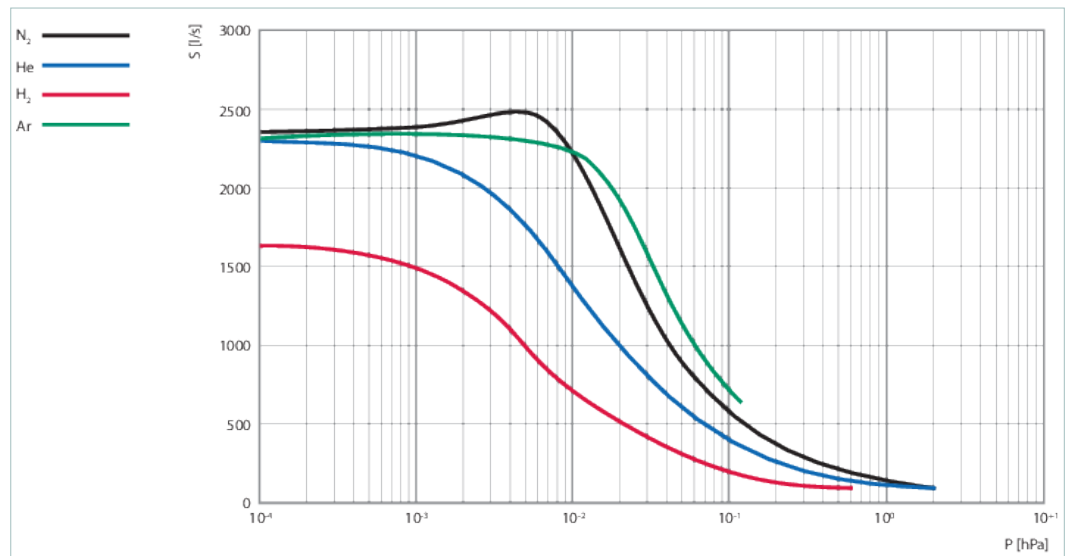
ATH 2804 MT, DN 250 ISO-F, Remote, Water cooled, Heated,
integrated drive electronic



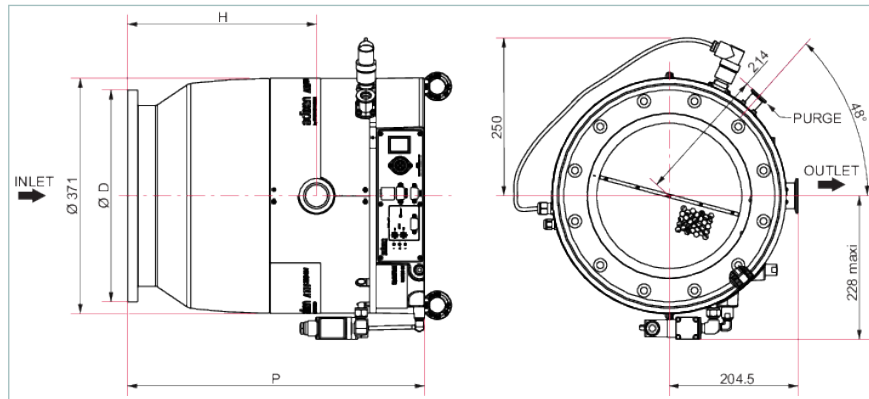
Similar Image

ATH 2804 MT, DN 250 ISO-F, Remote, Water cooled, Heated, integrated drive electronic

- 5-axis magnetically levitated turbopump with drag stage for a pump speed of up to 2350 l/s for N₂
- DN 250 ISO-F inlet flange
- Compact integrated drive electronics
- Installation in any orientation
- Remote, Water cooled, Temperature management System, pump integrated drive electronics
- CE marked and ROHS compliant



Dimensions



D	335 mm
H	300 mm
P	471 mm

Technical Data	ATH 2804 MT, DN 250 ISO-F, Remote, Water cooled, Heated, integrated drive electronic
Bearing	5 axe magnetically Levitated
Compression ratio for Ar	$> 1 \cdot 10^9$
Compression ratio for H ₂	$4.9 \cdot 10^4$
Compression ratio for He	$9 \cdot 10^4$
Compression ratio for N ₂	$> 1 \cdot 10^9$
Cooling method	Water
Cooling water consumption	1 l/m
Cooling water temperature	15-25 °C
Electronic drive unit	integrated drive electronics
Flange (in)	DN 250 ISO-F
Flange (out)	DN 40/50 ISO-KF
Fore-vacuum max. for N ₂	3 hPa 2.25 Torr 3 mbar
Gas throughput for Ar	41.6 hPa l/s 31.2 Torr l/s 41.6 mbar l/s
Gas throughput for N ₂	83.3 hPa l/s 62.48 Torr l/s 83.3 mbar l/s
Interfaces	Remote
Mounting orientation	in any orientation
Operating voltage	200-240 V AC, 50/60 Hz, single phase
Power consumption at ultimate pressure	590 W
Pumping speed for Ar	2350 l/s
Pumping speed for H ₂	1650 l/s
Pumping speed for He	2300 l/s
Pumping speed for N ₂	2350 l/s
Rotation speed max.	25,000 rpm 25,000 min ⁻¹
Run-up time	< 8 min
Separate electronic drive unit	NO
Ultimate pressure	$< 6 \cdot 10^{-9}$ hPa $< 4.5 \cdot 10^{-9}$ Torr $< 6 \cdot 10^{-9}$ mbar
Weight	101 kg 222.66 lb

Order number

ATH 2804 MT

TMAAA6661101

Accessories	
Electronic controllers	
Hand Held Remote (HHR) with cable	114461
Inlet screen	
Aluminum inlet screen kit for DN250	123537
Stainless inlet screen kit for DN250 - M 8	121607
Mounting kits	
Mounting bolts for ISO-F (for ATH 500 M, DN160; ATH 1600 M, DN 200/250; ATH 2300 M, ATH 2800 M, ATH 2804 M, DN 250) without centering ring	110676S

VACUUM SOLUTIONS FROM A SINGLE SOURCE

Pfeiffer Vacuum stands for innovative and custom vacuum solutions worldwide, technological perfection, competent advice and reliable service.

COMPLETE RANGE OF PRODUCTS

From a single component to complex systems:

We are the only supplier of vacuum technology that provides a complete product portfolio.

COMPETENCE IN THEORY AND PRACTICE

Benefit from our know-how and our portfolio of training opportunities!

We support you with your plant layout and provide first-class on-site service worldwide.

Are you looking for a
perfect vacuum solution?
Please contact us:

Pfeiffer Vacuum GmbH
Headquarters · Germany
T +49 6441 802-0
info@pfeiffer-vacuum.de

www.pfeiffer-vacuum.com

All data subject to change without prior notice.

PFEIFFER  **VACUUM**