

Keysight 1181BZ Testmobile System

Operating Instructions

Warranty

THE MATERIAL CONTAINED IN THIS DOCUMENT IS PROVIDED "AS IS," AND IS SUBJECT TO BEING CHANGED, WITHOUT NOTICE, IN FUTURE EDITIONS. FURTHER, TO THE MAXIMUM EXTENT PERMITTED BY APPLICABLE LAW, KEYSIGHT DISCLAIMS ALL WARRANTIES, EITHER EXPRESS OR IMPLIED, WITH REGARD TO THIS MANUAL AND ANY INFORMATION CONTAINED HEREIN, INCLUDING BUT NOT LIMITED TO THE IMPLIED WARRANTIES OF MERCHANTABILITY AND FITNESS FOR A PARTICULAR PURPOSE. KEYSIGHT SHALL NOT BE LIABLE FOR ERRORS OR FOR INCIDENTAL OR CONSEQUENTIAL DAMAGES IN CONNECTION WITH THE FURNISHING, USE, OR PERFORMANCE OF THIS DOCUMENT OR OF ANY INFORMATION CONTAINED HEREIN. SHOULD KEYSIGHT AND THE USER HAVE A SEPARATE WRITTEN AGREEMENT WITH WARRANTY TERMS COVERING THE MATERIAL IN THIS DOCUMENT THAT CONFLICT WITH THESE TERMS, THE WARRANTY TERMS IN THE SEPARATE AGREEMENT SHALL CONTROL.

U.S. Government Rights.

The Software is "commercial computer software," as defined by Federal Acquisition Regulation ("FAR") 2.101. Pursuant to FAR 12.212 and 27.405-3 and Department of Defense FAR Supplement ("DFARS") 227.7202, the U.S. government acquires commercial computer software under the same terms by which the software is customarily provided to the public. Accordingly, Keysight provides the Software to U.S. government customers under its standard commercial license, which is embodied in its End User License Agreement (EULA), a copy of which can be found at <http://www.keysight.com/find/sweula>. The license set forth in the EULA represents the exclusive authority by which the U.S. government may use, modify, distribute, or disclose the Software. The EULA and the license set forth therein, does not require or permit, among other things, that Keysight: (1) Furnish technical information related to commercial computer software or commercial computer software documentation that is not customarily provided to the public; or (2) Relinquish to, or otherwise provide, the government rights in excess of these rights customarily provided to the public to use, modify, reproduce, release, perform, display, or disclose commercial computer software or commercial computer software documentation. No additional government requirements beyond those set forth in the EULA shall apply, except to the extent that those terms, rights, or licenses are explicitly required from all providers of commercial computer software pursuant to the FAR and the DFARS and are set forth specifically in writing elsewhere in the EULA. Keysight shall be under no obligation to update, revise or otherwise modify the Software. With respect to any technical data as defined by FAR 2.101, pursuant to FAR 12.211 and 27.404.2 and DFARS 227.7102, the U.S. government acquires no greater than Limited Rights as defined in FAR 27.401 or DFAR 227.7103-5 (c), as applicable in any technical data.

Description

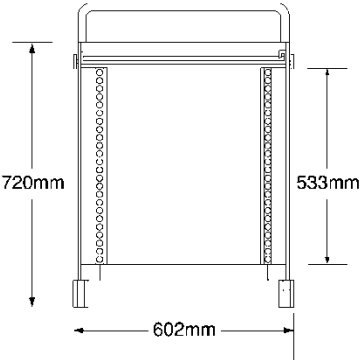
The Keysight Technologies Model 1181BZ Testmobile system cart provides convenient mobility for your instruments. It allows you to easily view and use the instrument while seated at a workstation or bench. You can tilt the instrument up to 30 degrees for viewing comfort. A nylon strap is provided to secure the instrument to the cart.

The Keysight 1181BZ casters have mar-resistant hard rubber tires. The wheels have locking brakes. The tilt tray is designed to be used with instruments that weigh up to 90.7 kg (200 lbs).

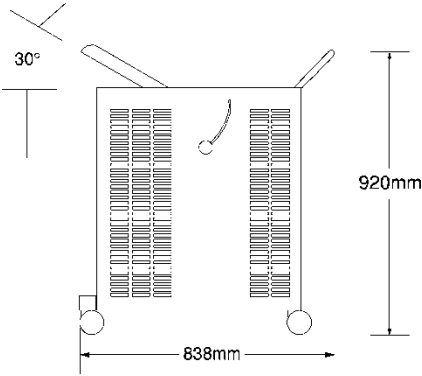
Initial Inspection

Inspect the shipping container for damage. If there is apparent damage to the shipping container or packaging materials, do not discard these materials until the Testmobile cart has been inspected for damage. If it has been damaged in shipment, notify the carrier and the nearest Keysight Technologies Sales/Service office.

Assembly Instructions



Left, Testmobile cart back view



Right, Testmobile cart side view

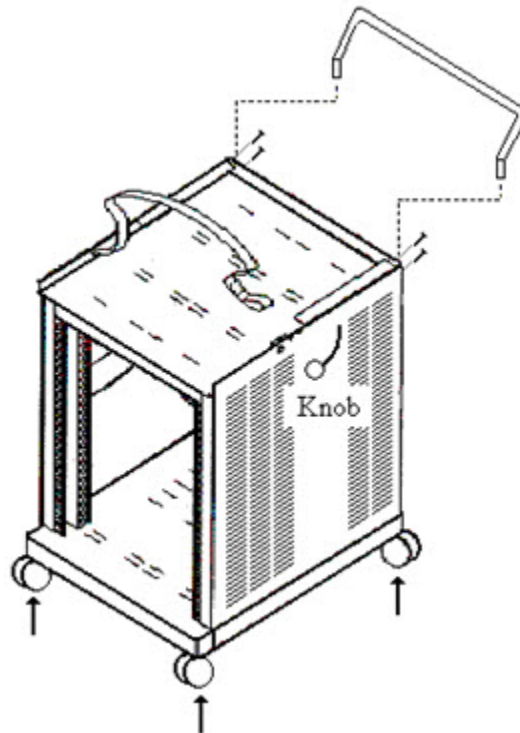
The Keysight 1181BZ is shipped virtually assembled except for its handle, casters, and knobs.

Assemble the Tubular Handle and Casters

Item	Quantity	Description
1	4	Caster, 5 inch diameter , with brakes
2	4	Pan Head Screws, 10-32x0.75 inch
3	1	Handle, Tubular
4	2	Knob

NOTE

Use a T-25 Torx driver to attach the handle with the 10-32 screws. Install the casters by pushing them into the caster brackets in the four corners of the base.

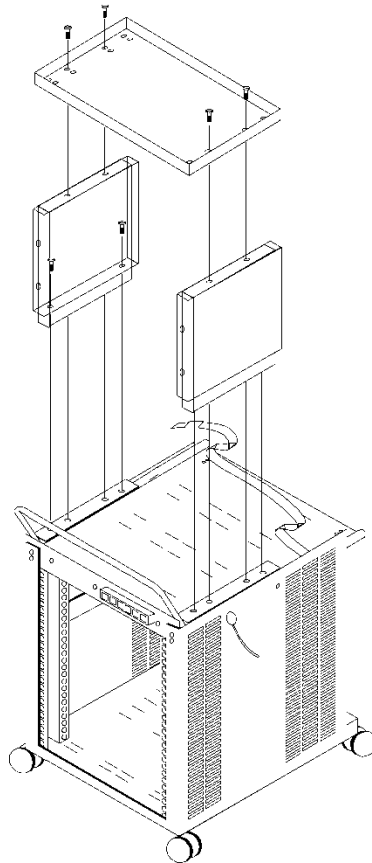


The knob on each side is used to lock the position of the tilt tray. However, these knobs are not installed in the unit as shipped (to protect the knobs from damage). Instead, packing screws lock the tray for shipment. Remove the packing screw (discard) on each side and replace it with the knob provided. Tighten the knobs to lock the tilt tray.

Instrument Mounting

WARNING

Observe load and center-of-gravity limits. Do not sit or stand on cart. Max load, top tray: 90.7 kg (200 lbs.). Max load, total: 226.8 kg (500 lbs.).



Testmobile cart with hold-down strap in place optional 35181H Printer/Plotter Stand.

Assembly Instructions

Insert the clip nuts at the appropriate holes in the rack mount column and use the screws (included) to attach the rails to the rack mount column.

To Mount the Instrument on the Cart

Center the instrument on the tilt tray. Some instruments have feet that have features to engage the slots in the surface of the tilt tray. If your instrument has such features, engage them to secure the instrument on the tray.

CAUTION

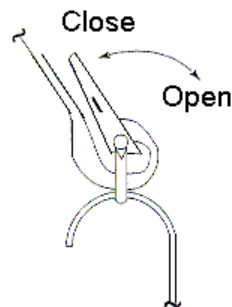
Do not place the metal front legs of the instrument in an upright position. Allow the instrument to rest on all four anti-skid hard rubber feet, secured as above.

Assemble the Retaining Straps

Place the retaining strap over the top of the instrument and engage the fastener in the hook on the right side of the stand (as viewed from the front). Hold the fastener in the hook, thread the strap through the fastener, and pull up the excess.



Lock the fastener by closing it as shown below:

**CAUTION**

Do not force the fastener closed. If it is difficult to close the fastener, loosen the strap and allow slightly more slack. When adjusted properly, the fastener should close with little effort.

Operating the Tilt Tray

The tilt tray is adjustable from 0 to 30 degrees. This allows you to select a comfortable viewing angle. The cart is equipped with a knob on each side of the cabinet used to tighten and secure the desired angle of the tilt tray.

CAUTION

Make sure that the instrument is properly secured with the strap before tilting the tray to avoid possible instrument damage.

To Set the Tilt Tray

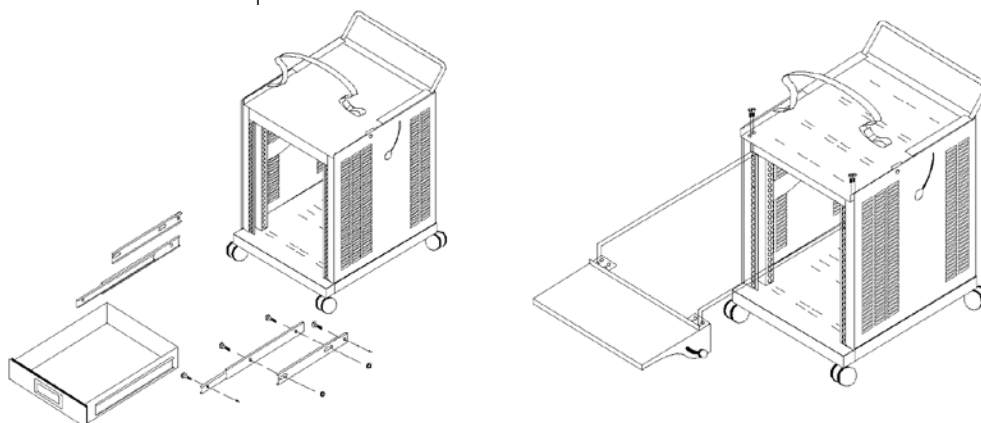
Loosen the knobs on each side of the cabinet. Set the desired angle. Tighten both knobs to secure the tray position.

Mounting Instructions (Rack Portion)

The useable rack mount portion is 533.4 mm (21 in) high for instruments up to 609.6 mm (24 in) deep. Note: Depending on the required tilt angle for the tilt tray some of the available rack mount space will be lost.

Support Rail Mounting

If more than one instrument needs to be rack mounted, the 5957-8476C Rack mount Rail Kit should be used. One set of support rails and the mounting hardware comes with each 1181BZ System Testmobile cart. Additional rail kits can be ordered as replacement units.



Keysight 35181J 3.5 in High Drawer and Keysight 3518M 5.25 in High Drawer (Left), and Keysight 35181K Work Surface

NOTE

Please use a T-15 Torx Driver for the M4 screws

Accessories

P/N	Product Descriptions
35181H	Top mounted printer/plotter stand
35181K	Work surface

Specifications

	Specification
Dimensions:	H x W x D = 920 x 602 x 838 mm (36.2 x 23.7 x 33.0 inches)
Wheel Size:	127.0 mm (5 inches) diameter
Tilt angle of tray:	30 degrees maximum
Load limits of tilt tray:	90.7 kg (200 lbs)
Load limits of cart:	226.8 kg (500 lbs) Including load capacity of rack portion and tray.

Replaceable Parts

Contact your Keysight Technologies Sales/Service Office for information on obtaining replacement parts.

