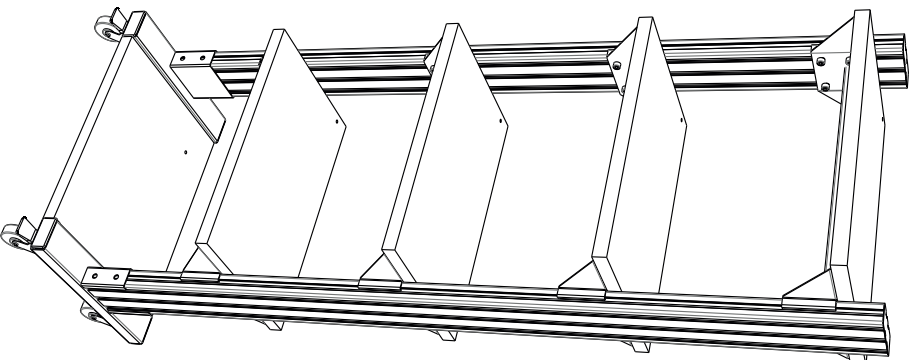




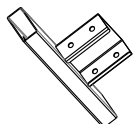
VIKING



НАУЧНОЕ
ОБОРУДОВАНИЕ
ГРУППА КОМПАНИЙ



2x АЛ-СТ.ХХ.00



2x АЛ-СТ.ХХ.04



3x АЛ-СТ.ХХ.03



2x АЛ-ХХ.00.07



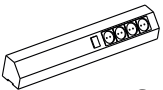
8x АЛ-СТ.ХХ.02



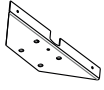
4x СТК.ХХ.04.00



1x 1/2 ЭПАХХ



6x АЛ-СТ.ХХ.01



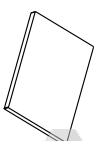
6x ПО.ХХ.00.00.03



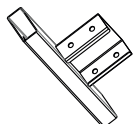
1x ПО.ХХ.00.00.03



1x АЛ-СТ.ХХ.00



2x АЛ-СТ.ХХ.00



2x АЛ-СТ.ХХ.04



3x АЛ-СТ.ХХ.03



2x АЛ-ХХ.00.07



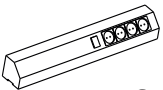
8x АЛ-СТ.ХХ.02



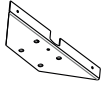
4x СТК.ХХ.04.00



1x 1/2 ЭПАХХ



6x АЛ-СТ.ХХ.01



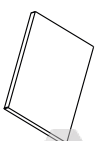
6x ПО.ХХ.00.00.03



1x ПО.ХХ.00.00.03

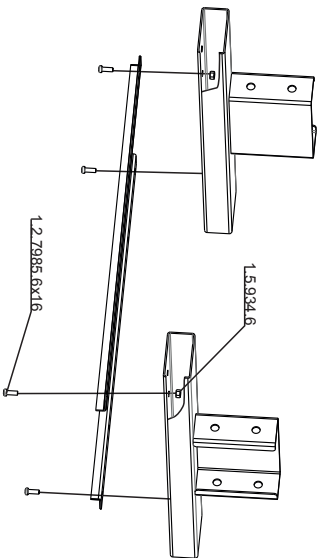


1x АЛ-СТ.ХХ.00

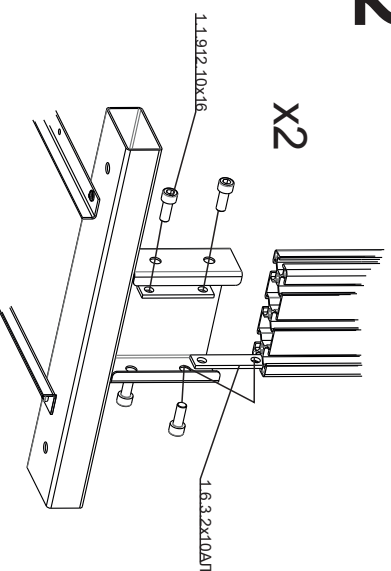


| | | | | | | | | |
|------------|----------------------|------------------------|-------------------|------------------|-------------------|---------------|------------------|---------------|
| 1x 3.1.1.1 | 4x 2.1.7.40x80 АЛ | 20x 1.6.3.2x10АЛ АЛ | 44x 1.1.912.10x16 | 6x 1.2.7985.6x50 | 12x 1.2.7985.6x16 | 18x 1.5.934.6 | 2x 2.1.19.45x135 | 8x 1.3.6.5x55 |
| | 14x 1.4.127.6 | 20x 1.3.7.4x16 | 2x 2.2.4 | 6x 1.2.7985.6x50 | 12x 1.2.7985.6x16 | 18x 1.5.934.6 | 2x 2.1.19.45x135 | 8x 1.3.6.5x55 |
| | 20x 1.3.7.4x16 | 2x 2.2.4 | 2x 2.2.8 | 6x 1.2.7985.6x50 | 12x 1.2.7985.6x16 | 18x 1.5.934.6 | 2x 2.1.19.45x135 | 8x 1.3.6.5x55 |
| | 2x 2.2.4 | 2x 2.2.3S | 2x 2.2.7S | 6x 1.2.7985.6x50 | 12x 1.2.7985.6x16 | 18x 1.5.934.6 | 2x 2.1.19.45x135 | 8x 1.3.6.5x55 |
| | 2x 2.2.4 | 2x 2.2.3S | 2x 2.2.7S | 6x 1.2.7985.6x50 | 12x 1.2.7985.6x16 | 18x 1.5.934.6 | 2x 2.1.19.45x135 | 8x 1.3.6.5x55 |
| | 2x 2.2.4 | 2x 2.2.3S | 2x 2.2.7S | 6x 1.2.7985.6x50 | 12x 1.2.7985.6x16 | 18x 1.5.934.6 | 2x 2.1.19.45x135 | 8x 1.3.6.5x55 |
| | 2x 2.2.4 | 2x 2.2.3S | 2x 2.2.7S | 6x 1.2.7985.6x50 | 12x 1.2.7985.6x16 | 18x 1.5.934.6 | 2x 2.1.19.45x135 | 8x 1.3.6.5x55 |
| | 2x 2.2.4 | 2x 2.2.3S | 2x 2.2.7S | 6x 1.2.7985.6x50 | 12x 1.2.7985.6x16 | 18x 1.5.934.6 | 2x 2.1.19.45x135 | 8x 1.3.6.5x55 |
| | 2x 2.2.4 | 2x 2.2.3S | 2x 2.2.7S | 6x 1.2.7985.6x50 | 12x 1.2.7985.6x16 | 18x 1.5.934.6 | 2x 2.1.19.45x135 | 8x 1.3.6.5x55 |
| | 2x 2.2.4 | 2x 2.2.3S | 2x 2.2.7S | 6x 1.2.7985.6x50 | 12x 1.2.7985.6x16 | 18x 1.5.934.6 | 2x 2.1.19.45x135 | 8x 1.3.6.5x55 |

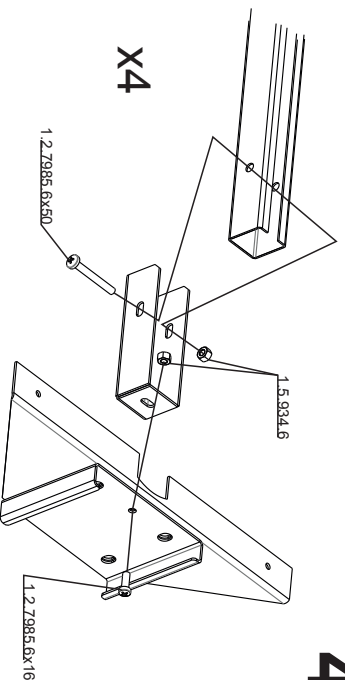
1



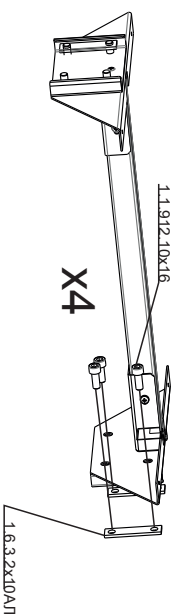
2



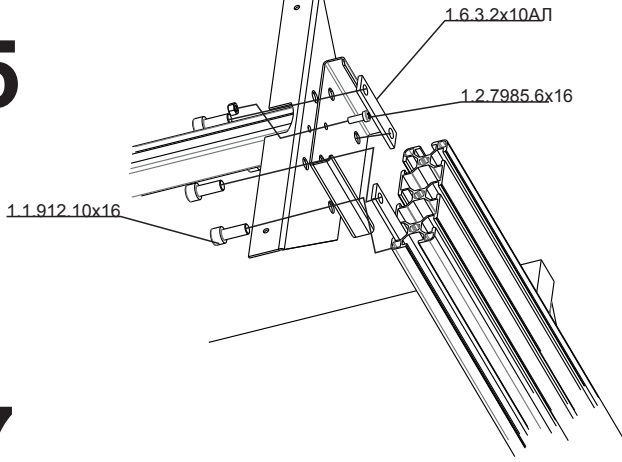
3



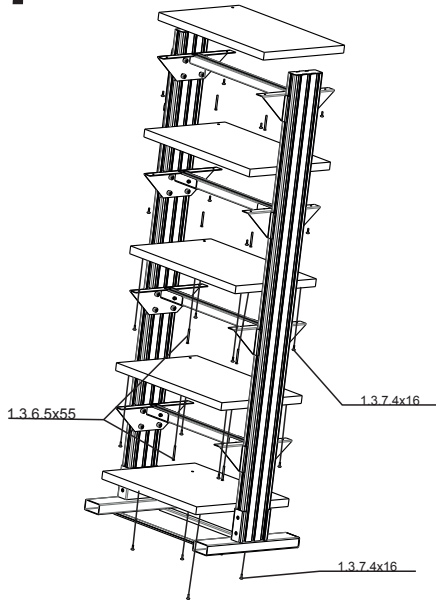
4



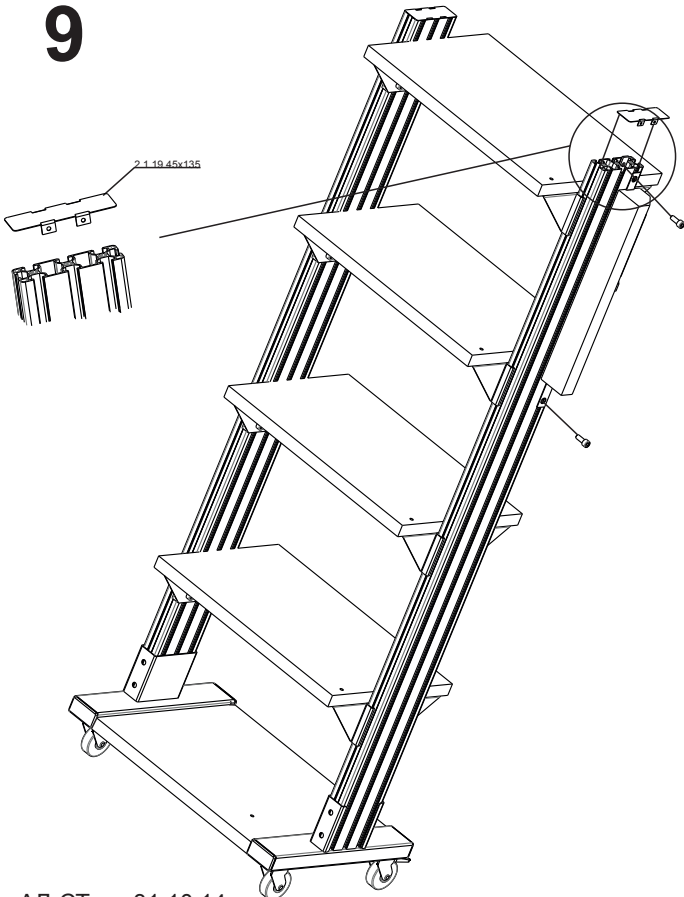
5



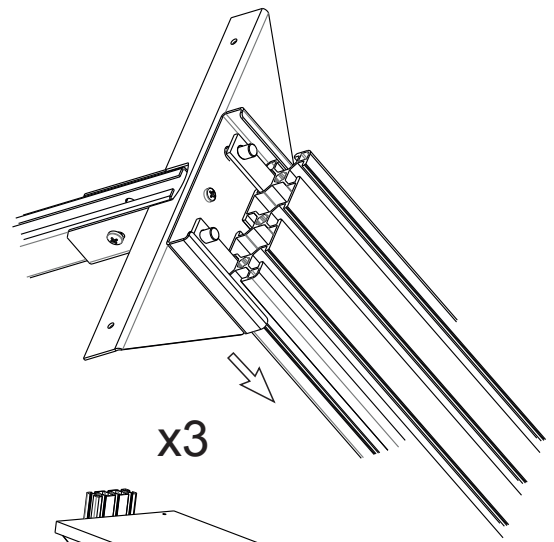
7



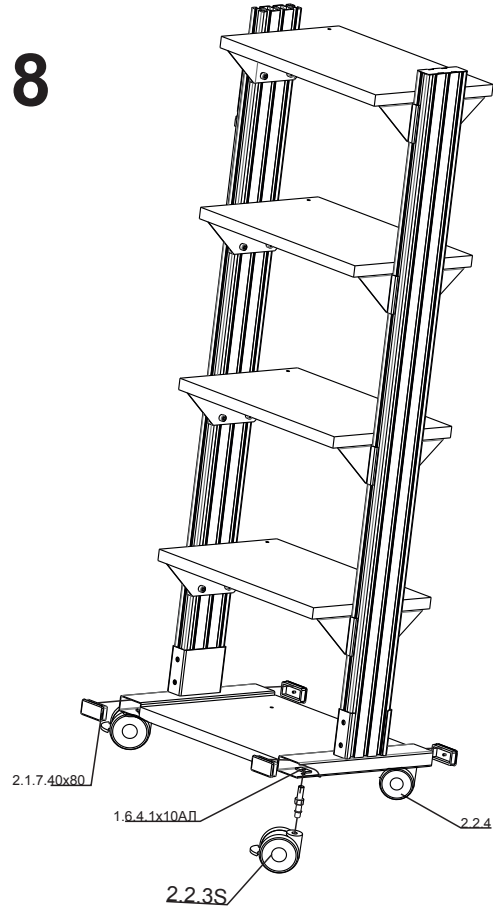
9



6



8



10

