

# Prosilica GC

## 1600H



- Compact
- High frame rate
- Rugged housing
- Video-type auto iris

## Description

Ultra-compact 2 Megapixel CCD camera - 25 fps

Prosilica GC1600H GigE Vision camera runs 25 fps at 2 Megapixel resolution and even faster with region of interest readout. GC1600H incorporates a high-quality Sony CCD sensor providing excellent image quality.

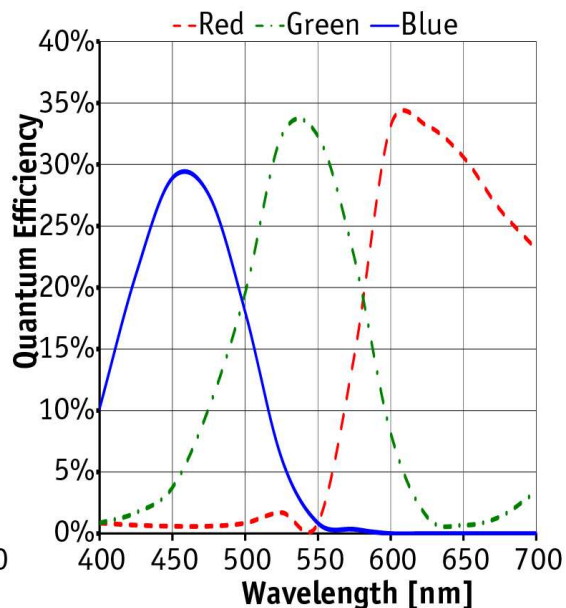
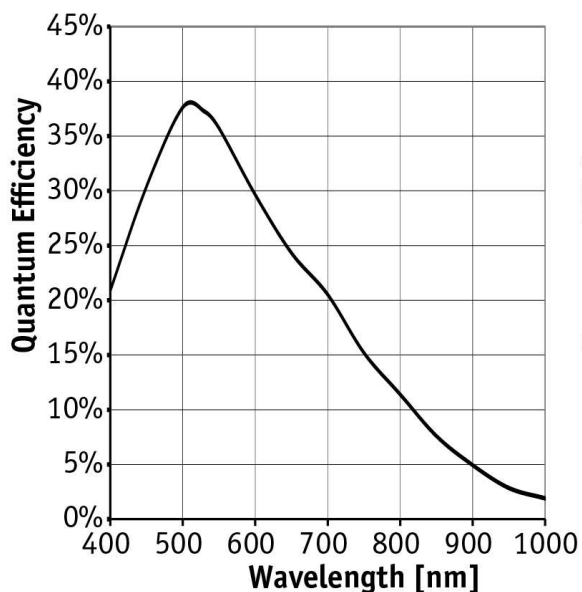
Options

- IR cut filter, CS-Mount

## Specifications

Prosilica GC	1600H
Interface	IEEE 802.3 1000baseT
Resolution	1620 × 1220
Sensor	Sony ICX274
Sensor type	CCD Progressive
Sensor size	Type 1/1.8
Cell size	4.4 μm
Lens mount	C (adjustable) / CS
Max frame rate at full resolution	25 fps
ADC	12 bit
On-board FIFO	16 Mbyte
<b>Output</b>	
Bit depth	8/12 bit
Mono modes	Mono8, Mono12, Mono12Packed
Color modes RGB	RGB8Packed, BGR8Packed

Prosilica GC	1600H
Raw modes	BayerRG8, BayerRG12, BayerGR12Packed
<b>General purpose inputs/outputs (GPIOs)</b>	
TTL I/Os	1 input, 1 output
Opto-isolated I/Os	1 input, 1 output
RS-232	1
<b>Operating conditions/dimensions</b>	
Operating temperature	0°C ... +50°C
Power requirements (DC)	5-25 VDC*
Power consumption (@12 V)	3.3 W
Mass	105 g
Body dimensions (L × W × H in mm)	59 × 46 × 33 including connectors, w/o tripod and lens
Regulations	CE, FCC Class A, RoHS (2011/65/EU)



## Features

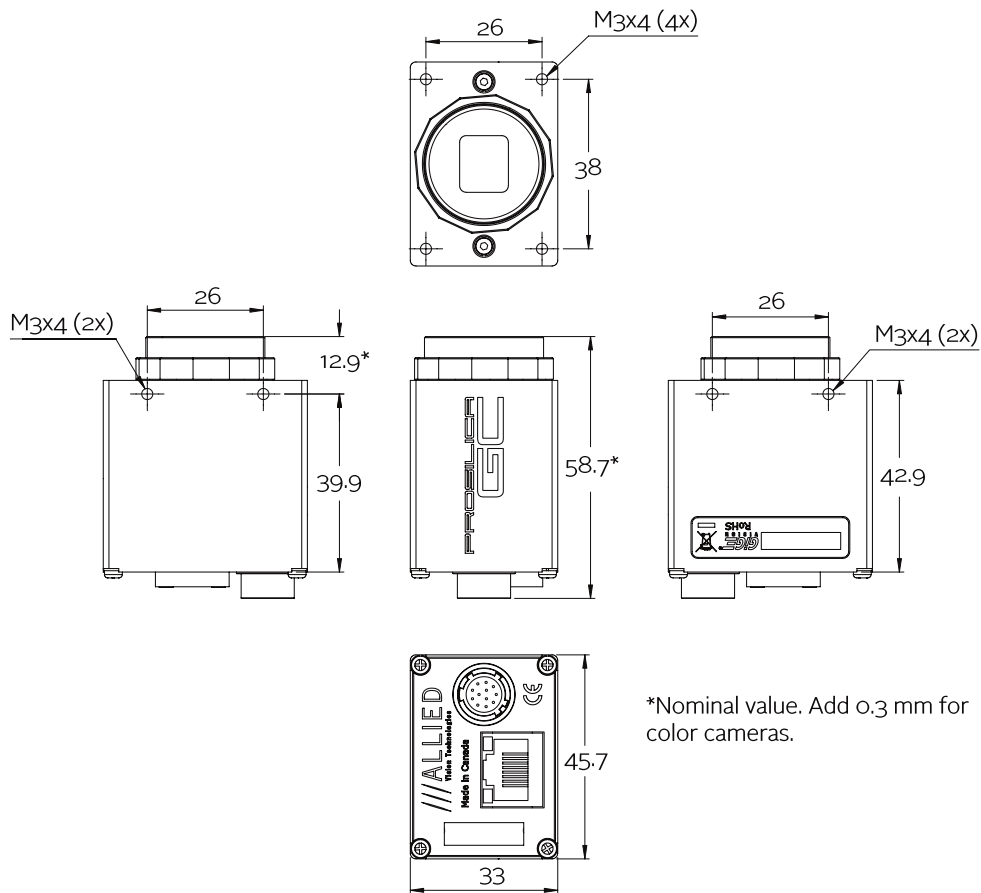
Prosilica GC1600H features include:

- Video-type auto iris
- ROI, DSP subregion (selectable ROI for auto features)
- Binning
- Auto gain (manual gain control: 0 to 32 dB)
- Auto exposure (manual exposure controls: 10 μs to 68.7 s)



- Auto white balance
- StreamBytesPerSecond (easy bandwidth control)
- Stream hold
- Sync out modes: Trigger ready, input, exposing, readout, imaging, strobe, GPO
- Global shutter (digital shutter)
- Recorder and Multiframe acquisition modes
- Event channel
- Chunk data
- Storable user sets

## Technical drawing





## Applications

Prosilica GC1600H is ideal for a wide range of applications including:

- Industrial inspection
- Machine vision
- Ophthalmology
- LCD panel inspection
- Aeronautical and aerospace
- Biometrics
- Public security
- Surveillance
- Traffic imaging
- OEM applications