

Prosilica GC

2450



- Compact
- 15 fps @ 5 Megapixel
- Rugged housing
- Video-type auto iris

Description

Ultra-compact high resolution CCD camera

Prosilica GC2450 is a very high-resolution CCD camera with Gigabit Ethernet output (GigE Vision). GC2450 has a frame rate of 15 fps at 2448 x 2050 resolution. The sensor used in GC2450 is the high-quality Sony ICX625 CCD image sensor that provides superior image quality, excellent sensitivity, and low noise.

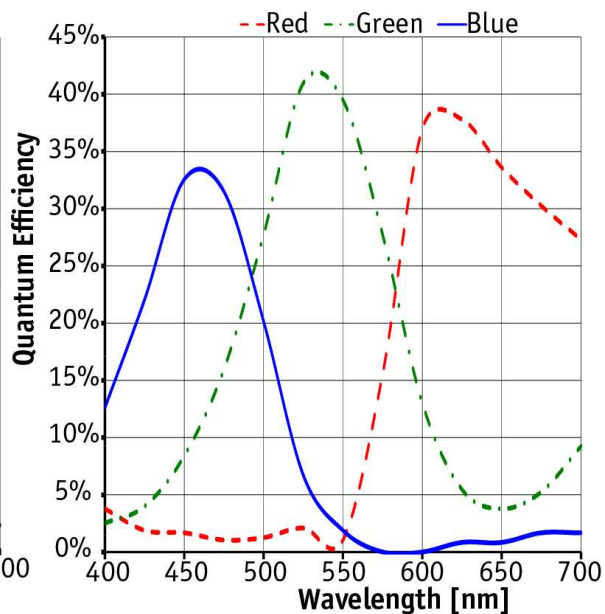
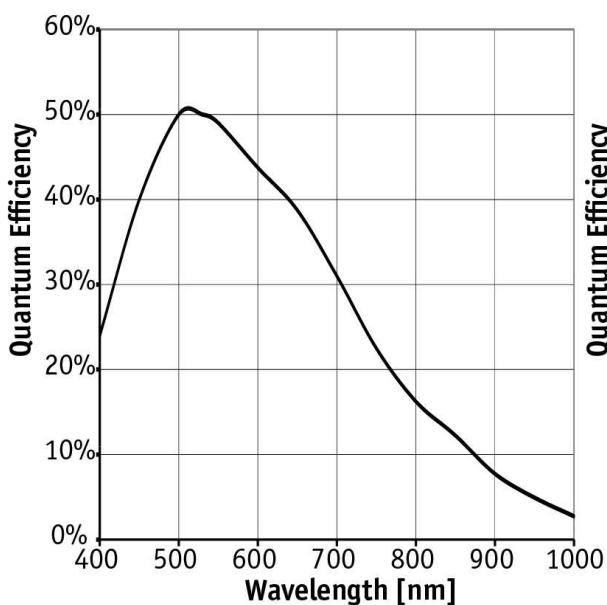
Options

- IR cut filter, CS-Mount

Specifications

Prosilica GC	2450
Interface	IEEE 802.3 1000baseT
Resolution	2448 × 2050
Sensor	Sony ICX625
Sensor type	CCD Progressive
Sensor size	Type 2/3
Cell size	3.45 μm
Lens mount	C (adjustable)
Max frame rate at full resolution	15 fps
ADC	12 bit
On-board FIFO	16 Mbyte
Output	
Bit depth	8/12 bit
Mono modes	Mono8, Mono12, Mono12Packed
Color modes RGB	RGB8Packed, BGR8Packed

Prosilica GC	2450
Raw modes	BayerRG8, BayerRG12, BayerGR12Packed
General purpose inputs/outputs (GPIOs)	
TTL I/Os	1 input, 1 output
Opto-isolated I/Os	1 input, 1 output
RS-232	1
Operating conditions/dimensions	
Operating temperature	0°C ... +40°C
Power requirements (DC)	5-25 VDC*
Power consumption (@12 V)	3.8 W
Mass	106 g
Body dimensions (L × W × H in mm)	59 × 46 × 33 including connectors, w/o tripod and lens
Regulations	CE, FCC Class A, RoHS (2011/65/EU)



Features

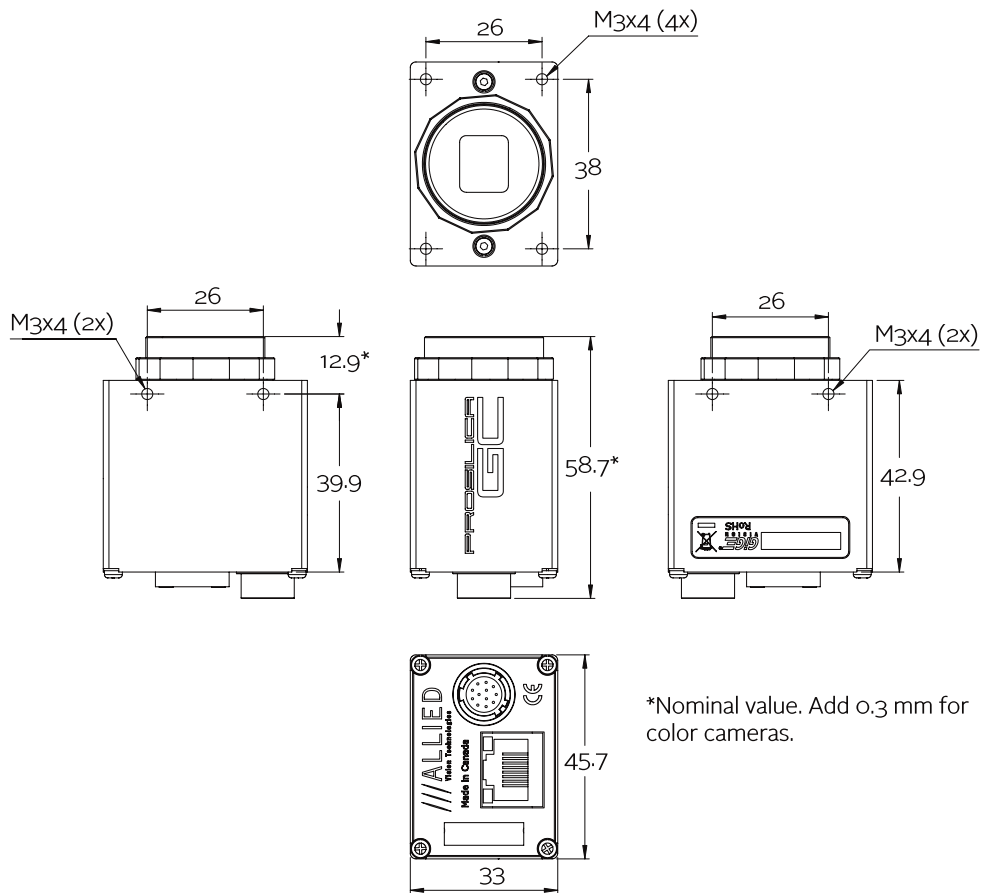
Prosilica GC2450 features include:

- Video-type auto iris
- ROI, DSP subregion (selectable ROI for auto features)
- Binning
- Auto gain (manual gain control: 0 to 32 dB)
- Auto exposure (manual exposure controls: 10 μ s to 42.9 s)



- Auto white balance
- StreamBytesPerSecond (easy bandwidth control)
- Stream hold
- Sync out modes: Trigger ready, input, exposing, readout, imaging, strobe, GPO
- Global shutter (digital shutter)
- Recorder and Multiframe acquisition modes
- Event channel
- Chunk data
- Storable user sets

Technical drawing





Applications

Prosilica GC2450 is ideal for a wide range of applications including:

- High-resolution industrial inspection
- LCD panel inspection
- Machine vision
- 3-D metrology
- Public security
- Surveillance
- Traffic imaging (Intelligent Traffic Systems)
- Embedded systems
- OEM applications