

# Manta

## G-917



- Versatile 9 Megapixel camera
- 10 fps @ 9.2 Megapixel
- PoE optional
- Video-iris lens control

## Description

### GigE camera with Sony ICX814

Manta G-917B/C includes an 1" Sony ICX814 sensor with ExView HAD II technology and 9 Megapixels resolution. This new sensor is distinguished by excellent image quality and a high resolution.

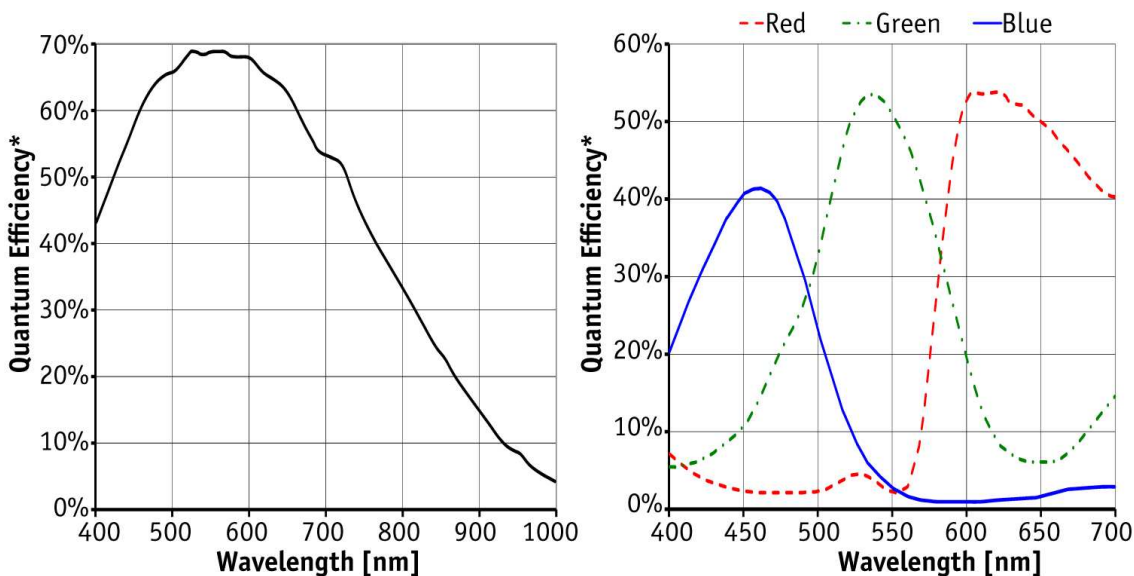
#### Options

- PoE (Power over Ethernet)
- Various IR cut/pass filters and lens mounts
- White medical housing

## Specifications

Manta	G-917
Interface	IEEE 802.3 1000BASE-T, IEEE 802.3af (PoE) optional
Resolution	3384 × 2710
Sensor	Sony ICX814
Sensor type	CCD Progressive
Sensor size	Type 1
Cell size	3.69 μm
Lens mount	C-Mount
Max frame rate at full resolution	10 fps
ADC	14 bit
On-board FIFO	128 Mbyte
<b>Output</b>	
Bit depth	8/14 (mono) - 8/12 (color) bit
Mono modes	Mono8, Mono12Packed, Mono12

Manta	G-917
Color modes YUV	YUV411Packed, YUV422Packed, YUV444Packed
Color modes RGB	RGB8Packed, BGR8Packed
Raw modes	BayerRG8, BayerRG12, BayerRG12Packed
<b>General purpose inputs/outputs (GPIOs)</b>	
Opto-isolated I/Os	2 inputs, 2 outputs
RS-232	1
<b>Operating conditions/dimensions</b>	
Operating temperature	+5 °C ... +45 °C
Power requirements (DC)	PoE, or 8-30 VDC
Power consumption (@12 V)	4.7 W (PoE) / 4.0 W (non-PoE)
Mass	200 g (PoE) / 190 g (non-PoE)
Body dimensions (L × W × H in mm)	86.4 × 44 × 29 mm incl. connectors
Regulations	CE, FCC Class B, RoHS



\*QE measured without protection glass or filters. With glass or filters, quantum efficiency decreases by approximately 10%.

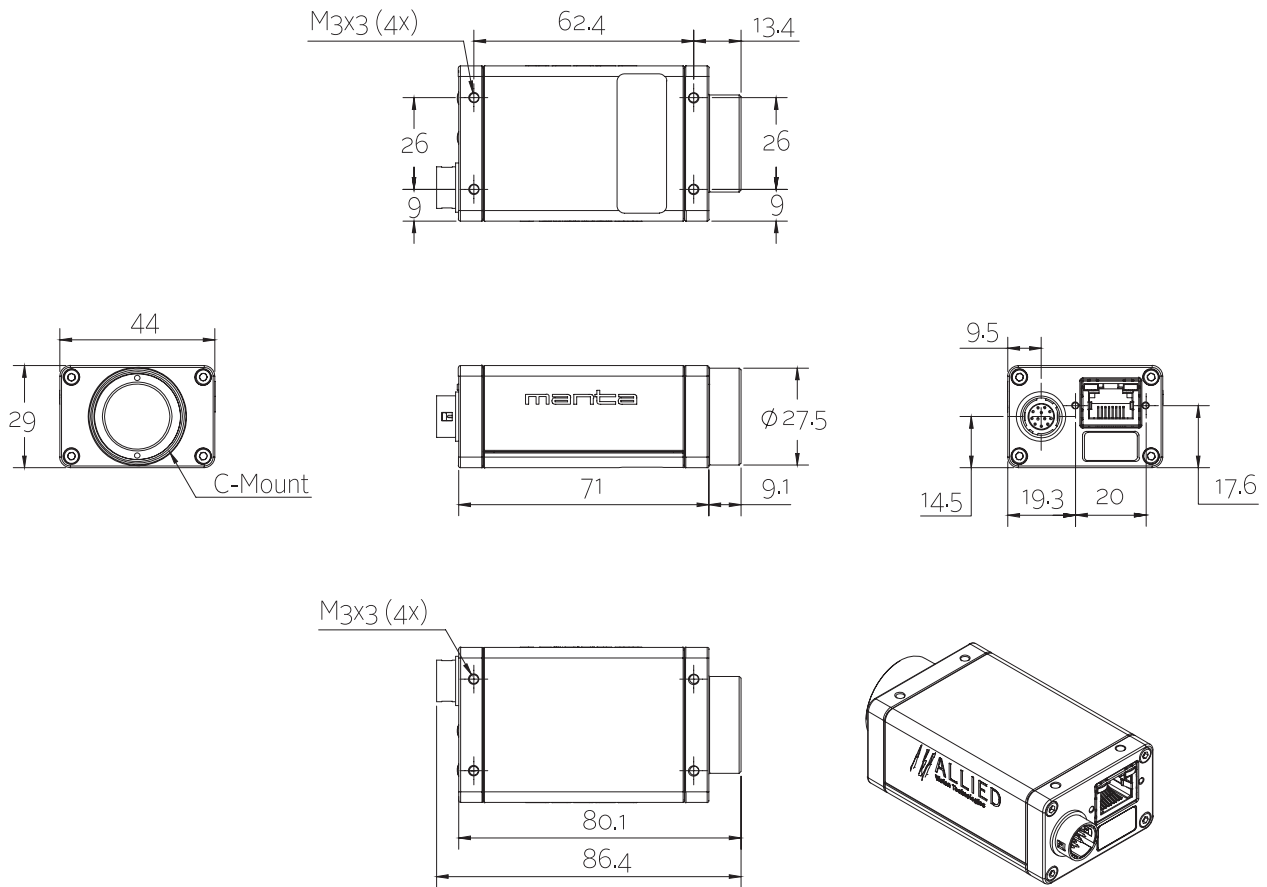
## Features

- Video-type auto iris
- ROI, separate ROI for auto features
- Binning
- Decimation
- Auto gain (manual gain control: 0 to 32 dB)
- Auto exposure (42  $\mu$ s to 38 s)
- Auto white balance



- LUTs (look-up tables)
- Gamma
- Hue, saturation, color correction
- StreamBytesPerSecond (easy bandwidth control)
- Stream hold
- Sync out modes: Trigger ready, input, exposing, readout, imaging, strobe, GPO
- Event channel
- Chunk data
- Storable user sets

## Technical drawing





## Applications

Manta G-917B/C is a 9 Megapixel GigE camera with excellent image quality and several modular options. It is suitable for a wide range of applications.

Typical applications:

- Machine vision
- High-resolution surveillance
- High-resolution quality control
- Large area scan
- Aerial imaging
- ITS (Intelligent traffic solutions)
- ... and many more