



Guppy

F-146



- 1394a camera
- Lightweight
- Robust design
- Machine vision camera

Description

Very compact 1394a camera - attractive price - 1.4 Megapixel, Sony ICX267

The Guppy F-146B/C is a very compact, economically priced camera with a sensitive Sony CCD sensor (Sony ICX267). At full resolution, it runs at up to 17.7 fps. Higher frame rates can be reached by a smaller AOI.

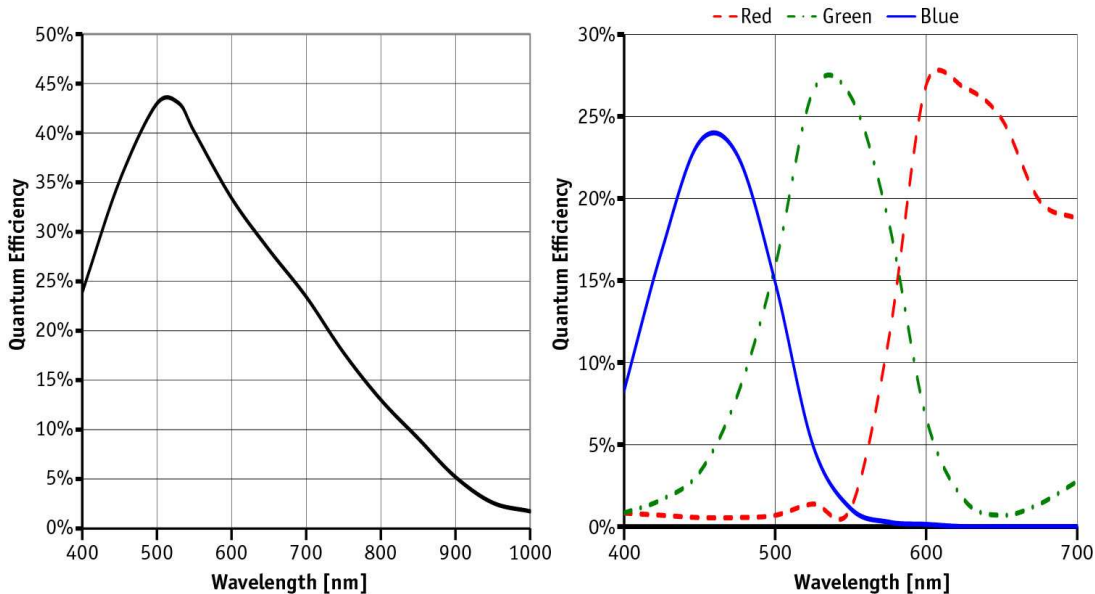
Options

- Various IR cut/pass filters
- White medical housing

Specifications

Guppy	F-146
Interface	IEEE 1394a - 400 Mb/s, 1 port
Resolution	1392 × 1040
Sensor	Sony ICX267
Sensor type	CCD Progressive
Sensor size	Type 1/2
Cell size	4.65 μm
Lens mount	C
Max frame rate at full resolution	17 fps
ADC	12 bit
On-board FIFO	0 Mbyte
Output	
Bit depth	8/12 bit
Mono modes	Mono8, Mono12, Mono16

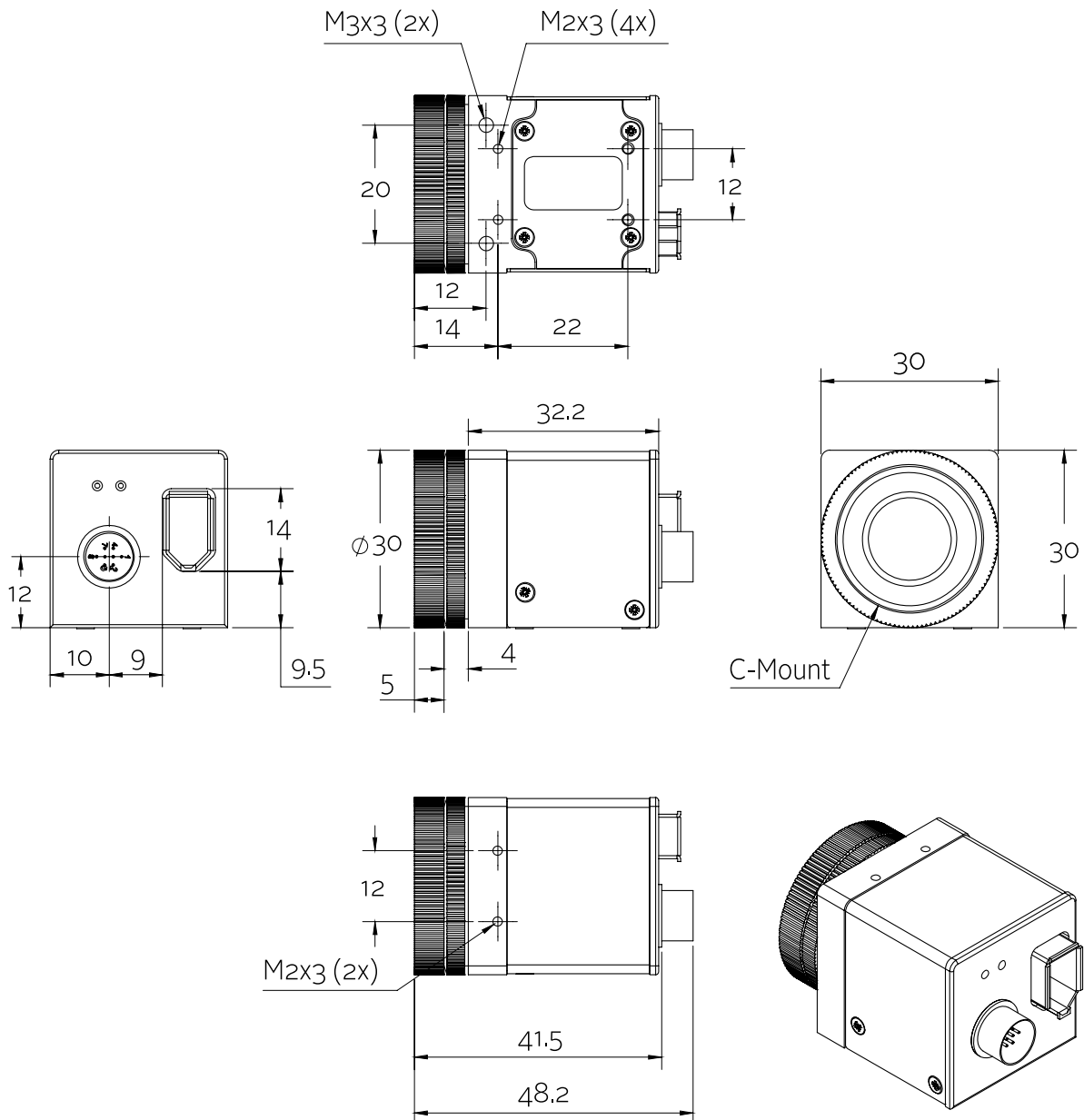
Guppy	F-146
Color modes RGB	n/a
Raw modes	Raw8, Raw12, Raw16
General purpose inputs/outputs (GPIOs)	
TTL I/Os	1 input, 3 outputs
RS-232	1
Operating conditions/dimensions	
Power requirements (DC)	8 V - 36 V
Power consumption (@12 V)	<2 W
Mass	50 g
Body dimensions (L × W × H in mm)	48.2 × 30 × 30 mm incl. connectors
Regulations	CE, FCC Class B, RoHS



Features

- LUT (look-up table)
- ROI, separate ROI for auto features
- Auto gain (0 to 24 dB)
- Auto exposure (40 μ s to 67 s)
- Auto white balance
- Storable user sets

Technical drawing



Applications

The Guppy F-146B/C has a very economical price, is ultra-compact and fits a large variety of applications:



- Machine vision
- Quality control
- Robotics
- Industrial inspection
- Security and surveillance
- ... and many more