

# Mako G

## G-131



- Ultra-compact (60.5 × 29 × 29 mm)
- Latest e2v Sapphire CMOS sensor
- Switchable shutter modes
- 62 fps @ 1.3 Megapixel

## Description

GigE Vision camera with e2v Sapphire sensor

Mako G-131B/C is an industrial GigE camera with the e2v Sapphire EV76C560 sensor. Mako G cameras have the same compact form factor and the same mounting positions as many analog cameras. All models include PoE, three opto-isolated outputs, and a 64 MB FIFO image buffer. The image quality profits from the precisely aligned sensors.

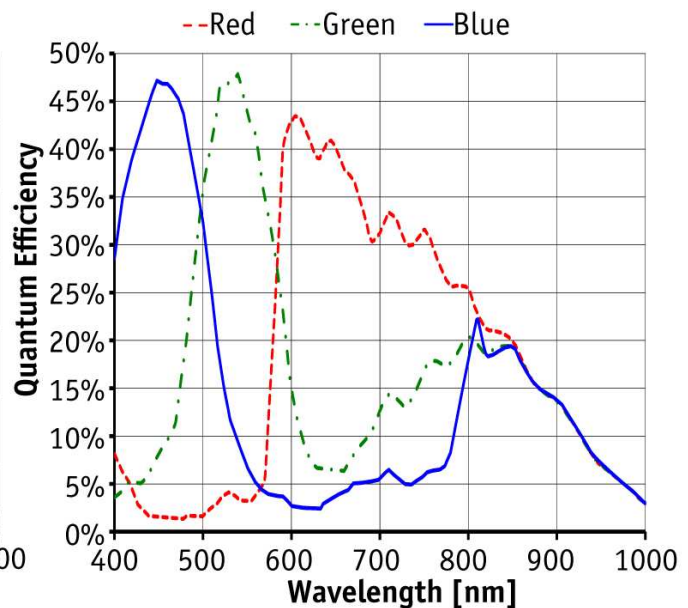
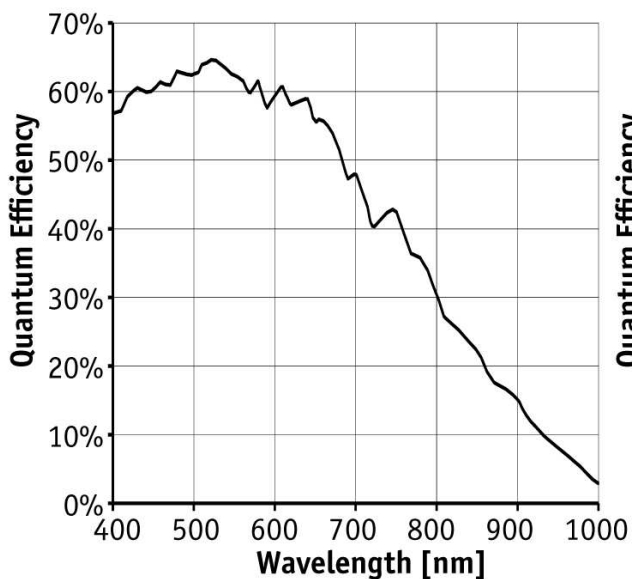
Options

- Various IR cut/pass filters, protection glass, various lens mounts
- White medical housing

## Specifications

| Mako G                            | G-131                                     |
|-----------------------------------|---|
| Interface                         | IEEE 802.3 1000BASE-T, IEEE 802.3af (PoE) |
| Resolution                        | 1280 × 1024                               |
| Sensor                            | e2v EV76C560                              |
| Sensor type                       | CMOS Progressive                          |
| Sensor size                       | Type 1/1.8                                |
| Cell size                         | 5.3 μm                                    |
| Lens mount                        | C/CS-Mount                                |
| Max frame rate at full resolution | 62 fps                                    |
| ADC                               | 10 bit                                    |
| On-board FIFO                     | 64 Mbyte                                  |
|                                   | <b>Output</b>                             |
| Bit depth                         | 8/10 bit                                  |

| Mako G  | G-131                                    |
|---|--|
| Mono modes                                    | Mono8, Mono10                            |
| Color modes YUV                               | YUV411Packed, YUV422Packed, YUV444Packed |
| Color modes RGB                               | RGB8Packed, BGR8Packed                   |
| Raw modes                                     | BayerGB8, BayerGB10                      |
| <b>General purpose inputs/outputs (GPIOs)</b> |  |
| Opto-isolated I/Os                            | 1 input, 3 outputs                       |
| <b>Operating conditions/dimensions</b>        |  |
| Operating temperature                         | +5°C to +45°C (housing temperature)      |
| Power requirements (DC)                       | PoE /12 V - 24 V                         |
| Power consumption (@12 V)                     | 2.2 W (PoE) / 2.0 W (non-PoE)            |
| Mass  | 80 g                                     |
| Body dimensions (L × W × H in mm)             | 60.5 × 29 × 29 mm, incl. connectors      |
| Regulations                                   | CE, FCC Class B, RoHS                    |



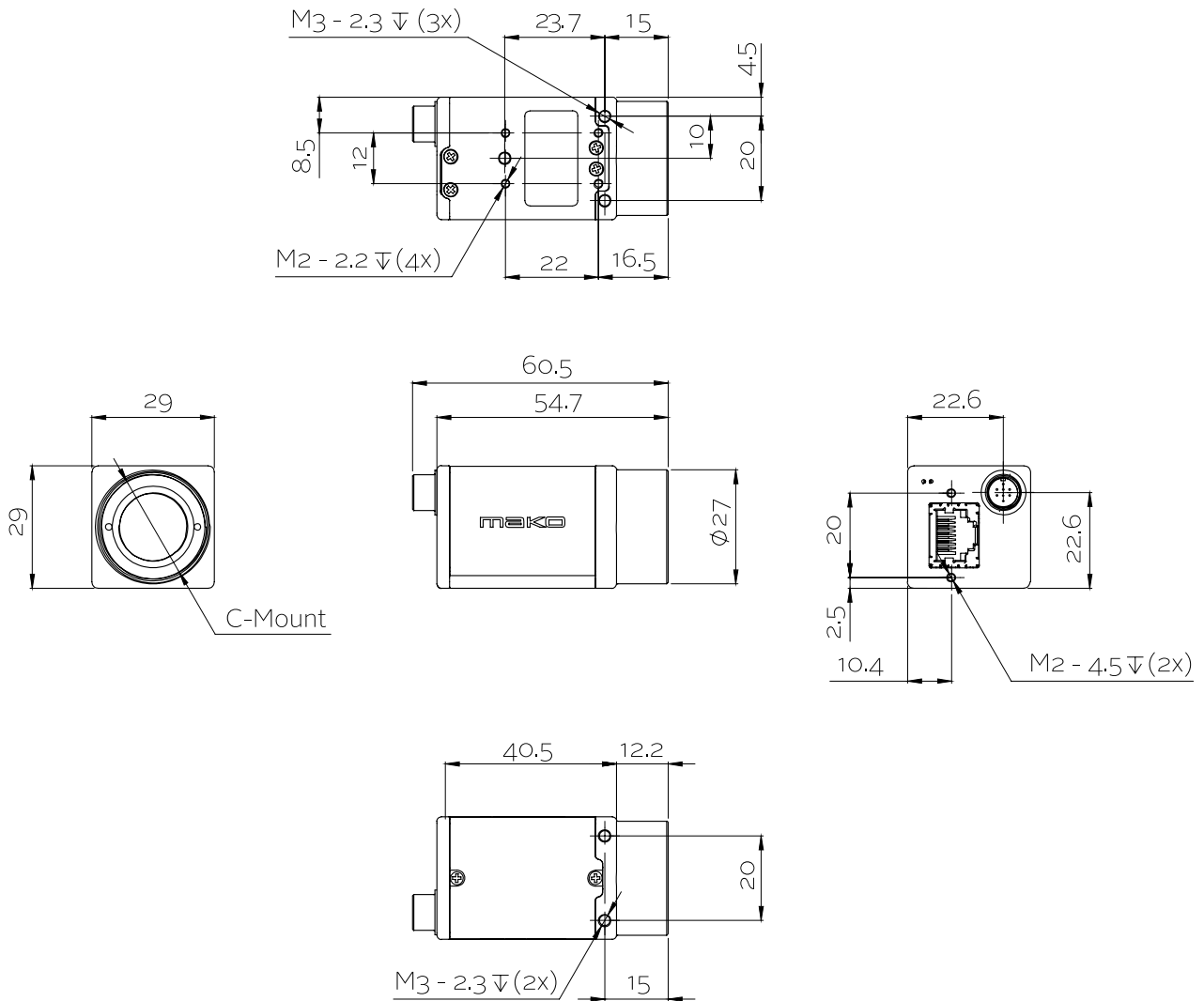
## Features

- Switchable Rolling / Global / GlobalReset shutter modes
- Camera temperature monitoring
- Pixel defect masking
- ROI, separate ROI for auto features
- Binning
- Decimation
- Auto gain (manual gain control: 0 to 24 dB)



- Auto exposure
- Auto white balance
- LUTs (look-up tables)
- Gamma
- Hue, saturation, color correction
- ReverseX/Y
- StreamBytesPerSecond (easy bandwidth control)
- Stream hold
- Sync out modes: Trigger ready, input, exposing, readout, imaging, strobe, GPO
- Event channel
- Chunk data
- Storable user sets

## Technical drawing





## Applications

Mako G is an inexpensive industrial GigE camera with a compact form factor. It is suitable for all typical machine vision applications:

- Robotics
- Quality control
- Inspection, surveillance
- Industrial imaging
- Machine vision
- Logistics