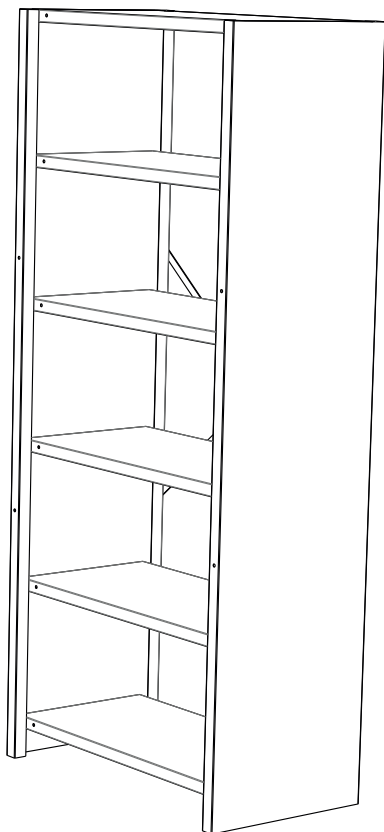


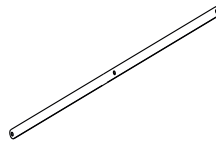


VIKING



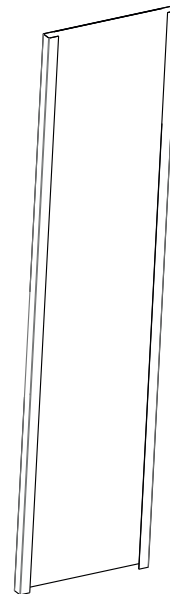
2x

СТУ-XX.02.00



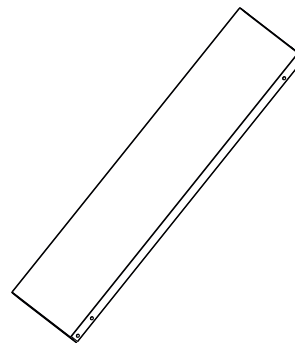
2x

СТУ-XX.00.01

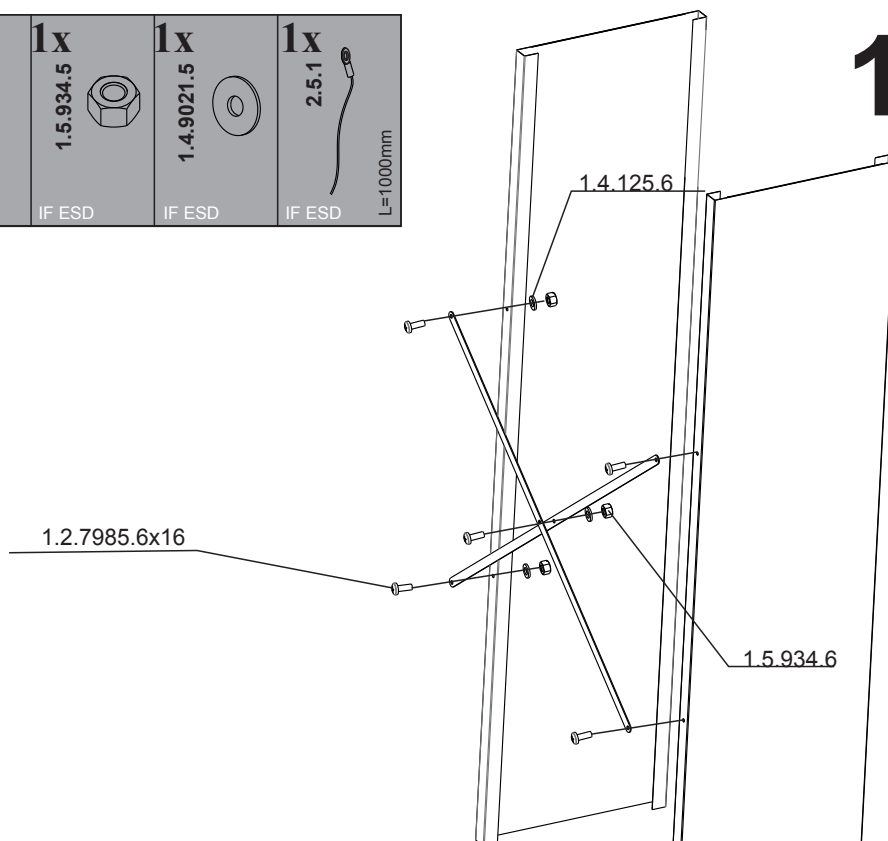


6x

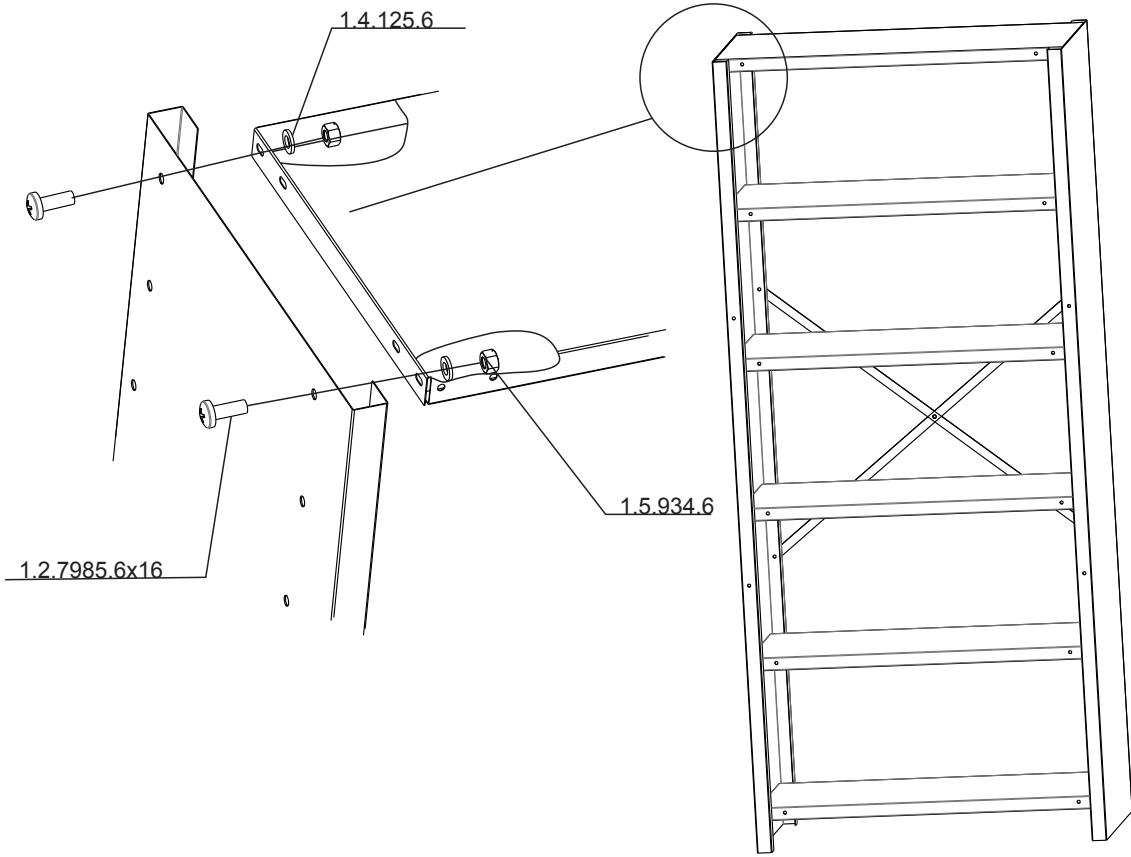
ПЛ-XX.00.00



29x 1.2.7985.6x16 	29x 1.5.934.6 	29x 1.4.125.6 	1x 1.2.7985.5x16 IF ESD 	1x 1.5.934.5 IF ESD 	1x 1.4.9021.5 IF ESD 	1x 2.5.1 IF ESD 	L=1000mm
---------------------------------	-----------------------------	-----------------------------	--	--------------------------------------	---------------------------------------	----------------------------------	----------



2 x6



3

