

Prosilica GT

1930L



- Versatile temperature range for extreme environments
- Latest Sony CMOS sensor
- PTP and PoE
- EF lens control

Description

2.4 Megapixel CMOS camera for extreme environments - GigE Vision®

Prosilica GT1930L is a 2.4 Megapixel camera with a Gigabit Ethernet interface (GigE Vision®). GT1930L incorporates latest Sony IMX174 CMOS global shutter sensor providing excellent monochrome and color image quality. GT1930L is a rugged camera designed to operate in extreme environments. GT1930L is available with planarity adjustable EF-Mount.

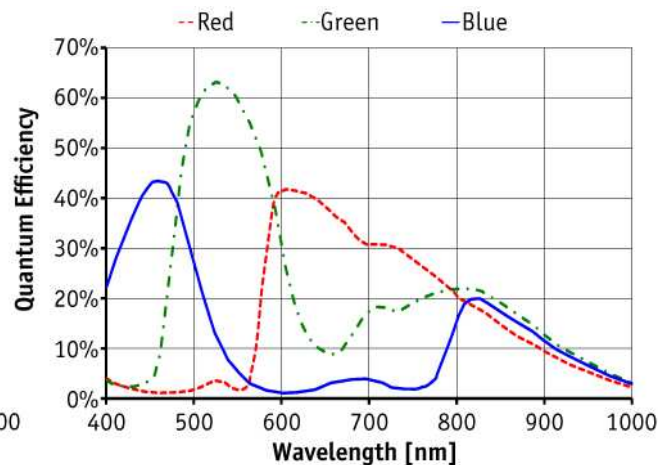
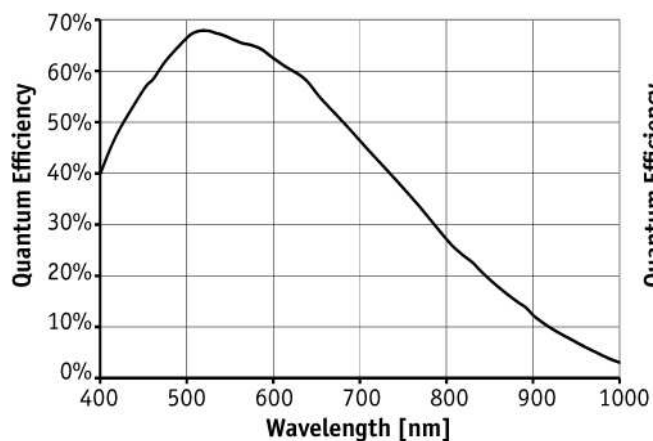
Options:

- Various IR cut/pass filters and lens mounts

Specifications

| Prosilica GT | 1930L |
|-----------------------------------|---|
| Interface | IEEE 802.3 1000BASE-T, IEEE 802.3af (PoE) |
| Resolution | 1936 × 1216 |
| Sensor | Sony IMX174 |
| Sensor type | CMOS Progressive |
| Cell size | 5.86 μm |
| Lens mount | EF-Mount |
| Max frame rate at full resolution | 50.7 fps |
| ADC | 12 bit |
| On-board FIFO | 128 Mbyte |
| Output | |
| Bit depth | 12 bit |
| Mono modes | Mono8, Mono12Packed, Mono12 |
| Color modes YUV | YUV411Packed, YUV422Packed, YUV444Packed |
| Color modes RGB | RGB8Packed, BGR8Packed |
| Raw modes | BayerRG8, BayerRG12 |

| Prosilica GT | 1930L |
|---|--|
| General purpose inputs/outputs (GPIOs) | |
| TTL I/Os | 1 input, 2 outputs |
| Opto-isolated I/Os | 1 input, 2 outputs |
| RS-232 | 1 |
| Operating conditions/dimensions | |
| Operating temperature | -30°C ... +70°C Housing temperature |
| Power requirements (DC) | PoE, or 7–25 VDC |
| Power consumption (@12 V) | 3.88 W (PoE) / 3.24 W @12 VDC |
| Mass | 372 g |
| Body dimensions (L × W × H in mm) | 96 × 66 × 53.3 (including connectors, w/o tripod and lens) |
| Regulations | CE, FCC Class A, RoHS (2011/65/EU) |



Features

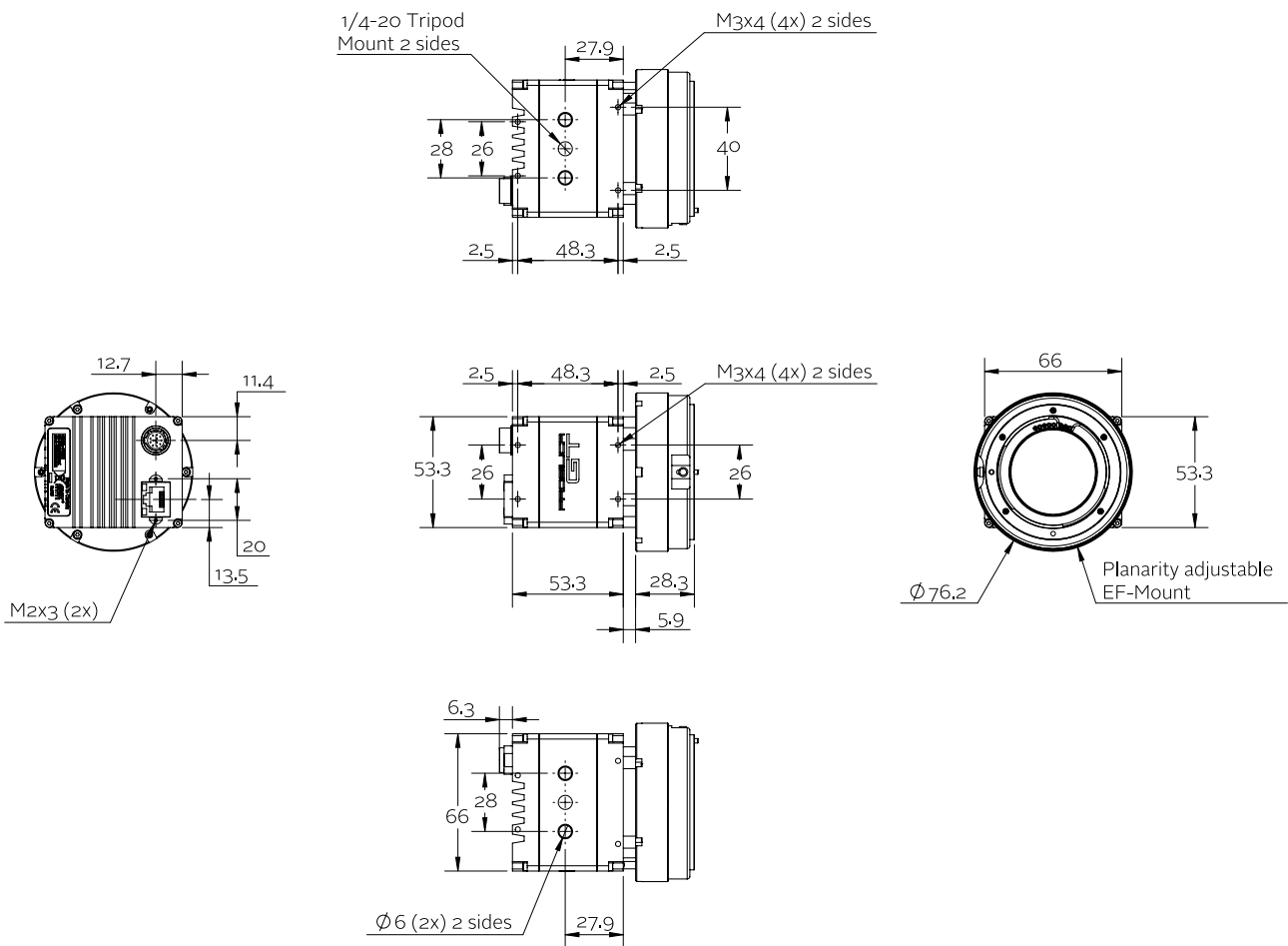
Prosilica GT1930L features include:

- Precision Time Protocol (IEEE 1588)
- Camera temperature monitoring
- EF lens control
- ROI, separate ROI for auto features
- Binning
- Decimation



- ReverseX/Y
- Auto gain (manual gain control: 0 to 40 dB)
- Auto exposure
- Auto white balance
- LUTs (look-up tables)
- Gamma
- Hue, saturation, color correction
- StreamBytesPerSecond (easy bandwidth control)
- Stream hold
- Sync out modes: Trigger ready, input, exposing, readout, imaging, strobe, GPO
- Event channel
- Chunk data
- Storable user sets

Technical drawing



Applications

Prosilica GT1930L is ideal for a wide range of applications including:



- Outdoor imaging
- Traffic imaging / ITS
- Public security and surveillance
- Industrial inspection
- Machine vision
- Military and space applications