



Guppy F-080



- 1394a camera
- Lightweight
- Robust design
- Machine vision camera

Description

FireWire camera - very compact - attractive price - Sony ICX204

The Guppy F-080B/C FireWire camera is very compact, economically priced and includes the sensitive Sony ICX204 CCD sensor. At full resolution, this FireWire camera runs at up to 30 fps. Higher frame rates can be reached by a smaller AOI.

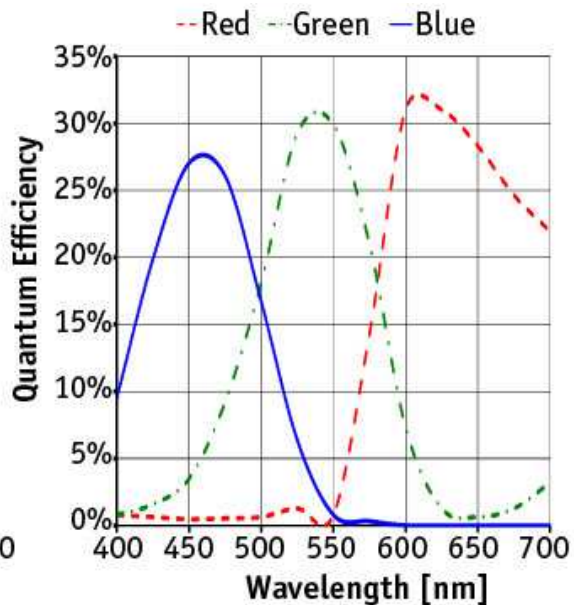
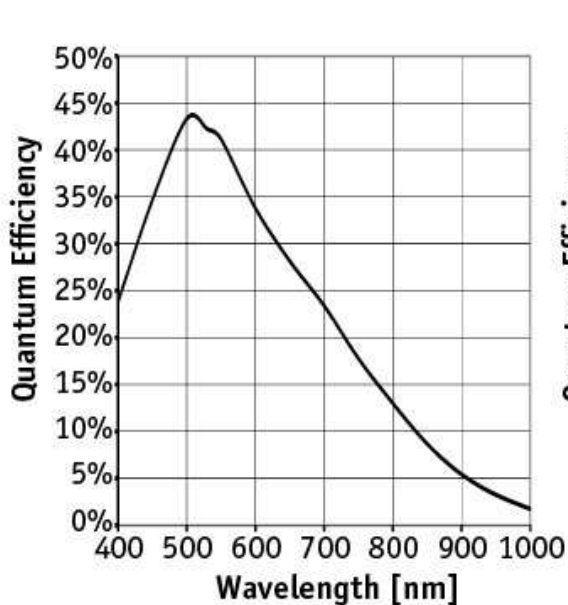
Options

- Various IR cut/pass filters
- White medical housing

Specifications

Guppy	F-080
Interface	IEEE 1394a - 400 Mb/s, 1 port
Resolution	1032 × 778
Sensor	Sony ICX204
Sensor type	CCD Progressive
Sensor size	Type 1/3
Cell size	4.65 μm
Lens mount	C
Max frame rate at full resolution	30 fps
ADC	12 bit
On-board FIFO	0 Mbyte
Output	
Bit depth	8 bit
Mono modes	Mono8

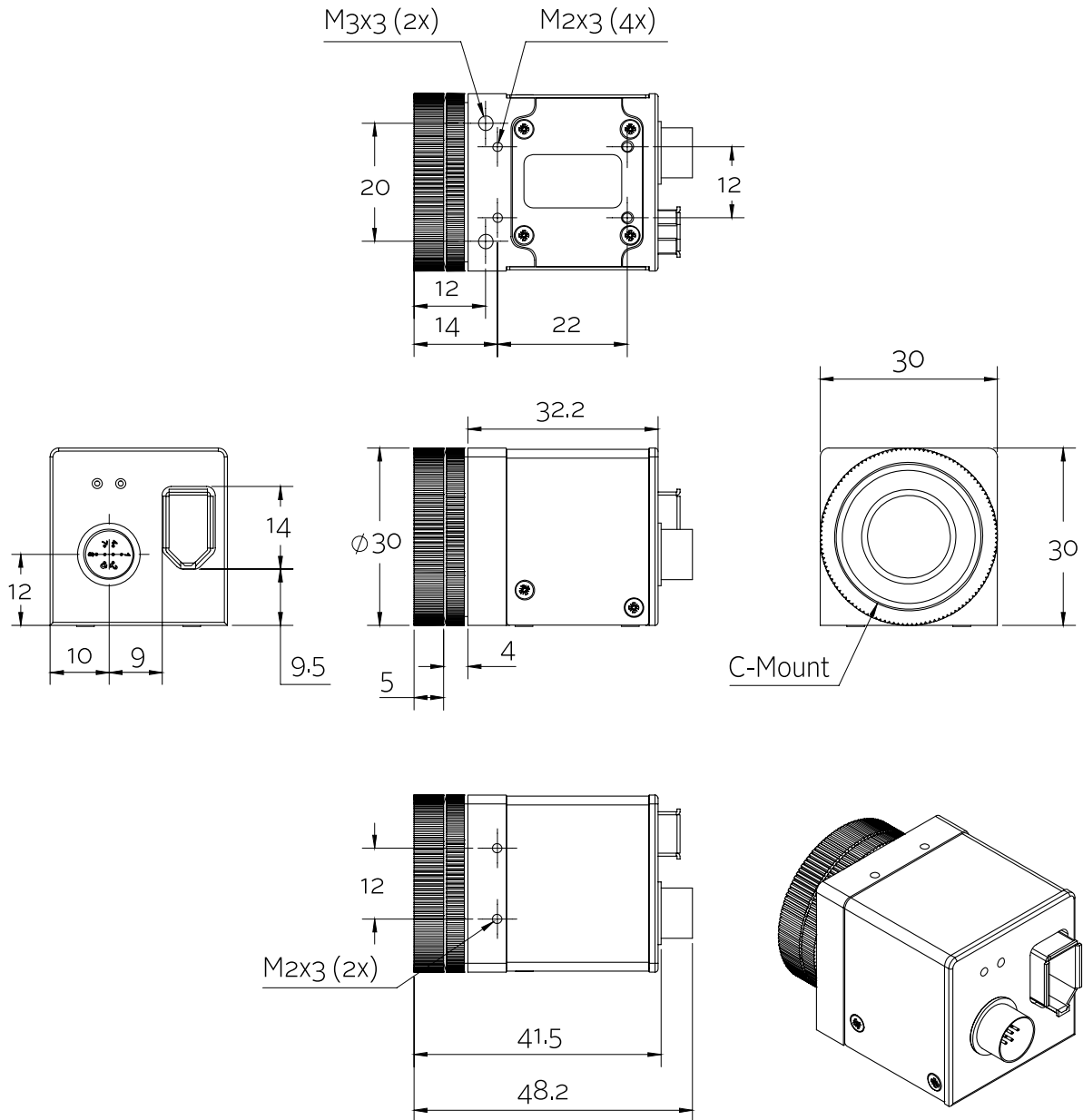
Guppy	F-080
Color modes RGB	n/a
Raw modes	Raw8
General purpose inputs/outputs (GPIOs)	
TTL I/Os	1 input, 3 outputs
RS-232	1
Operating conditions/dimensions	
Power requirements (DC)	8 V - 36 V
Power consumption (@12 V)	<2 W
Mass	50 g
Body dimensions (L × W × H in mm)	48.2 × 30 × 30 mm incl. connectors
Regulations	CE, FCC Class B, RoHS



Features

- LUT (look-up table)
- ROI, separate ROI for auto features
- Auto gain (0 to 24 dB)
- Auto exposure (54 μ s to 67 s)
- Auto white balance
- Storable user sets

Technical drawing





Applications

The Guppy F-080B/C is a compact mainstream FireWire camera with a very good pricing - it fits for many applications:

- Machine vision
- Quality control
- Robotics
- Industrial inspection
- Security
- ITS/Traffic monitoring
- ... and many more