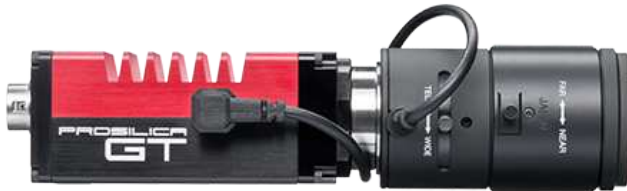


Prosilica GT

2000 NIR



- Versatile temperature range for extreme environments
- CMOSIS CMOS sensor
- PTP and PoE
- P-Iris and DC-Iris lens control

Description

2 Megapixel CMOS NIR enhanced camera for extreme environments - GigE Vision®

Prosilica GT2000 NIR is a 2 Megapixel camera equipped with a NIR optimized variant of the CMOSIS CMV2000 sensor. At 900 nm this sensor offers double the quantum efficiency, an increase from 8% to 16% absolute. GT2000 NIR is a rugged camera designed to operate in extreme environments and fluctuating lighting conditions. GT2000 NIR offers Precise iris lens control allowing users to fix the aperture size to optimize depth of field, exposure and gain without the need for additional control elements.

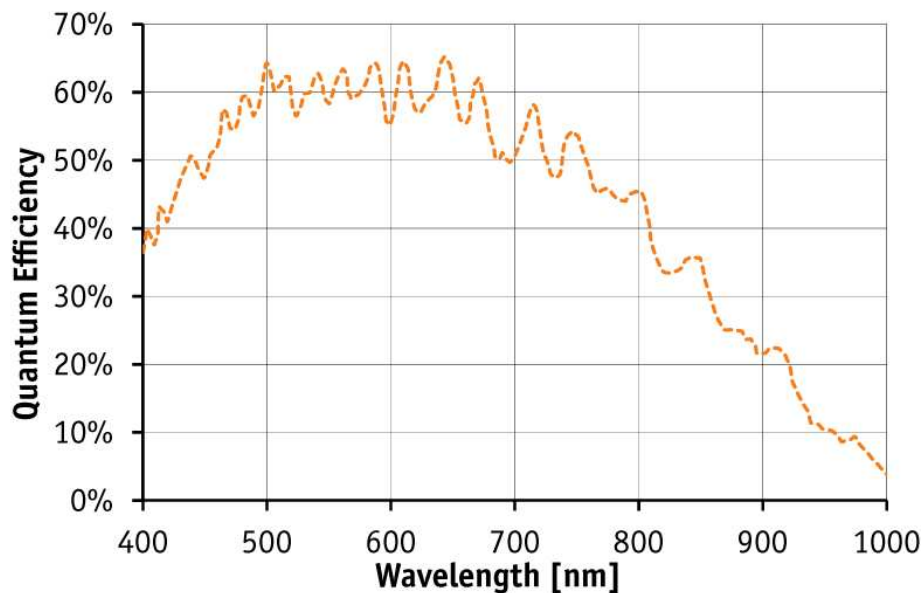
Options:

- Various lens mounts

Specifications

Prosilica GT	2000 NIR
Interface	IEEE 802.3 1000BASE-T, IEEE 802.3af (PoE)
Resolution	2048 × 1088
Sensor	CMOSIS CMV2000 NIR
Sensor type	CMOS Progressive
Cell size	5.5 μm
Lens mount	C-Mount
Max frame rate at full resolution	53.7 fps
ADC	12 bit
On-board FIFO	128 Mbyte
Output	
Bit depth	8/12 bit
Mono modes	Mono8, Mono12, Mono12Packed
General purpose inputs/outputs (GPIOs)	
TTL I/Os	1 input, 2 outputs

Prosilica GT	2000 NIR
Opto-isolated I/Os	1 input, 2 outputs
RS-232	1
Operating conditions/dimensions	
Operating temperature	-20°C ... +65°C
Power requirements (DC)	PoE, or 7–25 VDC
Power consumption (@12 V)	4.2 W (PoE) / 3.4 W @ 12 VDC
Mass	210 g
Body dimensions (L × W × H in mm)	86 × 53.3 × 33 mm including connectors, w/o tripod and lens
Regulations	CE, FCC Class A, RoHS (2011/65/EU)



Features

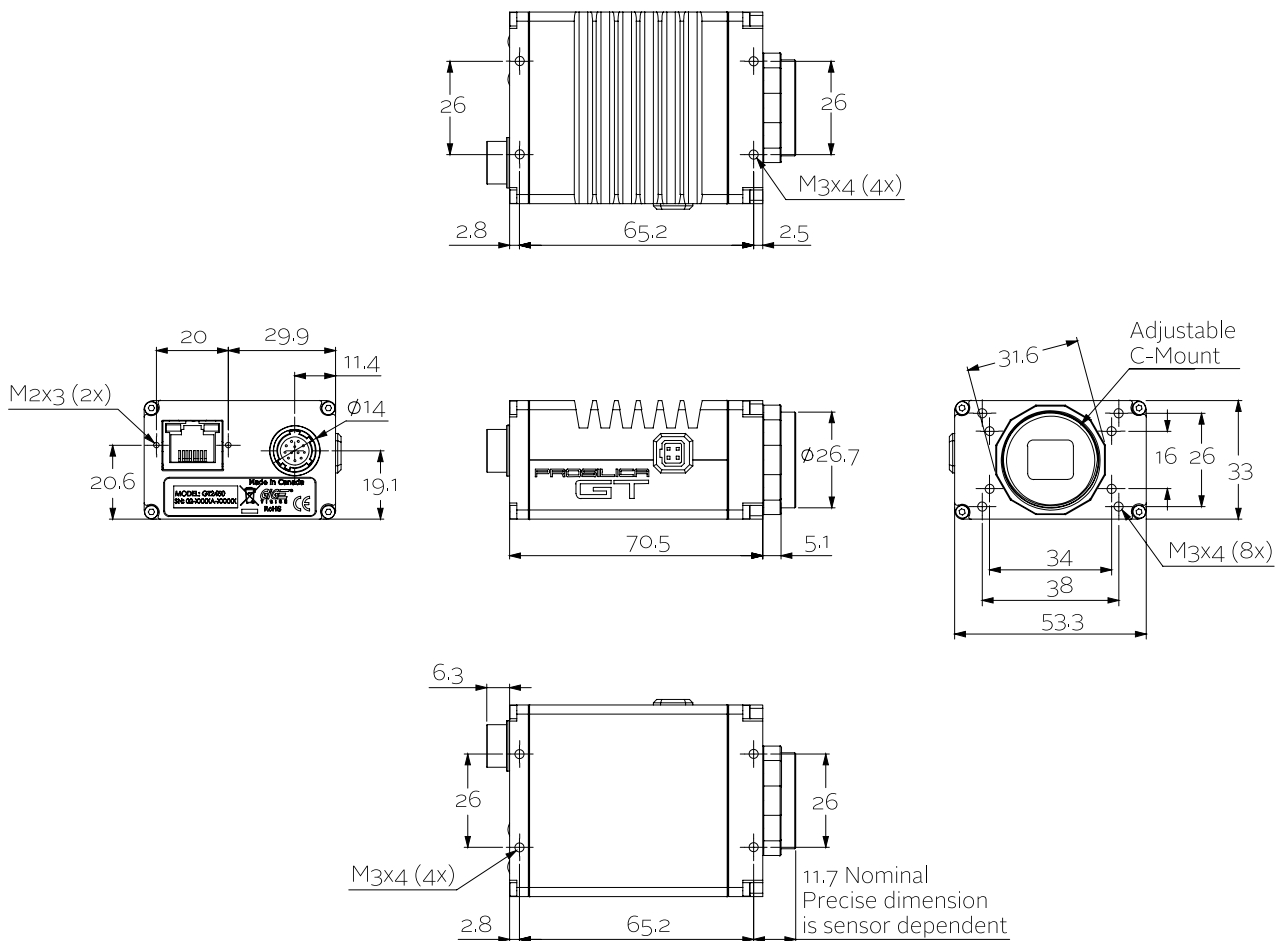
Prosilica GT2000 NIR features include:

- Precision Time Protocol (IEEE 1588)
- Camera temperature monitoring
- Defect masking
- Auto iris (P-Iris and DC-Iris)
- ROI, separate ROI for auto features
- Auto gain (manual gain control: 0 to 26 dB)
- Auto exposure (manual exposure control: 18 μs to 126.2 s)
- Auto white balance



- Gamma
- Hue, saturation, color correction
- StreamBytesPerSecond (easy bandwidth control)
- Stream hold
- Sync out modes: Trigger ready, input, exposing, readout, imaging, strobe, GPO
- Event channel
- Chunk data
- Storable user sets

Technical drawing



Applications

Prosilica GT2000 NIR is ideal for a wide range of applications including:



- Outdoor imaging
- Traffic imaging / ITS
- Public security and surveillance
- Industrial inspection
- Machine vision
- Microscopy
- Medical and healthcare
- ... and many more