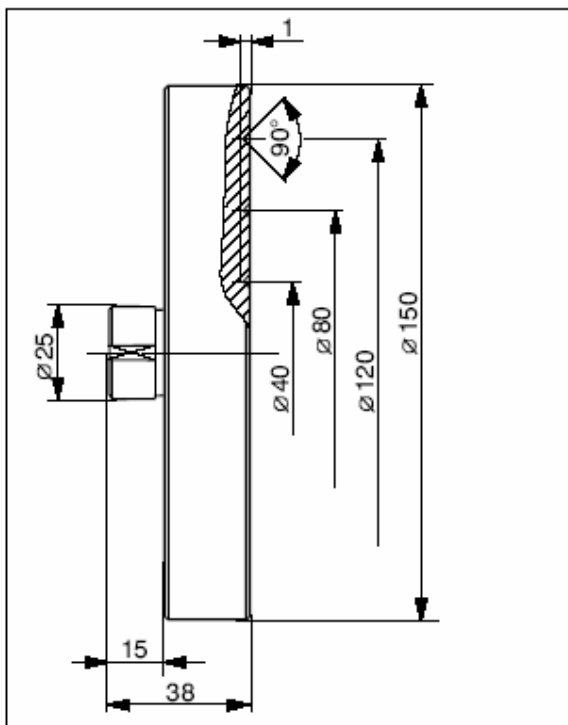


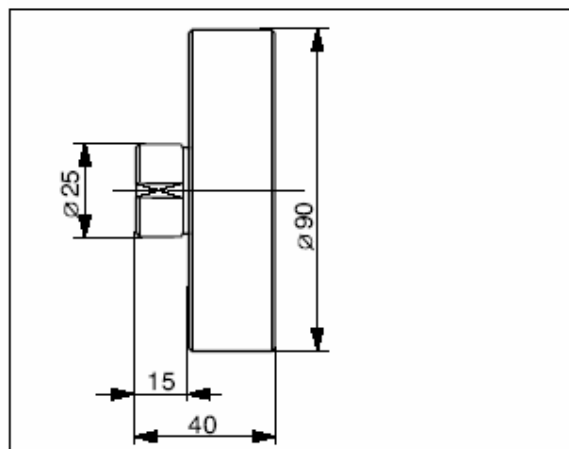
Столики. Схемы и типы.

Плоские.

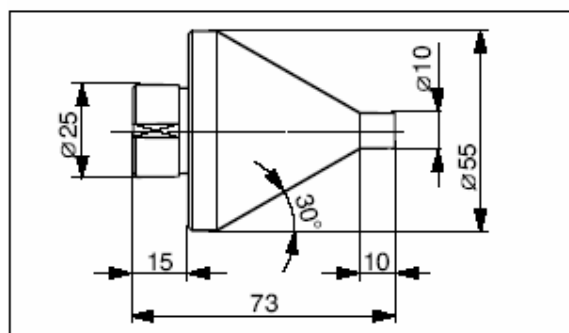
Test Anvil M4T P04



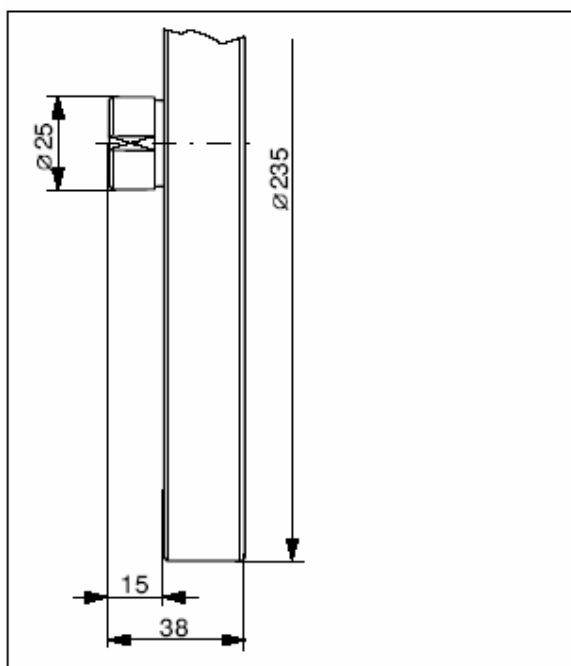
Test Anvil M4T P03



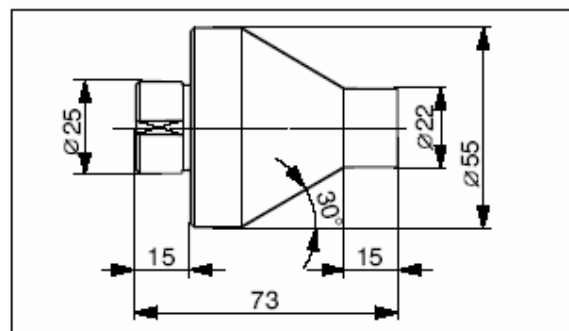
Test Anvil M4T P01



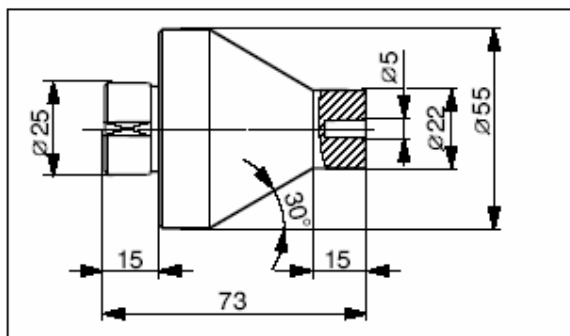
Test Anvil M4T P05



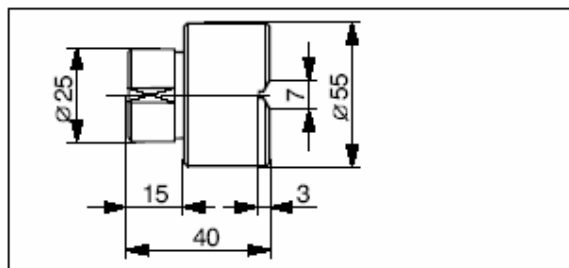
Test Anvil M4T P02



Test Anvil M4T PA2



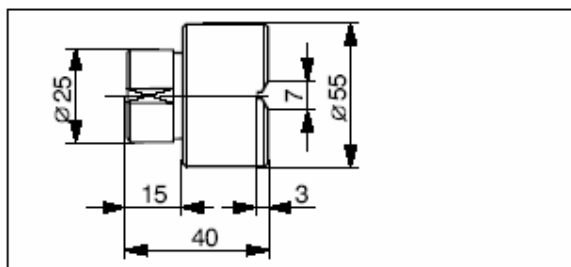
Test Anvil M4T V01



For workpiece diameter 4-10 mm

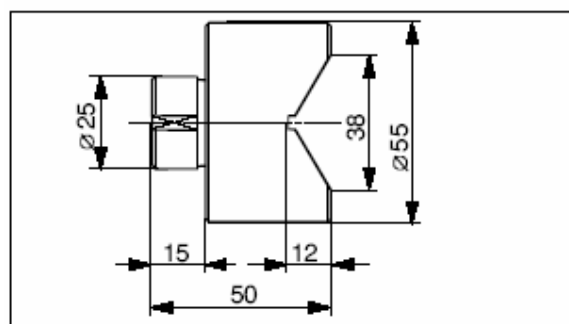
V – образной формы

Test Anvil M4T V01



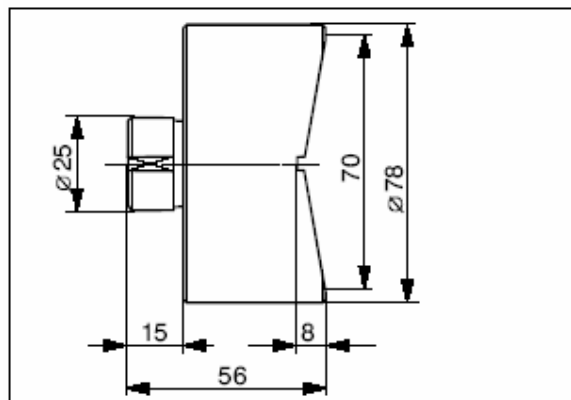
For workpiece diameter 4-10 mm

Test Anvil M4T V03



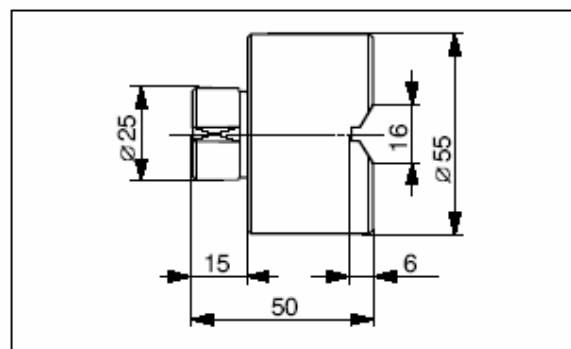
For workpiece diameter 15-55 mm

Test Anvil M4T V04



For workpiece diameter 22-220 mm

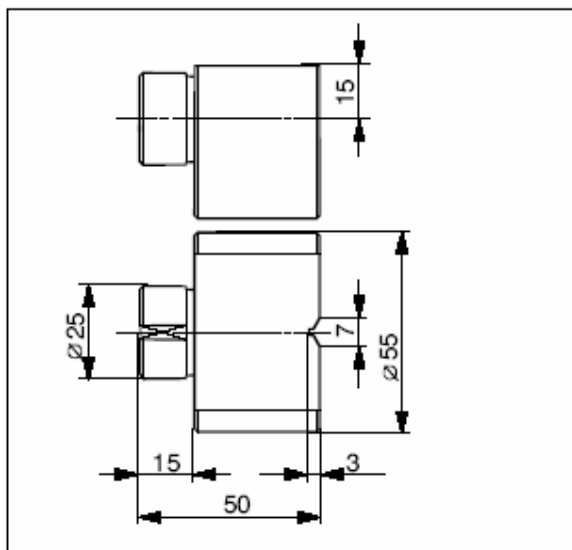
Test Anvil M4T V02



For workpiece diameter 8-20 mm

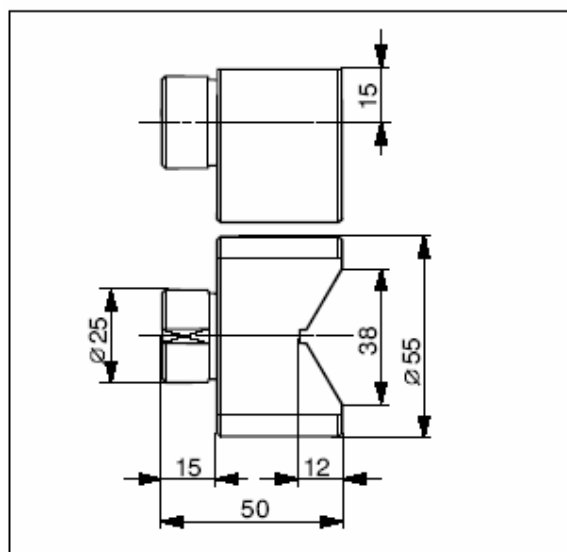
V – образной формы, пониженные

Test Anvil M4T V11



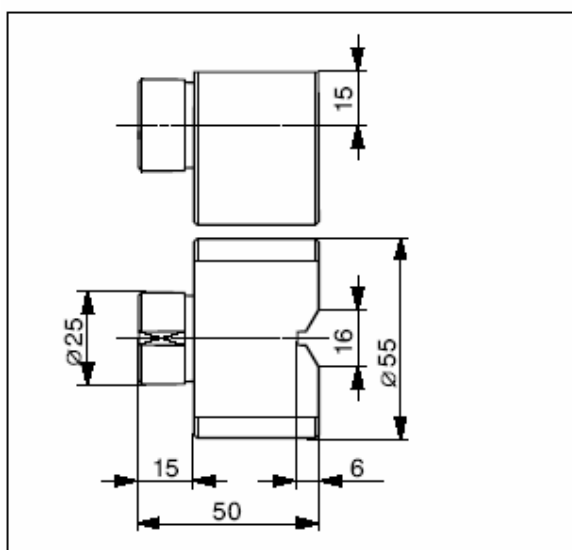
For workpiece diameter 4-10 mm

Test Anvil M4T V13



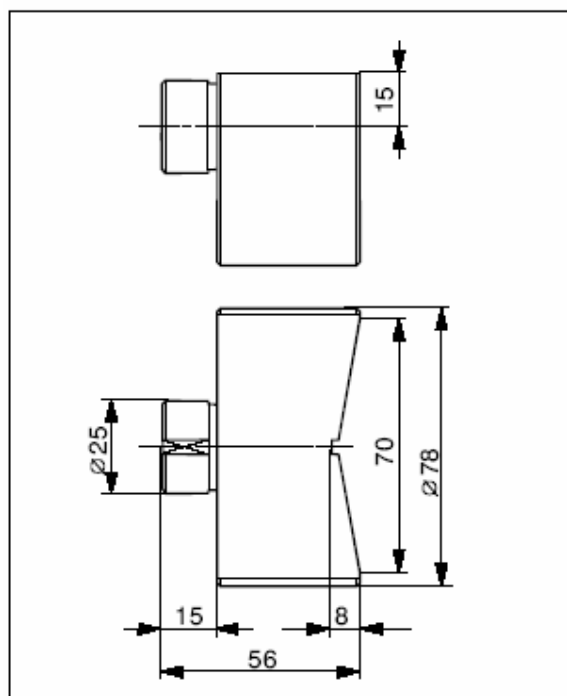
For workpiece diameter 15-55 mm

Test Anvil M4T V12



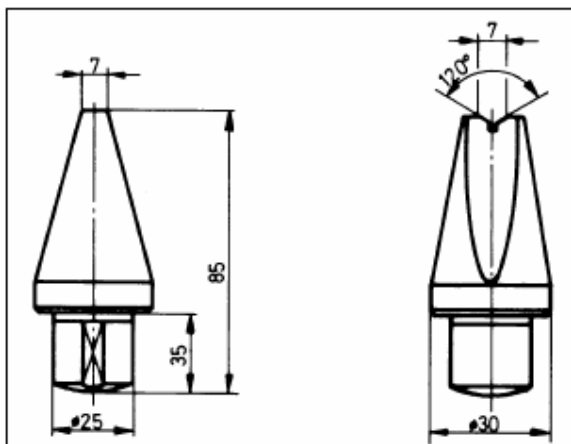
For workpiece diameter 8-20 mm

Test Anvil M4T V14



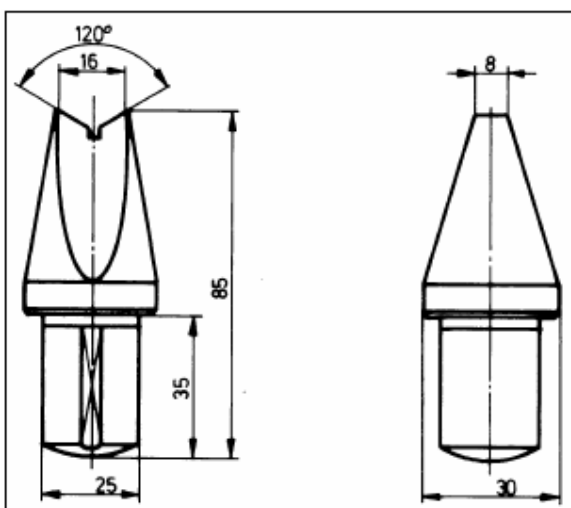
For workpiece diameter 22-220 mm

Наконечники столика



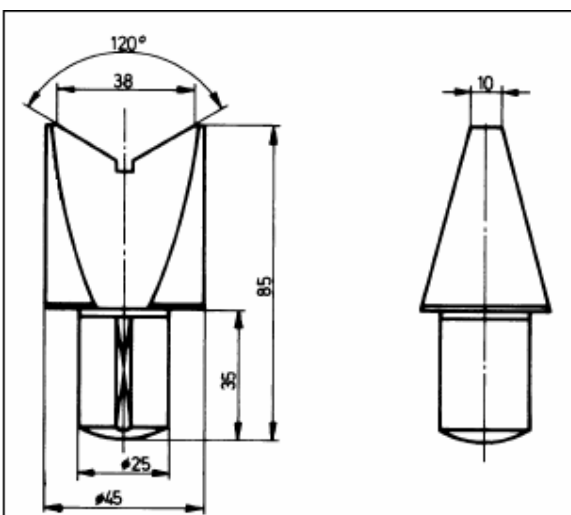
For workpiece diameter 4-10 mm

Test Anvil M4T V21



For workpiece diameter 8-20 mm

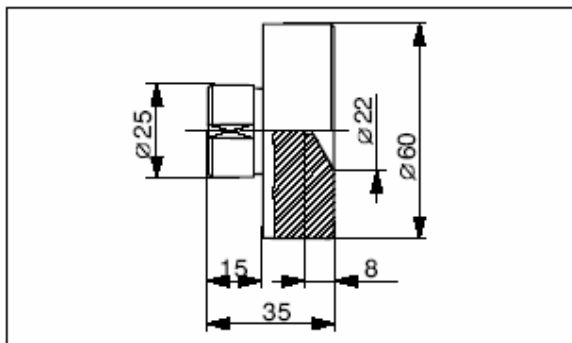
Test Anvil M4T V22



For workpiece diameter 15-55 mm

Test Anvil M4T V23

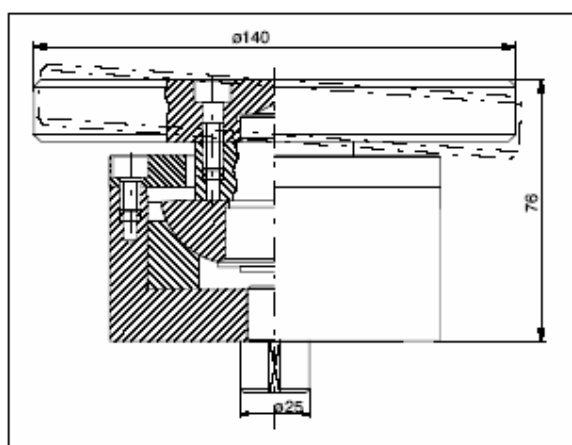
Наконечники столика для шарикового индентора



Test Anvil M4T K01

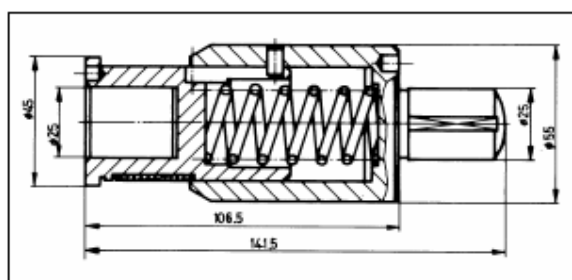
For workpiece diameter 4-10 mm

Столик с пружинным подшипником



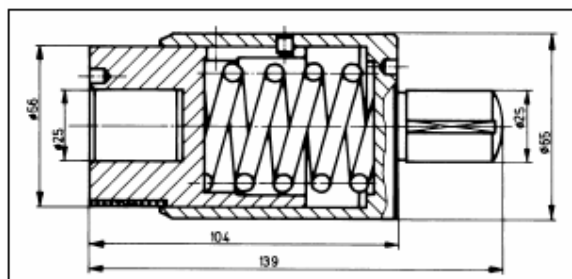
Test Anvil M4T S01

Столики с пружинным зажимом.



Test Anvil M4T A01

For loads 100-700 N



Test Anvil M4T A02

For loads 300-1500 N