

QSDC-18000-31000-30-20-K

18~31GHz, 30W, 20dB

Features:

- * Broadband
- * Low Insertion Loss

Applications:

- * Amplifiers
- * Transmitter
- * Laboratory Test
- * Radar

Electrical

Frequency:	18~31GHz
Insertion Loss:	1.4dB max.
VSWR:	1.6 max.
Directivity:	12dB min.
Coupling:	20±1dB
Coupling Flatness:	±1.0dB
Impedance:	50Ω
Average Power:	30W

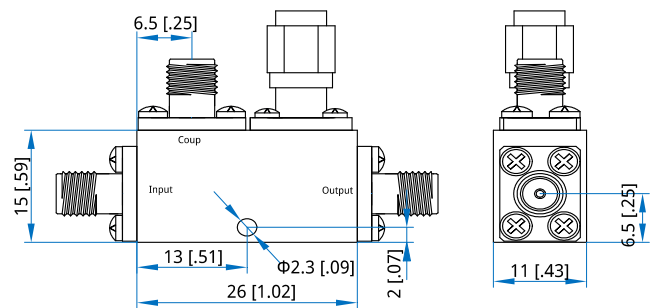
Mechanical

Size*1:	26*15*11mm 1.02*0.59*0.43in
Connectors:	2.92mm Female
Mounting:	Φ2.3mm through-hole

[1] Exclude connectors and terminations.

Environmental

Temperature:	-45~+85°C
--------------	-----------

Outline Drawings


Unit: mm [in]

Tolerance: ±0.5mm [±0.02in]

How To Order

QSDC-18000-31000-30-20-K

Customization is available upon request.