

QPS1-6000-18000-R

SPST, 6~18GHz, Reflective

Features:

- * Low Insertion Loss
- * High Isolation

Applications:

- * Wireless
- * Transmitter
- * Laboratory Test
- * Radar

Electrical

Frequency:	6~18GHz
Insertion Loss:	3.2dB max.
Isolation:	60dB min.
VSWR:	2 max.
Power:	23dBm max.
On/Off Delay:	50nS max.
Control:	TTL High - 1 TTL Low/NC - 0

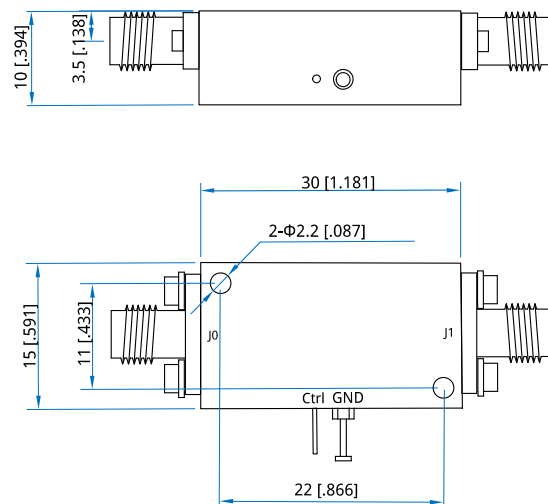
Mechanical

Size*1:	30*15*10mm 1.181*0.591*0.394in
RF Connectors:	SMA Female
Power Supply Connectors:	Feed Through/Terminal Post
Housing Material:	Aluminum
Mounting:	2-Φ2.2mm through-hole

[1] Exclude connectors.

Environmental

Operating Temperature:	-40~+70°C
Non-operating Temperature:	-55~+85°C

Outline Drawings


Unit: mm [in]

Tolerance: ±0.2mm [±0.008in]

Control True Table

Ctrl	Connection
0	On
1	Off

How To Order

QPS1-6000-18000-R

Customization is available upon request.