

# QPD2-400-6000

2-Way, 0.4~6GHz

**Features:**

- \* Small Size
- \* Low Insertion Loss

**Applications:**

- \* Amplifiers
- \* Mixers
- \* Antennas
- \* Laboratory Test

**Electrical**

Frequency:	0.4~6GHz
Insertion Loss:	1.2dB max. (SMA) 1.4dB max. (N)
Input VSWR:	1.3 max.
Output VSWR:	1.2 max.
Isolation:	20dB min.
Amplitude Balance:	0.2dB max.
Phase Balance:	±3°
Impedance:	50Ω
Average Power:	30W max. 2W max. as combiner

**Mechanical**

Mounting: 4-Φ3.2mm through-hole

**Environmental**

Operation Temperature: -35~+75°C

**How To Order**

**QPD2-400-6000-X-Y**

X: Average power as divider

Y: Connector type

Connector naming rules:

S - SMA Female (Outline A)

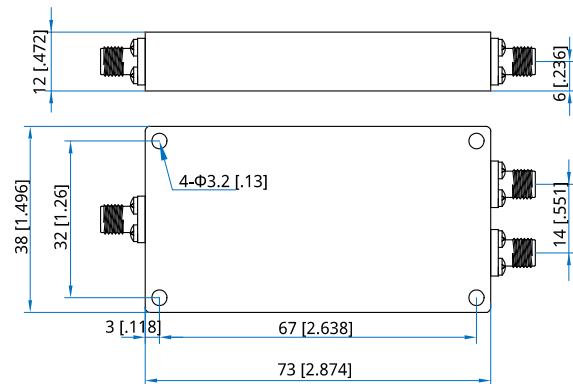
N - N Female (Outline B)

Examples:

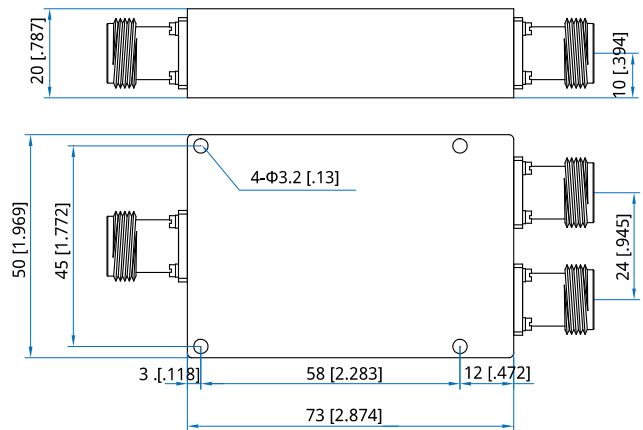
To order a 2-way power divider, 0.4~6GHz, 30W, N female, specify QPD2-400-6000-30-N.

Customization is available upon request.

**Outline Drawings**



Outline A



Outline B

Unit: mm [in]  
Tolerance: ±0.5mm [±0.02in]