

QPD2-0-26500-2-S

DC~26.5GHz, 2W

Features:

- * Small Size
- * Low Insertion Loss

Applications:

- * Amplifiers
- * Mixers
- * Antennas
- * Laboratory Test

Electrical

Frequency:	DC~26.5GHz
Insertion Loss:	7.5dB max.
Input VSWR:	1.5 max.
Output VSWR:	2.5 max.
Isolation:	8dB min.
Amplitude Balance:	±0.4dB
Phase Balance:	±3°
Average Power:	2W
Impedance:	50Ω

Mechanical

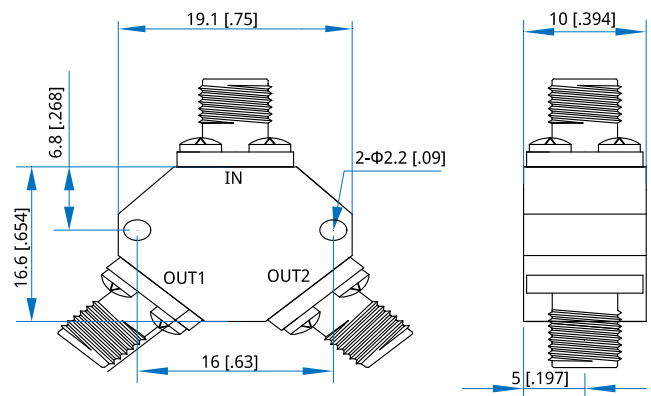
Size ^{*1} :	19.1*16.6*10mm 0.75*0.654*0.394in
Connectors:	SMA Female
Mounting:	2-Φ2.2mm through-hole

[1] Exclude connectors.

Environmental

Operation Temperature:	-32~+85°C
------------------------	-----------

Outline Drawings



Unit: mm [in]

Tolerance: ±0.5mm [±0.02in]

How To Order

QPD2-0-26500-2-S

Customization is available upon request.