

QBM-24000-40000

24~40GHz

Features:
 * Low Conversion Loss
 * High Isolation

Applications:
 * Wireless
 * Transceiver
 * Laboratory Test
 * Broadcast

Electrical

RF Frequency: 24~40GHz
 LO Frequency: 24~40GHz
 LO Input Power: +9dBm typ
 IF Frequency: DC~20GHz
 Conversion Loss: 10dB typ.
 RF/IF Input Power: 15dBm max.
 Isolation (LO, RF): 40dB typ.
 Isolation (LO, IF): 30dB typ.
 Isolation (RF, IF): 20dB typ.

Mechanical

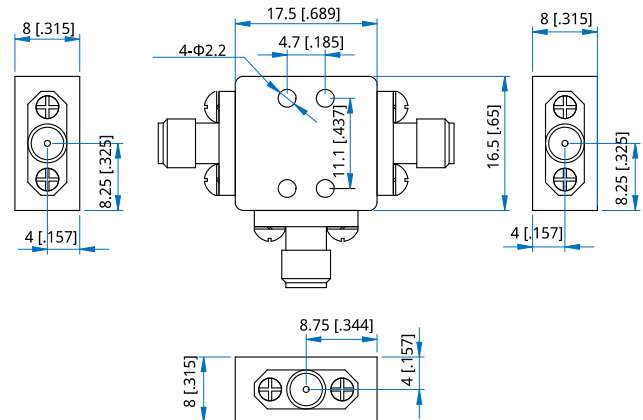
Size*1: 17.5*16.5*8mm
 0.689*0.65*0.315in
 IF Connectors: SMA Female
 RF/LO Connectors: 2.92mm Female
 Mounting: 4*Φ2.2mm through-hole

[1] Exclude connectors.

Environmental

Operating Temperature: -40~+85°C

Outline Drawings



Unit: mm [in]

Tolerance: ±0.2mm [±0.008in]

How To Order

QBM-24000-40000

Customization is available upon request.