

# QBF-7000-7400-40

## High Stopband Rejection

**Features:**

- \* High Stopband Rejection
- \* Small Size

**Applications:**

- \* Telecom
- \* Laboratory Test
- \* Receivers
- \* Instrumentation

**Electrical**

Passband:	7~7.4GHz
Passband Insertion Loss:	1.2dB max.
VSWR:	1.5 max.
Stopband Attenuation:	40dBc@DC~6.76GHz min. 40dBc@7.64~10GHz min.

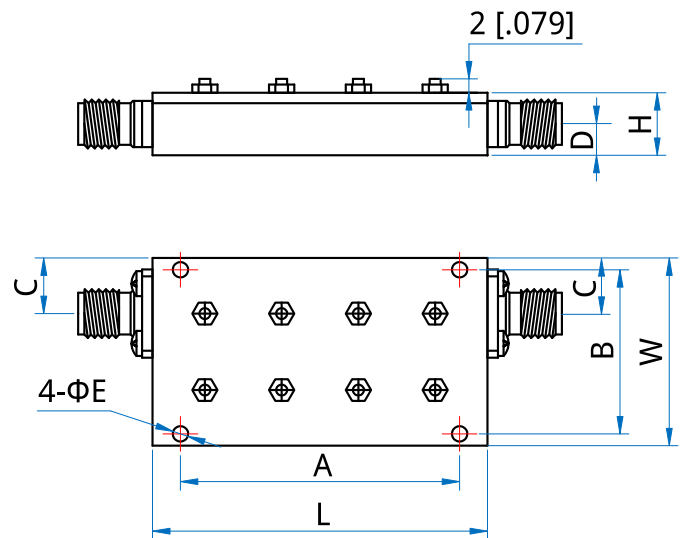
**Mechanical**

RF Connectors:	SMA Female
Mounting:	4*Φ2.2mm through-hole

**Environmental**

Operating Temperature:	-40~+70°C
Non-operating Temperature:	-55~+85°C

**Outline Drawings**



Size	L	W	H	A	B	C	D	E
mm	60	32	11	56	28	9	5.5	2.2
in	2.362	1.26	0.433	2.205	1.102	0.354	0.217	0.087

Unit: mm [in]

Tolerance: ±0.2mm [±0.008in]

**How To Order**

**QBF-7000-7400-40**

Customization is available upon request.