

### AT-BPF-6671-12A: 66-71GHz Band-Pass Filter, WR-12



#### Product Overview

AT Microwave offers high performance band waveguide band-pass filter from 26.5-170GHz. Other frequency bands and rejection requirement can provide according to request.

Based on our excellent design work, precise machine tolerance and outstanding quality plating, we can provide band pass filter with low insertion loss, good return loss and high rejection at the same time.

More information, please visit [www.atmicrowave.com](http://www.atmicrowave.com)

#### Advantages

- ✓ Low Insertion Loss
- ✓ Good Return Loss
- ✓ High Stop Band Suppression
- ✓ Sharp Roll-Off

#### Application

- ✓ Automotive Radar Test
- ✓ FOD (Foreigner Objects Debris)
- ✓ Test Equipment
- ✓ ROF (RF Over Fiber)
- ✓ Radar System

#### Key Features

Parameter	Min	Typical	Max
Passband Frequency		66-71GHz	
Insertion Loss		-1.0 dB	-2.0
Passband Return Loss	-10	-15 dB	
Low End Rejection: 50-62GHz		-40dBc	
High End Rejection: 76-90GHz		-40dBc	
Spec Temp		25C	





# AT-BPF-6671-12A

E Band Waveguide Band-Pass Filter, WR-12

## Mechanical Information

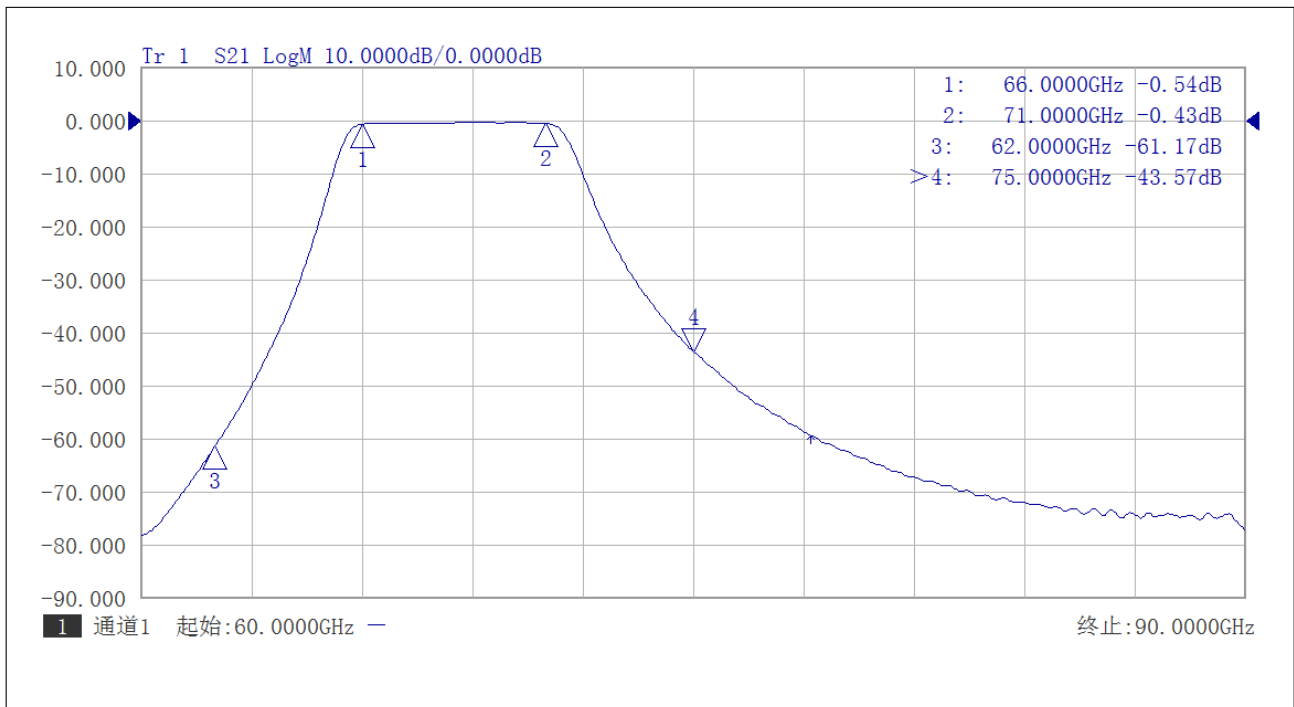
Item	Description
Input Port	WR-12, UG-387/U Flange with anti-cocking Flange
Output Port	WR-12, UG-387/U Flange with anti-cocking Flange
Case Material	Brass
Finish	Gold Plated
Weight	35g
Size:	See Dimension

## Absolute Maximum Ratings Table

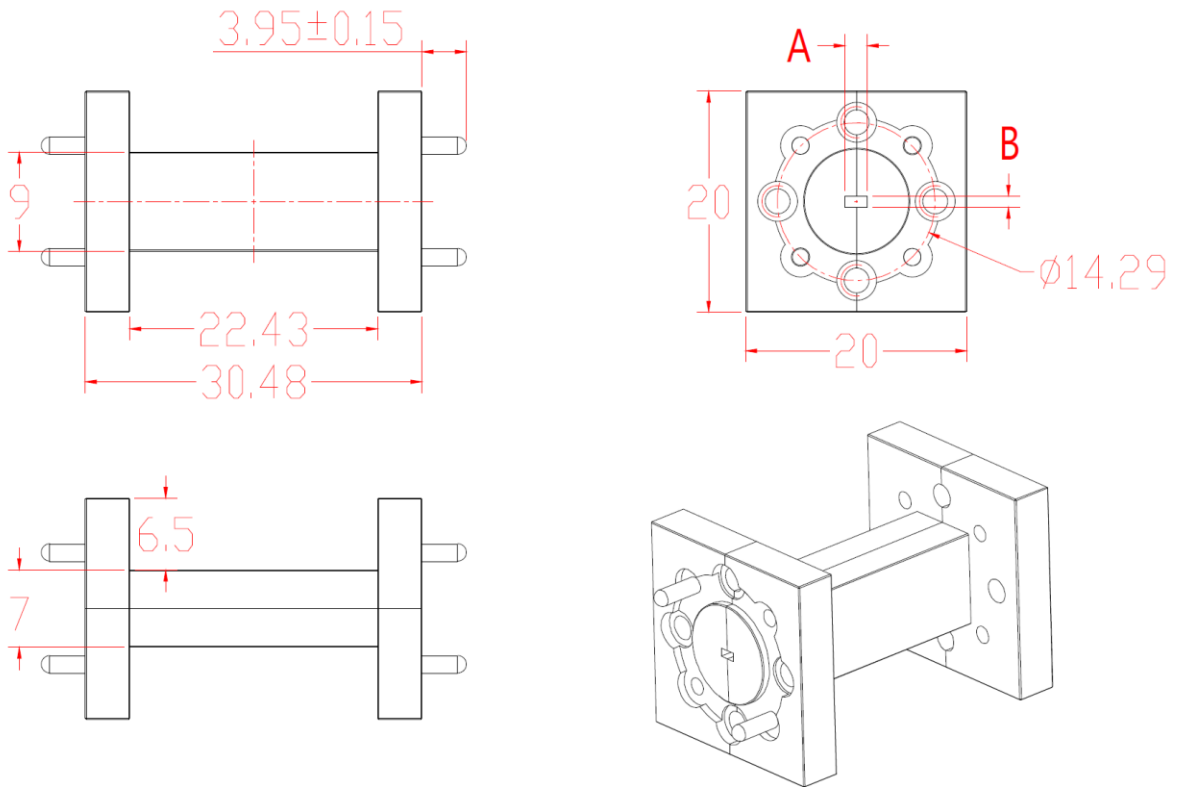
Parameter	Value
Operating Temperature	-40 to +85C
Storage Temperature	-65 to +150C

## Test Result

Performance may vary slight from unit to unit.



### Dimension (mm)



Waveguide	A x B (inch)	A x B (mm)
WR-15	0.148x0.074	37.59x18.80
WR-12	0.122x0.061	30.99x15.49
WR-10	0.100x0.050	25.40x12.70
WR-08	0.080x0.040	20.32x10.16
WR-06	0.065x0.032	16.51x8.25

