

QLA-10700-12750-25-30

10.7~12.75GHz, 25dB, 3dB

Features:
 * Broad Band
 * Low Noise

Applications:
 * Wireless
 * Receiver
 * Laboratory Test
 * Radar

Electrical

Frequency:	10.7~12.75GHz
Gain:	25dB min.
Gain Flatness:	±0.5dB typ.
Output Power (P1dB):	+8dBm min.
Noise Figure:	3dB max.
Spurious:	-65dBc max.
VSWR:	1.5 typ.
Voltage:	+5V DC
Current:	50mA typ.
Impedance:	50Ω
Input Power:	+10dBm max.

Mechanical

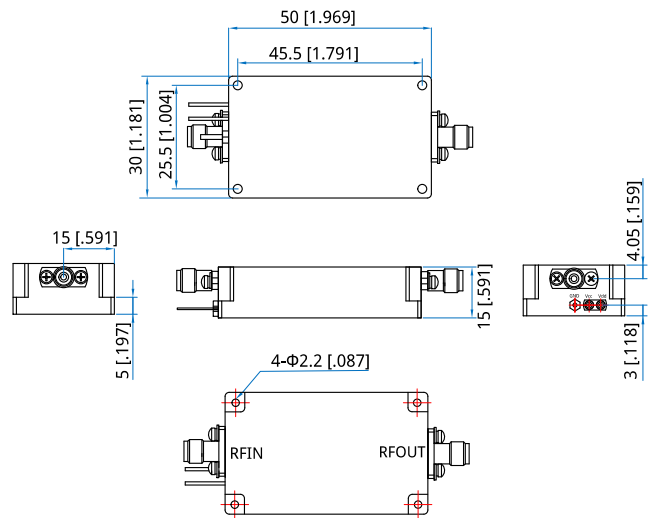
Size ^{*1} :	50*30*15mm 1.969*1.181*0.591in
Weight:	100g max.
RF Connectors:	SMA Female
Mounting:	4-Φ2.2mm through-hole

[1] Exclude connectors.

Environmental

Operating Temperature:	-20~+80°C
Non-operating Temperature:	-40~+85°C

Outline Drawings



Unit: mm [in]
 Tolerance: ±0.2mm [±0.008in]

How To Order

QLA-10700-12750-25-30

Customization is available upon request.