

QFA6710

DC~67GHz, 10W

Features:

- * Low VSWR
- * High Attenuation Flatness

Applications:

- * Wireless
- * Transmitter
- * Laboratory Test
- * Radar

Electrical

Frequency:	DC~67GHz
Attenuation:	20dB
Impedance:	50Ω
Average Power*1:	10W@25°C max.
Peak Power:	20W (5μS pulse width, 1% duty cycle)

[1] Derated linearly to 0.5W@125°C.

Mechanical

RF Connectors:	1.85mm
Housing:	Passivated stainless steel
Dielectric:	PEI
Male Inner Conductor:	Gold plated brass
Female Inner Conductor:	Gold plated beryllium copper

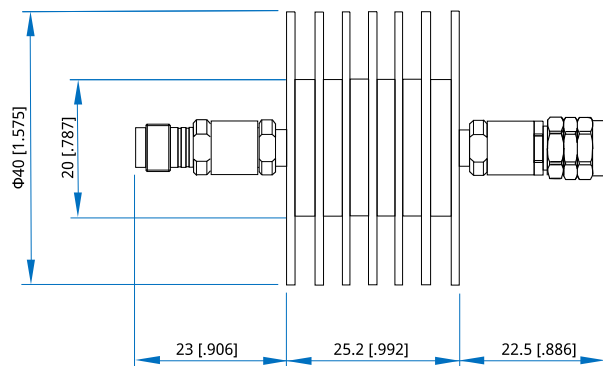
Environmental

Operating Temperature:	-55~+125°C
Non-Operating Temperature:	-55~+125°C

Attenuation Accuracy and VSWR

Frequency (GHz)	Attenuation Accuracy (±dB) vs. Attenuation (dB)	VSWR (max.)
DC~67	-1.5/+2.0	1.45

Outline Drawings



Unit: mm [in]
Tolerance: ±2mm [±0.08in]

How To Order

QFA6710-X-Y-Z

- X: Frequency in GHz
- Y: Attenuation in dB
- Z: Connector type

Connector naming rules:

V - 1.85mm

Examples:

To order an attenuator, DC~67GHz, 1.85mm male to 1.85mm female, 20dB attenuation, specify QFA6710-67-20-V.

Customization is available upon request.