

QDI5050X

High Power, High Isolation

Features:

- * High Power
- * High Isolation
- * Low Insertion Loss
- * Low VSWR

Applications:

- * Wireless
- * Radar
- * Laboratory Test

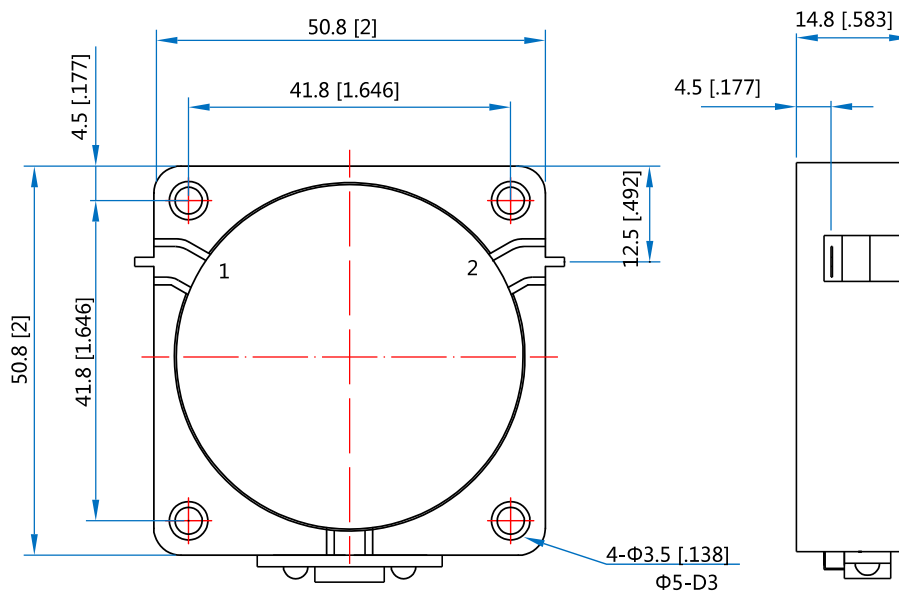
Description

QDI5050X series Drop-In Isolators cover frequency range 160~330MHz. High power, high isolation and low insertion loss make it ideal for a lot of applications like amplifiers, transceivers, etc.

Specifications

| Frequency (MHz) | Bandwidth (MHz) | Insertion Loss (dB Max.) | Isolation (dB Min.) | VSWR (Max.) | Fwd Power (W Max.) | Rev Power (W) | Temperature (°C) |
|-----------------|-----------------|--------------------------|---------------------|-------------|--------------------|---------------|------------------|
| 160~200 | 10 | 0.70 | 18.0 | 1.30 | 500 | 10~100 | -30~+70 |
| 192~232 | 40 | 0.60 | 18.0 | 1.30 | 500 | 10~100 | -30~+70 |
| 200~220 | 20 | 0.40 | 20.0 | 1.25 | 500 | 10~100 | -30~+70 |
| 220~240 | 20 | 0.40 | 23.0 | 1.20 | 500 | 10~100 | -30~+70 |
| 260~330 | 10 | 0.20 | 18.0 | 1.30 | 500 | 10~100 | -30~+70 |
| 260~330 | 70 | 0.40 | 20.0 | 1.25 | 500 | 10~100 | -30~+70 |

Outline Drawings



Unit: mm [inch] Tolerance: ±0.2mm [±0.008in]

Mechanical

| | |
|-----------------|---|
| Size*1: | 50.8*50.8*14.8mm 2*2*0.583in |
| Connector Type: | Strip line |
| Mounting: | 4- Φ 3.5mm through-hole Φ 5, depth 3mm |

[1] Exclude connectors and terminations.

Direction Naming Rules:

- 1 - Clockwise
- 2 - Anticlockwise

How To Order**QDI5050X-V-W-X-Y-Z**

- V: Start frequency in MHz
- W: Stop frequency in MHz
- X: Forward Power in W
- Y: Reverse Power in W
- Z: Direction type

Examples:

To order a QDI5050X series Isolator, 160~170MHz, Forward power 500W, Reverse power 10W, Clockwise, specify QDI5050X-160-170-K5-10-1.

Customization is available upon request.