

QDI1925X

High Power, High Isolation

Features:

- * High Power
- * High Isolation
- * Low Insertion Loss
- * Low VSWR

Applications:

- * Wireless
- * Radar
- * Laboratory Test

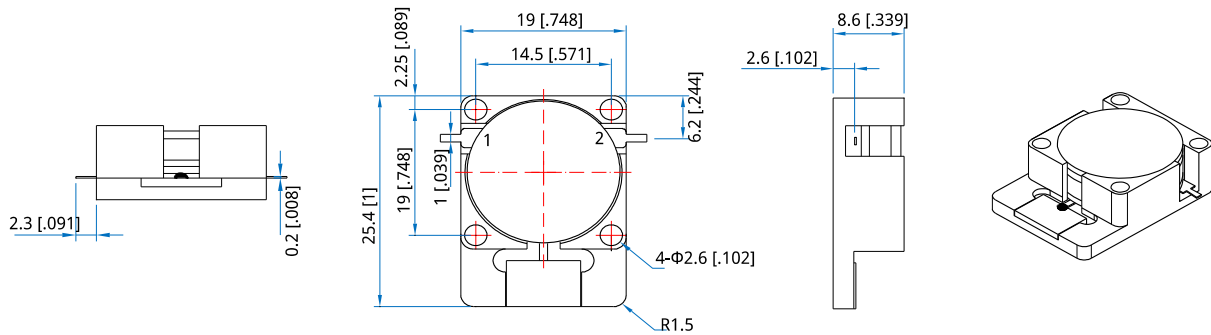
Description

QDI1925X series Drop-In Isolators cover frequency range 800~3600MHz. High power, high isolation and low insertion loss make it ideal for a lot of applications like amplifiers, transceivers, etc.

Specifications

Frequency (MHz)	Bandwidth (MHz)	Insertion Loss (dB Max.)	Isolation (dB Min.)	VSWR (Max.)	Fwd Power (W Max.)	Rev Power (W)	Temperature (°C)
800~1000	20	0.40	20.0	1.25	100	100	-30~+70
865~880	15	0.40	20.0	1.25	100	100	-30~+70
925~960	35	0.40	20.0	1.25	100	100	-30~+70
1000~1700	60	0.30	23.0	1.20	100	100	-30~+70
1000~1700	200	0.40	20.0	1.25	100	100	-30~+70
1030~1090	60	0.30	23.0	1.20	100	100	-30~+70
1000~1200	200	0.40	20.0	1.25	100	100	-30~+70
1100~1300	200	0.40	20.0	1.25	100	100	-30~+70
1325~1375	50	0.30	23.0	1.20	100	100	-30~+70
1500~1700	200	0.40	20.0	1.20	100	100	-30~+70
1700~3000	75	0.30	23.0	1.20	100	100	-30~+70
1700~3000	200	0.40	20.0	1.25	100	100	-30~+70
1700~1900	200	0.40	20.0	1.25	100	100	-30~+70
1710~1785	75	0.30	23.0	1.20	100	100	-30~+70
1805~1880	75	0.30	23.0	1.20	100	100	-30~+70
1920~1980	70	0.30	23.0	1.20	100	100	-30~+70
2110~2170	60	0.30	23.0	1.20	100	100	-30~+70
2000~2200	200	0.30	23.0	1.20	100	100	-30~+70
2100~2700	600	0.50	18.0	1.35	100	100	-30~+70
2200~2400	200	0.30	23.0	1.20	100	100	-30~+70
2300~2500	200	0.30	23.0	1.20	100	100	-30~+70
2300~2700	400	0.40	20.0	1.25	100	100	-30~+70
2700~3100	400	0.40	20.0	1.25	100	100	-30~+70
3100~3400	300	0.40	20.0	1.25	100	100	-30~+70
3400~3600	200	0.30	23.0	1.20	100	100	-30~+70
3400~4300	900	0.50	20.0	1.25	100	100	-30~+70

Outline Drawings



Unit: mm [inch] Tolerance: $\pm 0.2\text{mm}$ [$\pm 0.008\text{in}$]

Mechanical

Size^{*1}: 19*25.4*8.6mm
 0.748*1*0.339in
 Connector Type: Strip line
 Mounting: 4-Φ2.6mm through-hole

[1] Exclude connectors and terminations.

Direction Naming Rules:

- 1 - Clockwise
- 2 - Anticlockwise

How To Order

QDI1925X-V-W-X-Y-Z

- V: Start frequency in MHz
- W: Stop frequency in MHz
- X: Forward Power in W
- Y: Reverse Power in W
- Z: Direction type

Examples:

To order a QDI1925X series Isolator, 2700~3100MHz, Forward power 100W, Reverse power 100W, Clockwise, specify QDI1925X-2700-3100-K1-K1-1.

Customization is available upon request.