

500-2500MHz/50Watt/Module

Model Number: KB0525M47A

The model KB0525M47A is a multi-octave high power amplifier operating between 500 MHz and 2500 MHz and offering a wide dynamic Range with 50 Watts typical saturated power. The employment of gallium nitride (GaN) and chip-and-wire technology in manufacturing ensures this module state-of-the-art power performance with excellent power-to-volume ratio. It is ideal for multi-octave high power RF linear applications.

FEATURES:

- Suitable for RF applications
- Small size and light weight
- Unconditional stability and ruggedness
- Built-in control, and

ELECTRICAL SPECIFICATIONS @ +28.0VDC, 25°C, 50Ω

Parameter	Symbol	Min	Typ	Max	Units
Operating Frequency	BW	500		2500	MHz
RF Output Power	Pout		50		Watt
Power Gain	Gp		48		dB
Power Gain Flatness	ΔGp		±2		dB
Input Return Loss	S11			-10	dB
Harmonics @50W	H		-15		dBc
Spurious Signals	Spur		-60		dBc
Switching Speed	TON/OFF		2	5	μS
In/Output Impedance	Impedance		50		Ω
Operating Voltage	VDC	24	28	32	Volt
Power add efficiency	Eff		30		%
Current Consumption @ POUT = 50W	IDD			7	Amp
Current Consumption @ Shutdown	ISD		0.2		Amp
RF Input to Output Isolation(During OFF State)	Isolation		85		dBc

MECHANICAL SPECIFICATIONS

Parameter	Value	Units	Notes
Dimensions	140x85x20.5 [5.5x3.3x0.8]	mm [inch]	Maximum
Weight	0.65 [1.43]	kg [lbs]	Maximum
RF Connectors Input	SMA, Female		
RF Connectors Output	SMA, Female		
DC Interface Connector	D-Sub 9-Pin, Male		
Cooling	External Heat sink Required (Not Supplied)		

ENVIRONMENTAL CHARACTERISTICS (Design to Meet)

Parameter	Minimum	Typical	Maximum	Units	Notes
Operating Temperature	-20		60	°C	
Non-operating Temperature	-25		65	°C	Storage
Relative Humidity (non-condensing)			95	%	

ABSOLUTE MAXIMUM RATING

Input RF drive level without damage	+10 dBm (Max)
Load VSWR @ POUT =30W	∞ @ all load phase & amplitude for duration of 1 minutes; 3:1 @ all load phase & amplitude continuous

Focus on Your Application

Chengdu KeyLink Microwave Technology Co., Ltd.

>> 5-2, Huidu Headquarters Park, High-Tech(West) Zone, Chengdu, 611731, P. R. China

>> Phone: +86(28)87870761*8708 >> Fax: +86(28)87883266

>> Email: sales@keylinkmw.com >> www.keylinkmw.com

Specifications subject to change without notice

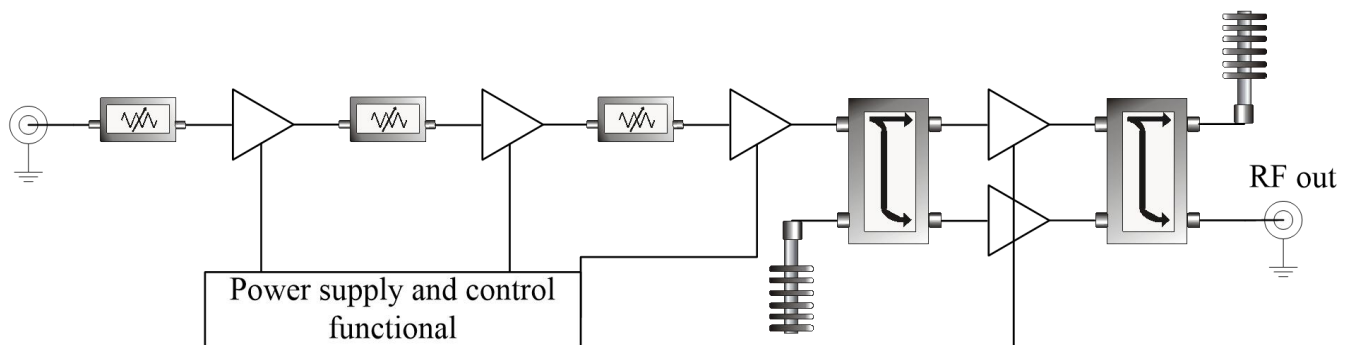
500-2500MHz/50Watt/Module

Model Number: KB0525M47A

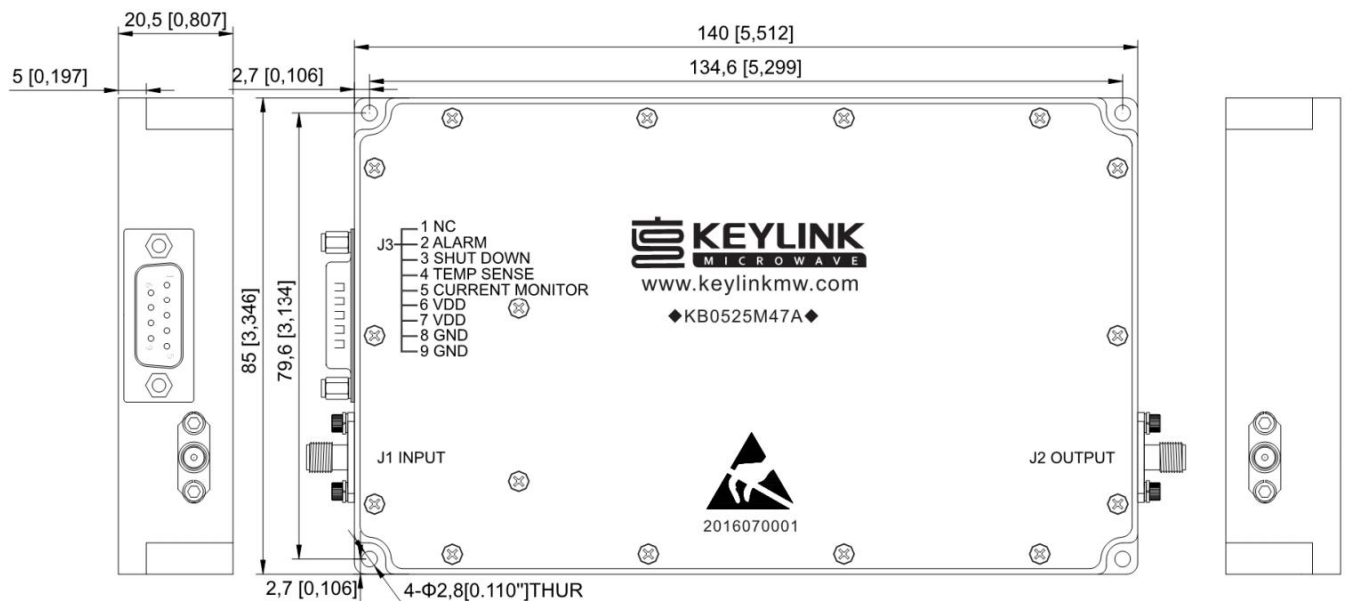
DC INTERFACE CONNECTOR

Pin #	Description	Specifications
1	N/C	No electrical connection
2	Alarm	Amplifier Alarm indicator: Normally TTL Low
3	Shutdown	Amplifier Disable: TTL Logic High (3.3V) (Internally Pulled-Low)
4	Temperature Sense	Analog voltage relative to Module's Temperature @ 10 mV/°C
5	Current Monitor	Analog voltage relative to IDD @ 100mV per Ampere
6	VDD	28VDC
7	VDD	28VDC
8	GND	Ground
9	GND	Ground

Functional Diagram



OUTLINE DRAWING (All dimensions in mm [inch])



Focus on Your Application

Chengdu KeyLink Microwave Technology Co., Ltd.

>> 5-2, Huidu Headquarters Park, High-Tech(West) Zone, Chengdu, 611731, P. R. China

>> Phone: +86(28)87870761*8708 >> Fax: +86(28)87883266

>> Email: sales@keylinkmw.com >> www.keylinkmw.com

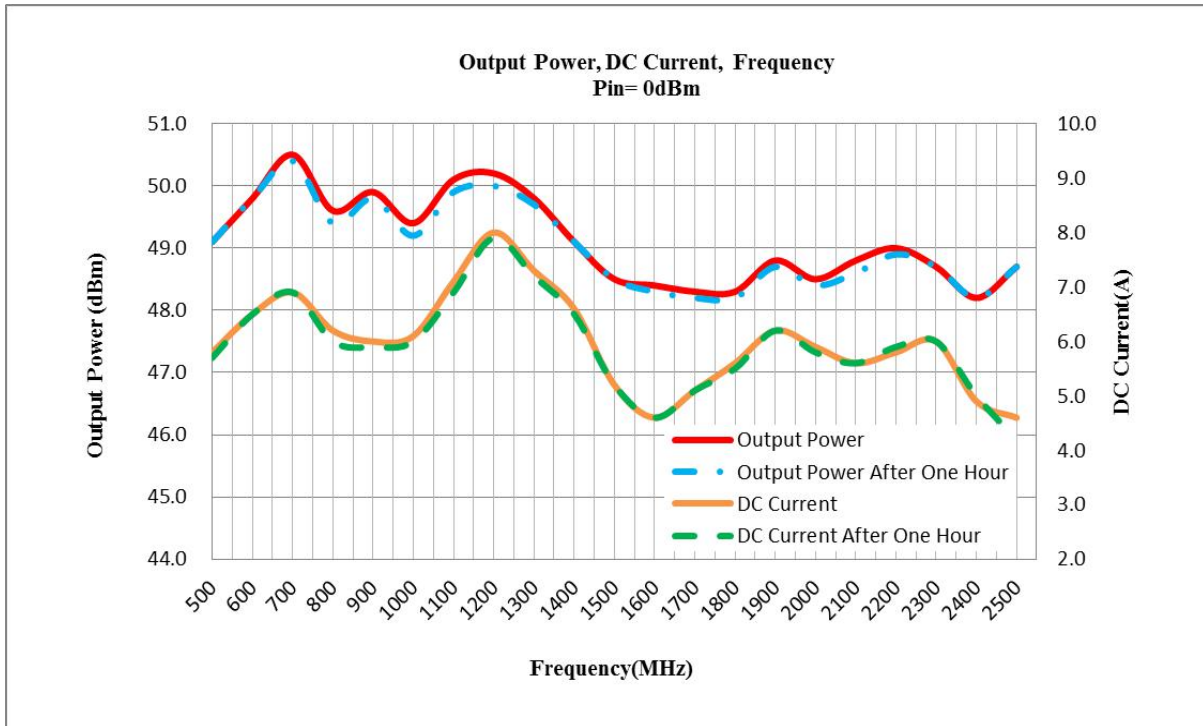
Specifications subject to change without notice

500-2500MHz/50Watt/Module

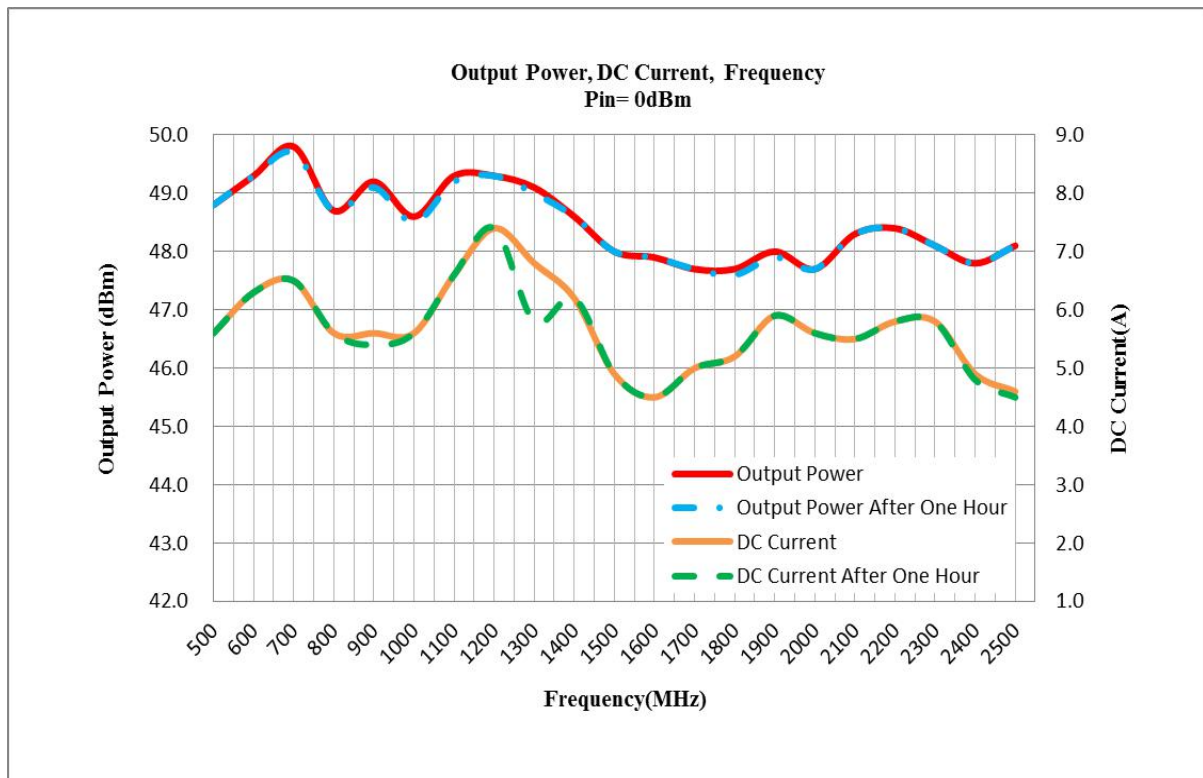
Model Number: KB0525M47A

TYPICAL PERFORMANCE PLOTS (for reference only)

Graph 1: Output Power (Low temp. -20±3°C)



Graph2: Output Power (High temp. +60±3°C)



Focus on Your Application

Chengdu KeyLink Microwave Technology Co., Ltd.

>> 5-2, Huidu Headquarters Park, High-Tech(West) Zone, Chengdu, 611731, P. R. China

>> Phone: +86(28)87870761*8708 >> Fax: +86(28)87883266

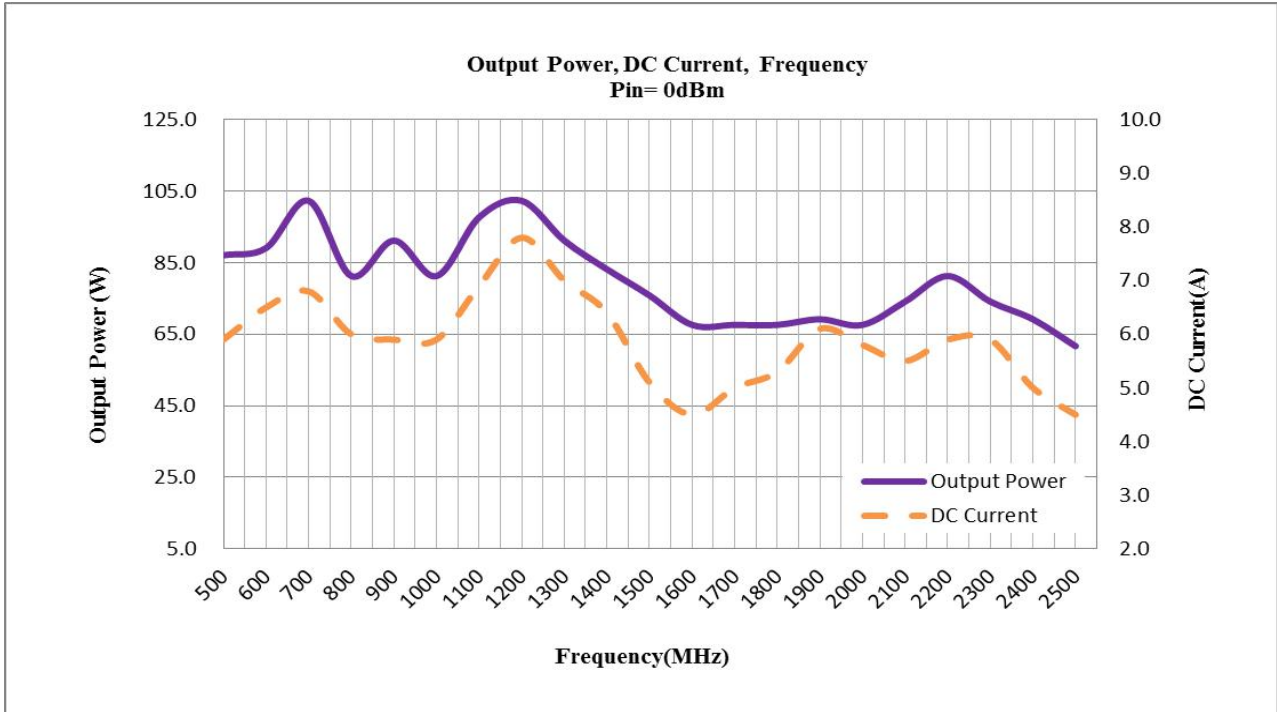
>> Email: sales@keylinkmw.com >> www.keylinkmw.com

Specifications subject to change without notice

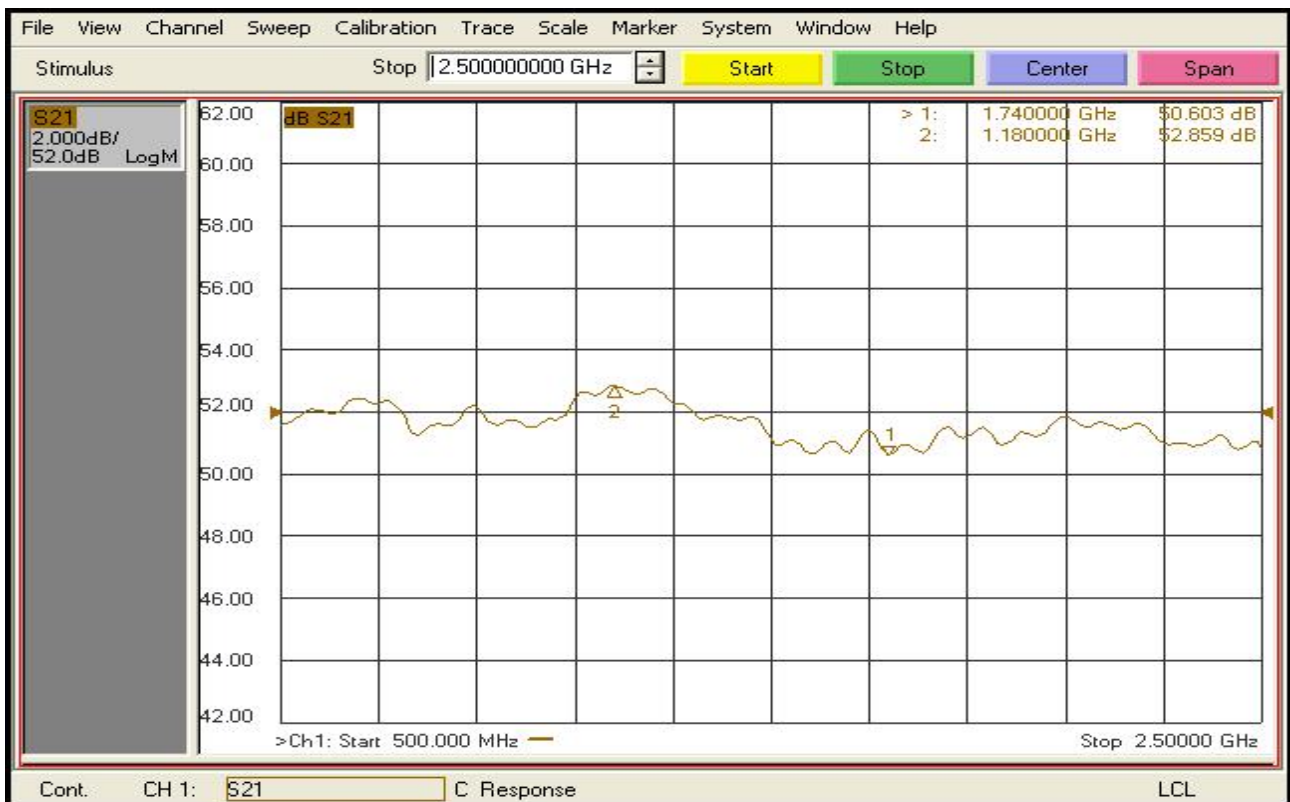
500-2500MHz/50Watt/Module

Model Number: KB0525M47A

Graph3: Output Power (Normal temp. +25±3 °C)



Power Gain:



Focus on Your Application

Chengdu KeyLink Microwave Technology Co., Ltd.

>> 5-2, Huidu Headquarters Park, High-Tech(West) Zone, Chengdu, 611731, P. R. China

>> Phone: +86(28)87870761*8708 >> Fax: +86(28)87883266

>> Email: sales@keylinkmw.com >> www.keylinkmw.com

Specifications subject to change without notice

500-2500MHz/50Watt/Module

Model Number: KB0525M47A

Input Return Loss:



Note: Adequate heatsink required.

Focus on Your Application

Chengdu KeyLink Microwave Technology Co., Ltd.

>> 5-2, Huidu Headquarters Park, High-Tech(West) Zone, Chengdu, 611731, P. R. China

>> Phone: +86(28)87870761*8708 >> Fax: +86(28)87883266

>> Email: sales@keylinkmw.com >> www.keylinkmw.com

Specifications subject to change without notice