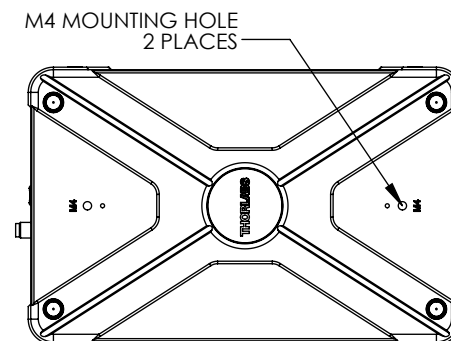
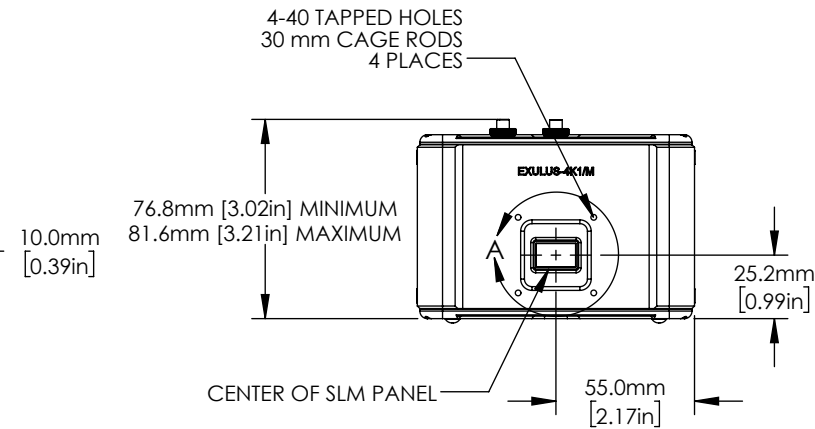
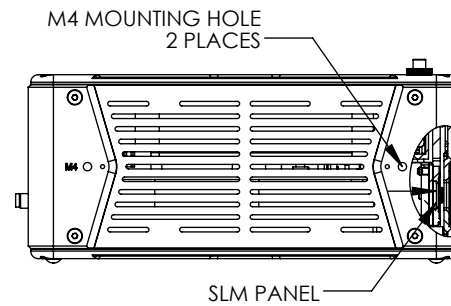
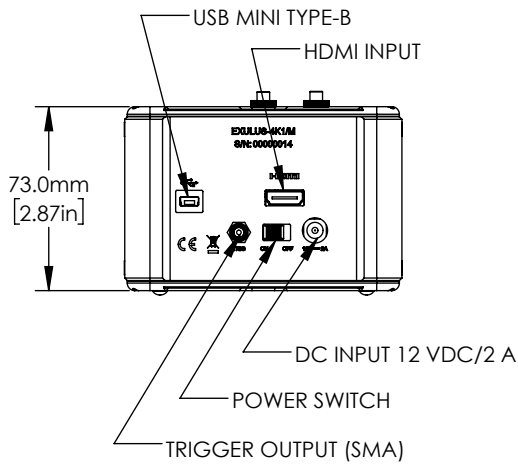
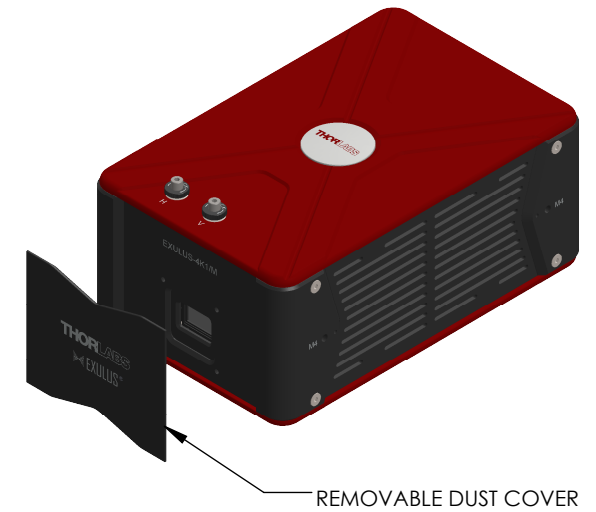
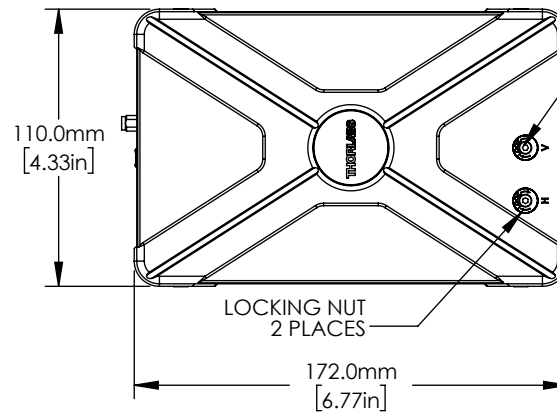


REMOVABLE ADJUSTER KNOB WITH 5/64" [2mm] HEX
3/16"-100 THREAD, 0.01"/REV [0.25mm/REV]
±3.2° TRAVEL RANGE IN HORIZONTAL AND VERTICAL DIRECTION
±2.4mm RANGE
2 PLACES



FOR INFORMATION ONLY
NOT FOR MANUFACTURING PURPOSES

DRAWING PROJECTION					THORLABS www.thorlabs.com	
NAME	DATE	2D SPATIAL LIGHT MODULATOR, 4K				
DRAWN	KC	22/Nov/2019	MATERIAL		REV C	
APPROVAL	SS	22/Nov/2019	N/A		ITEM #	
COPYRIGHT © 2019 BY THORLABS			EXULUS-4K1/M		APPROX WEIGHT	
VALUES IN PARENTHESIS ARE CALCULATED AND MAY CONTAIN ROUND OFF ERRORS					1.24 kg	