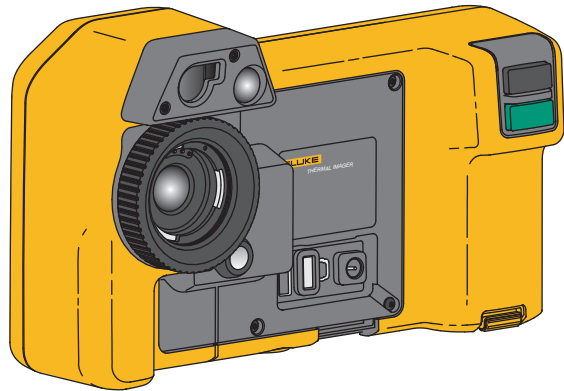




TiX500, TiX501, TiX520, TiX560, TiX580

Expert Series Thermal Imagers

www.fluke.com.
Fluke Connect™
<https://www.fluke.com/en-us/support/software-downloads/software-for-fluke-infrared-cameras>



PN 4574052 February 2015 Rev. 2, 4/19
© 2017-2019 Fluke Corporation. All rights reserved.
Apple and the Apple logo are trademarks of Apple Inc., registered in the U.S. and other countries and regions. App Store is a service mark of Apple Inc. Google Play, the Google Play logo, and Android are trademarks of Google LLC. All other trademarks are property of their respective owners.

Fluke Connect™ / WiFi



