

# Mako G

## G-040



- Power over Ethernet
- IEEE 1588 PTP
- Trigger over Ethernet
- Ultra-compact design

## GigE Vision camera featuring the Sony IMX287 CMOS sensor

Mako G-040 is a 0.40 megapixel GigE machine vision camera that incorporates the high quality Type 1/2.9 (6.3 mm diagonal) Sony IMX287 CMOS sensor. At full resolution, this camera runs 286 frames per second. With a smaller region of interest, higher frame rates are possible. The Mako G-040 is an ideal replacement for legacy CCD models.

Mako G cameras have an ultra-compact form factor and the same mounting positions as many analog cameras. All models include Power over Ethernet (PoE), three opto-isolated outputs, and a 64 MB image buffer. The image quality profits from the precisely aligned sensor. By default monochrome models ship with no optical filter and color models ship with IRC Hoya C-5000 IR cut filter.

### Benefits and features:

- Monochrome (G-040B) and color (G-040C) models
- GigE Vision interface with Power over Ethernet
- Screw mount RJ45 Ethernet connector for secure operation in industrial environments
- IEEE 1588 Precision Time Protocol (PTP) allows for easy synchronization of multiple cameras and devices on network
- Trigger over Ethernet (ToE) Action Commands allow for a single cable solution to reduce system costs
- Supports cable lengths up to 100 meters (CAT-5e or CAT-6)
- Comprehensive I/O functionality for simplified system integration
- Popular C-Mount lens mount
- Easy camera mounting via standard M3 threads on top and bottom of housing or optional tripod adapter
- Easy software integration with Allied Vision's [Vimba SDK](#) and compatibility to the most popular [third party image-processing libraries](#).
- Available with protection glass, IR cut filter, or IR pass filter



See the [Modular Concept](#) for lens mount and optical filter options.  
 See the [Customization and OEM Solutions](#) webpage for additional options.

## Specifications

<b>Mako G</b>	<b>G-040</b>
Interface	IEEE 802.3 1000BASE-T, IEEE 802.3af (PoE)
Resolution	728 (H) × 544 (V)
Sensor	Sony IMX287
Sensor type	CMOS
Shutter mode	Global shutter
Sensor size	Type 1/2.9
Pixel size	6.90 μm × 6.90 μm
Lens mounts (available)	C-Mount, CS-Mount, M12-Mount
Max. frame rate at full resolution	286 fps
ADC	12 Bit
Image buffer (RAM)	64 MByte
<b>Imaging performance</b>	
Imaging performance data is based on the evaluation methods in the EMVA 1288 Release 3.1 standard for characterization of image sensors and cameras. Measurements are typical values for monochrome models measured at full resolution without optical filter. Contact Sales or AE for more information.	
Quantum efficiency at 529 nm	64 %
Temporal dark noise	3.2 e <sup>-</sup>
Saturation capacity	21200 e <sup>-</sup>
Dynamic range	74.4 dB
Absolute sensitivity threshold	4.1 e <sup>-</sup>
<b>Output</b>	
Bit depth	12 Bit
Monochrome pixel formats	Mono8, Mono12, Mono12Packed
YUV color pixel formats	YUV411Packed, YUV422Packed, YUV444Packed
RGB color pixel formats	RGB8Packed, BGR8Packed
Raw pixel formats	BayerRG8, BayerRG12, BayerRG12Packed
<b>General purpose inputs/outputs (GPIOs)</b>	
Opto-isolated I/Os	1 input, 3 outputs
<b>Operating conditions/dimensions</b>	
Operating temperature	+5 °C to +45 °C housing temperature
Power requirements (DC)	12 to 24 VDC AUX or 802.3at Type 1 PoE
Power consumption	2.43 W at 12 VDC; 2.69 W PoE
Mass	80 g (with C-Mount)

## Mako G

Body dimensions (L × W × H in mm)

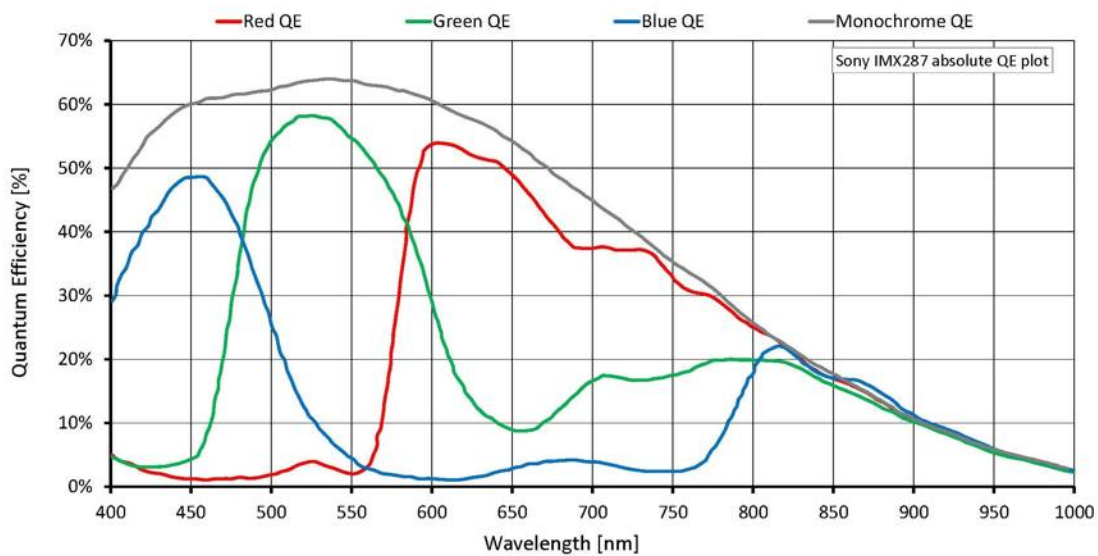
Regulations

## G-040

60.5 × 29.2 × 29.2 (including connectors)

CE: 2014/30/EU (EMC), 2011/65/EU, including amendment 2015/863/EU (RoHS); FCC Class B; CAN ICES-003

## Quantum efficiency



## Features

### Image optimization features:

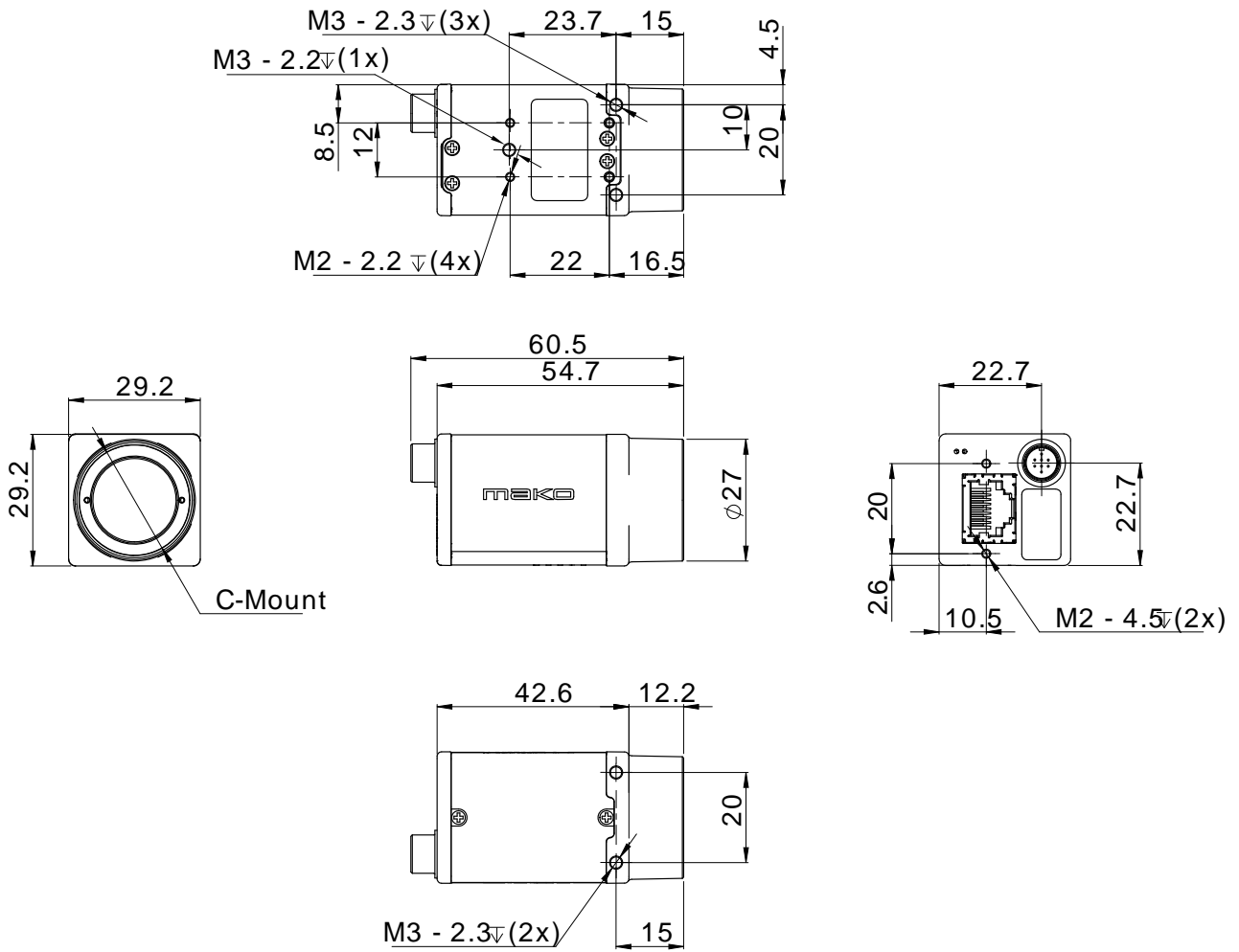
- Auto gain (manual gain control: 0 to 40 dB; 0.1 dB increments)
- Auto exposure (exposure time control varies by pixel format)
- Auto white balance (G-040C only)
- Binning
- Color transformation, hue, saturation (G-040C only)
- Decimation
- Gamma correction
- One look-up table (LUT)
- Region of interest (ROI), separate ROI for auto features



## Camera control features:

- Event channel
- Image chunk data
- IEEE 1588 Precision Time Protocol (PTP)
- Storable user sets
- StreamBytesPerSecond (bandwidth control)
- Stream hold
- Sync out modes: Trigger ready, input, exposing, readout, imaging, strobe, GPO
- Temperature monitoring (main board)
- Trigger over Ethernet (ToE) Action Commands

## Technical drawing





## Applications

Mako G-040 is suitable for a wide range of applications including:

- Robotics
- Quality control
- Inspection, surveillance
- Industrial imaging
- Machine vision
- Logistics