



Pirani/Cold Cathode Gauge MPT 200 ($5 \cdot 10^{-9}$ – 1000 hPa)

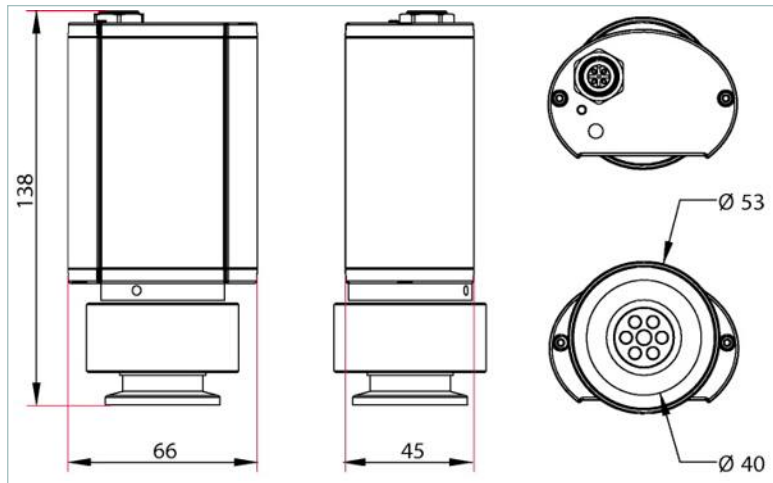
The MPT 200 gauge affords accurate measurements from ultra high vacuum to atmospheric pressure. With its rugged metallic case and numerous interface options it is particularly suited for industrial applications.



MPT 200, DN 25 ISO-KF, RS-485

- $5 \cdot 10^{-9}$ to 1000 hPa
- Insensitive to gas inrush
- Customizable to vacuum application
- Profibus DP Interface (optional)
- DeviceNet Interface (optional)
- Analog output and set points (optional)

Dimensions



DN 1 DN 25 ISO-KF

Technical Data	MPT 200, DN 25 ISO-KF, RS-485
Accuracy: % of measurement	$1 \cdot 10^{-8} - 2 \cdot 10^{-3}$ hPa: $\pm 25\%$, $2 \cdot 10^{-3} - 10$ hPa: $\pm 10\%$, $10 - 100$ hPa: $\pm 30\%$; $100 - 1000$ hPa: $\pm 50\%$
Bakeout temperature max. at the flange	180 °C 356 °F 453 K
Cold cathode sensor control	Cold cathode sensor can be switched on and off via interface
Flange (in)	DN 25 ISO-KF
Interface: Connection	Digital RS-485; M12 f, 5-pole
Materials in contact with media	Tungsten, stainless steel, nickel, molybdenum, glass
Measurement range max.	1,000 hPa 750 Torr 1,000 mbar
Measurement range min.	$5 \cdot 10^{-9}$ hPa $3.75 \cdot 10^{-9}$ Torr $5 \cdot 10^{-9}$ mbar
Measuring cycle	10 ms
Method of measurement	Pirani/Cold cathode
Pressure max.	4,000 hPa 3,000 Torr 4,000 mbar
Protection category	IP 54
Repeatability: % of measurement	$1 \cdot 10^{-8} - 1 \cdot 10^{-2}$ hPa: $\pm 7\%$; $1 \cdot 10^{-2} - 10$ hPa: $\pm 2\%$
Seal	Metal
Sensor cable length max.	100 m
Supply: Voltage	24 V DC
Temperature: Operating	5-60 °C 41-140 °F 278-333 K
Temperature: Storage	-40-65 °C -40-149 °F 233-338 K
Weight	555 g

Order number

Pirani/Cold Cathode Gauge MPT 200 ($5 \cdot 10^{-9} - 1000$ hPa)

PTR40140

Accessories	
Adapter and power switching components	
Adapter RS-485, M12, 4-pole - D-sub socket, 9-pole, 0.2 m	PT348133-T
Bus termination for RS-485, M12	PT348105-T
Connection cable, RS-485, M12/D-sub 9-pole, 3 m	PT348223-T
Connector M12 to RS-485	PM061270-X
M12 m plug 4-pole with screw terminals RS-485	PT348106-T
Power separator RS-485, M12	PT348132-T
General accessories	
Interface cable, M12 m straight / M12 m straight, 3 m	PM061283-T
USB converter to RS-485 interface	PM061207-T
Y-Connector M12 to RS-485	P4723010
Mains- and supply cables	
Supply cable DigiLine, M12, 4-pole to TPS, 3 m	PT348163-T
Power supplies, control displays and drive units	
TPS 110, mains pack for wall/standard rail fitting	PM061340-T
TPS 111, mains pack 19" rack module 3HU	PM061344-T
Soft- and Firmware	
DokuStar Plus software, 16 channels	PT882501

**Vacuum solutions
from a single source**

Pfeiffer Vacuum stands for innovative and custom vacuum solutions worldwide, technological perfection, competent advice and reliable service.

**Complete range
of products**

From a single component to complex systems: We are the only supplier of vacuum technology that provides a complete product portfolio.

**Competence in
theory and practice**

Benefit from our know-how and our portfolio of training opportunities! We support you with your plant layout and provide first-class on-site service worldwide.

**Are you looking for a
perfect vacuum solution?
Please contact us:**

Pfeiffer Vacuum GmbH
Headquarters · Germany
T +49 6441 802-0
info@pfeiffer-vacuum.de
www.pfeiffer-vacuum.com

BLM Synergie
Russia, Kolodeznyi per.3 str.26 office 212
T +7 495 781-39-39
vacuum@blms.ru
www.blms.ru