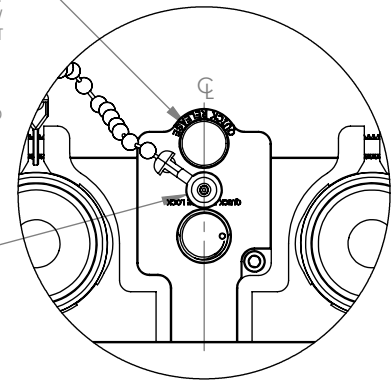


QUICK RELEASE BUTTON DEPRESS TO DISCONNECT FROM LEAD SCREW FOR COARSE ADJUSTMENT



**FOR INFORMATION ONLY  
NOT FOR MANUFACTURING PURPOSES**

DRAWING PROJECTION

	NAME	DATE
DRAWN	AV	10/SEP/15
APPROVAL	JC	11/SEP/15

**COPYRIGHT © 2015 BY THORLABS**

VALUES IN PARENTHESIS ARE CALCULATED AND MAY CONTAIN ROUND OFF ERRORS

**THORLABS**  
www.thorlabs.com

METRIC VERTICAL ADJUSTMENT PLATFORM 4in TRAVEL		
MATERIAL	N/A	REV D
ITEM #	VAP4/M	APPROX WEIGHT 3.9 kg