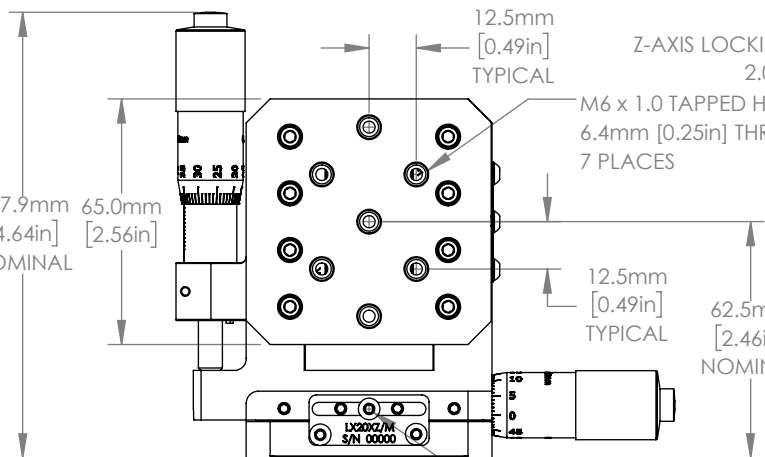
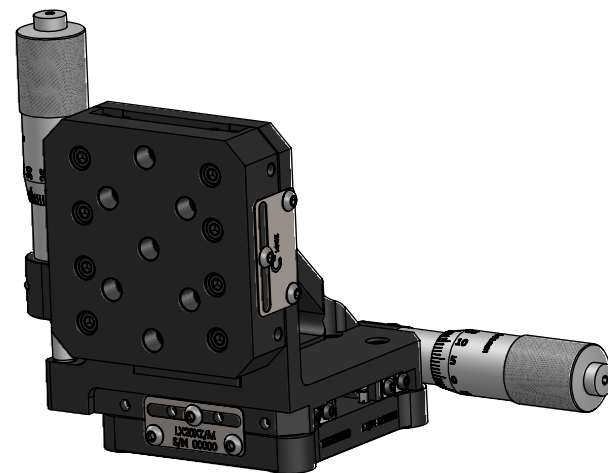


MICROMETER
LOCKING SCREW
2mm [5/64in] HEX
2 PLACES

REMOVABLE MICROMETER HEAD
150-801ME-H (INCLUDED)
±12.5mm RANGE
2 PLACES



12.5mm
[0.49in]
TYPICAL

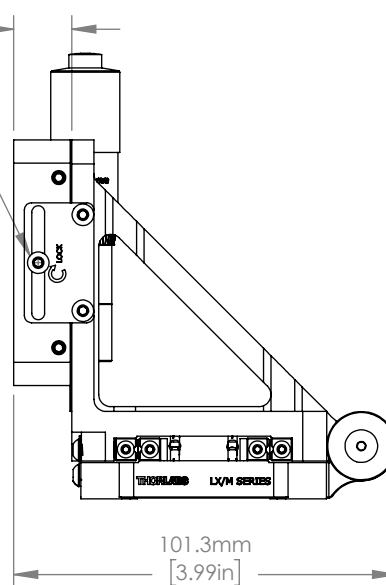
Z-AXIS LOCKING PLATE SCREW
2.0mm [5/64in] HEX

M6 x 1.0 TAPPED HOLE
6.4mm [0.25in] THREAD DEPTH
7 PLACES

12.5mm
[0.49in]
TYPICAL

62.5mm
[2.46in]
NOMINAL

15.4mm
[0.61in]



101.3mm
[3.99in]
NOMINAL

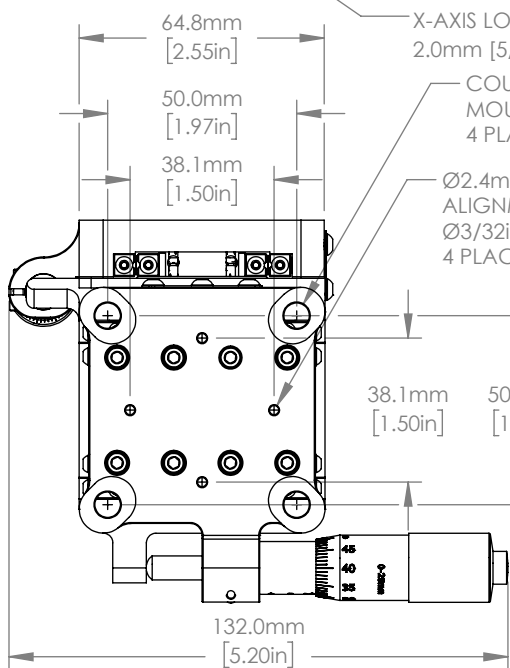
X-AXIS LOCKING PLATE SCREW
2.0mm [5/64in] HEX

COUNTERBORE FOR M6 [1/4-20]
MOUNTING SCREWS 7.0mm [0.275in] DEEP
4 PLACES

Ø2.4mm [Ø0.095in] 3.2mm [0.125in] DEEP
ALIGNMENT HOLES FOR USE WITH
Ø3/32in DOWEL PINS (NOT INCLUDED)
4 PLACES

38.1mm
[1.50in]

50.0mm
[1.97in]



132.0mm
[5.20in]
NOMINAL

FOR INFORMATION ONLY
NOT FOR MANUFACTURING PURPOSES

DRAWING PROJECTION			THORLABS www.thorlabs.com 25mm X/Z METRIC CROSSED ROLLER BEARING STAGE	
NAME	DATE			
DRAWN	BDP	12/DEC/19	MATERIAL	REV A
APPROVAL	MJM	01/JUN/20	N/A	
COPYRIGHT © 2020 BY THORLABS			ITEM #	APPROX WEIGHT
VALUES IN PARENTHESIS ARE CALCULATED AND MAY CONTAIN ROUND OFF ERRORS			LX20XZ/M	0.74kg