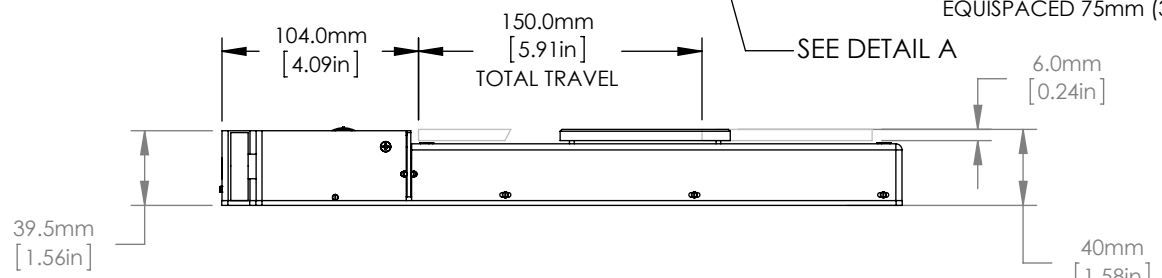
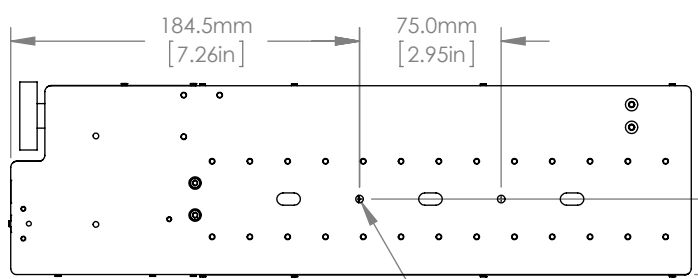


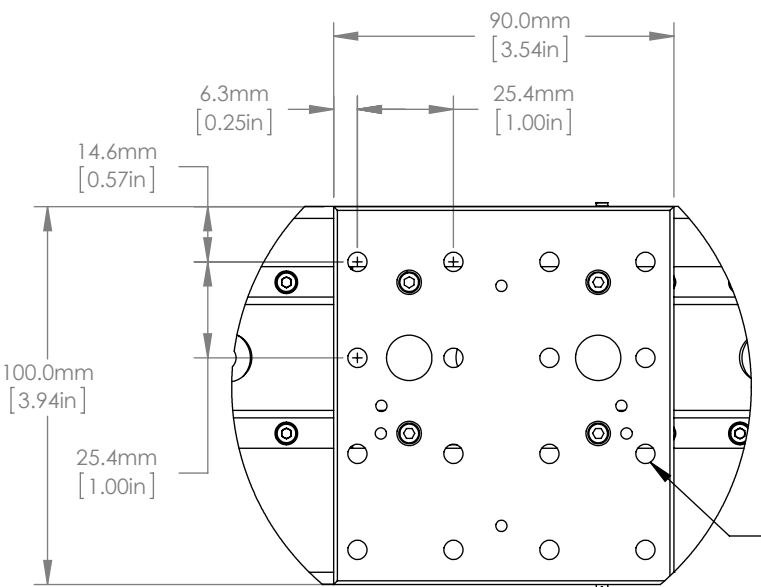
3 SLOTTED HOLES FOR M6 (1/4"-20 UNC) BOLTS EQUISPACED 75mm (3") APART



SEE DETAIL A



2 OFF DOWEL HOLES  $\phi$  4.0mm [0.16in]



16 OFF M6 (1/4"-20 UNC) THRO HOLES EQUISPACED 25mm (1 INCH FOR IMP) PITCHES

DETAIL A  
SCALE 1 : 2

FOR INFORMATION ONLY  
NOT FOR MANUFACTURING PURPOSES

DRAWING PROJECTION		
NAME	DATE	
DRAWN	KBS	05/19/2009
APPROVAL		
COPYRIGHT © 2011 BY THORLABS		
VALUES IN PARENTHESIS ARE CALCULATED AND MAY CONTAIN ROUND OFF ERRORS		

<b>THORLABS</b> www.thorlabs.com	
<b>LTS150 LONG TRAVEL STAGE</b>	
MATERIAL	REV 2
ITEM #	APPROX WEIGHT
LTS150	2 kg